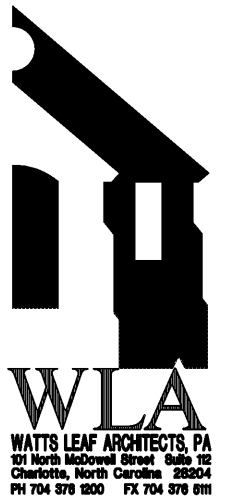
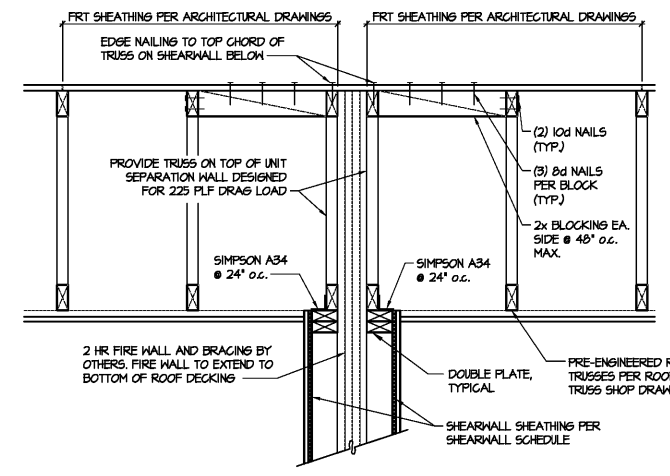




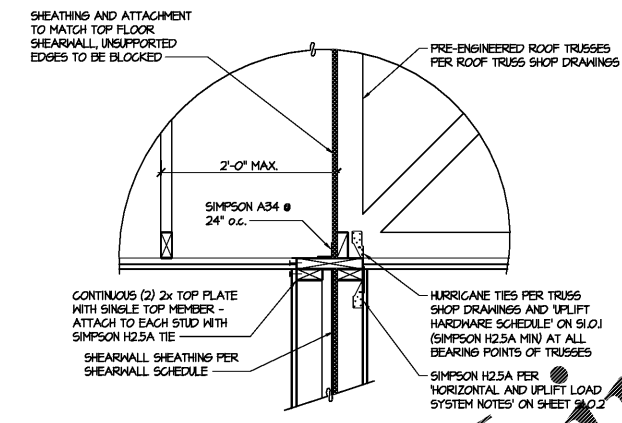
Structural Consulting Group, LLC
 6250 shiloh road • suite 20 • alpharetta, ga 30005
 phone (678) 513-4242 fax (678) 513-4232
 SCG Project No. 191003
 N.C. C.O.A.: P-0573



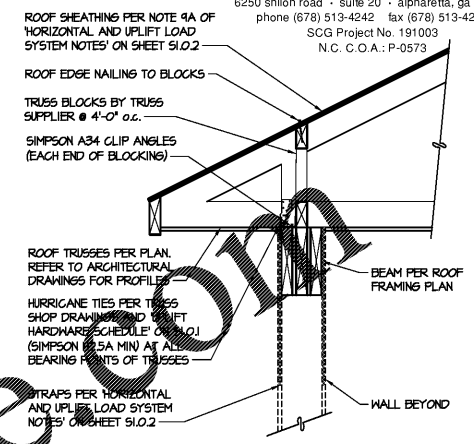
WLA
 WATTS LEAF ARCHITECTS, PA
 371 North McDowell Street, Suite 112
 Charlotte, North Carolina 28204
 PH 704 376 1500 FX 704 376 0100



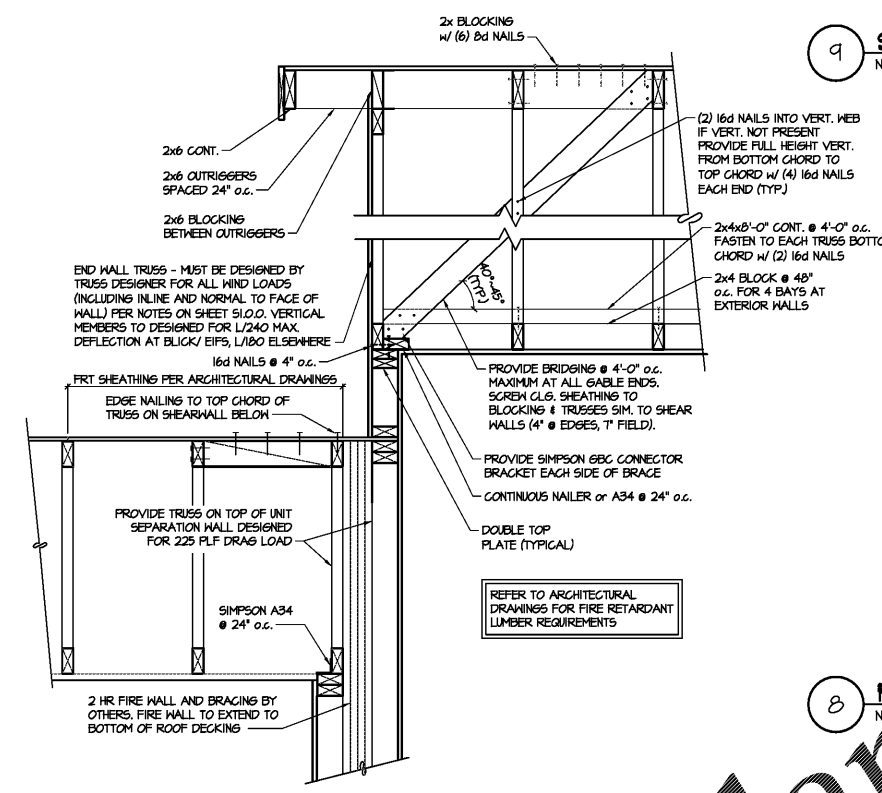
9 SECTION AT FIREWALL
 NOT TO SCALE



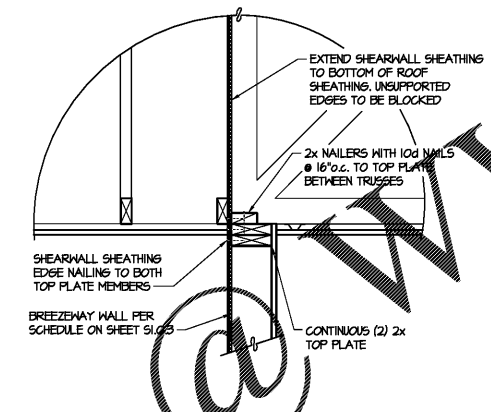
6 SECTION AT DEMISING WALL
 NOT TO SCALE



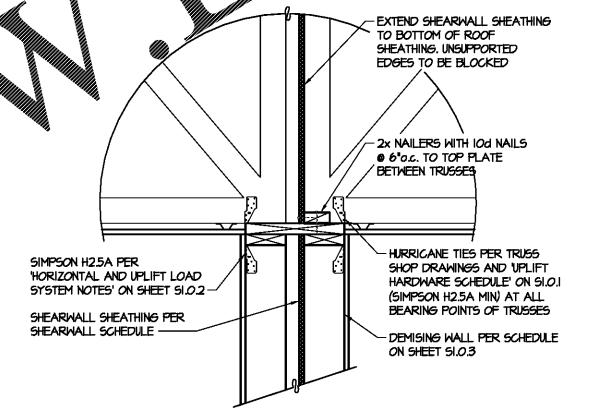
3 ROOF TRUSS TO BEAM
 NOT TO SCALE



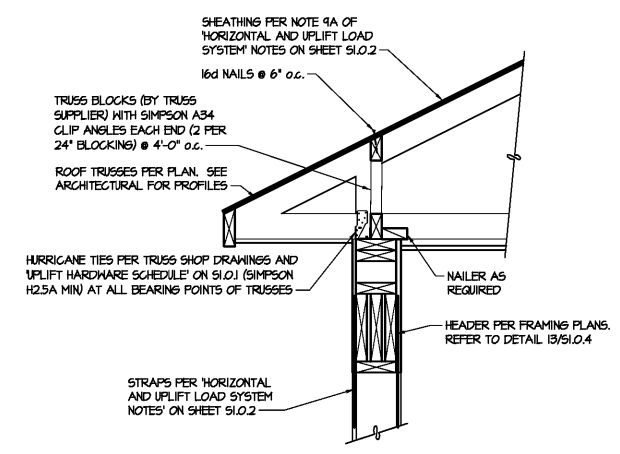
11 SECTION AT FIREWALL
 NOT TO SCALE



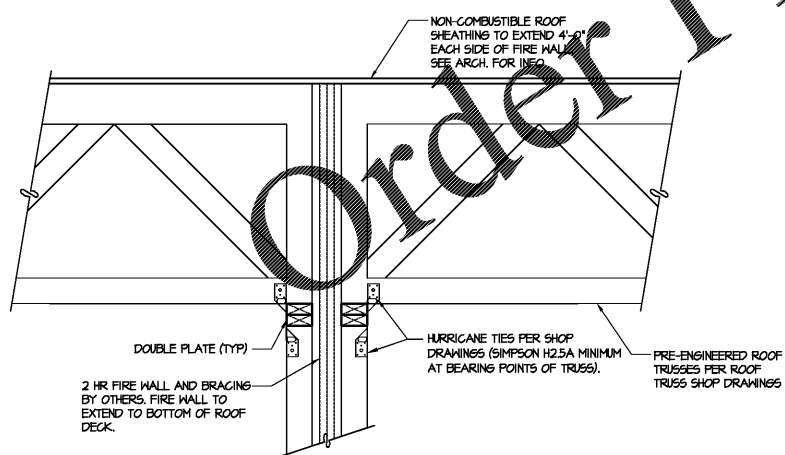
8 ROOF SECTION @ BEARING WALL
 NOT TO SCALE



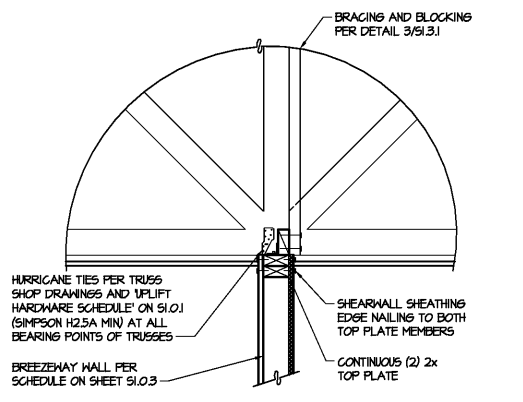
5 PERPENDICULAR SHEARWALL TO TRUSS
 NOT TO SCALE



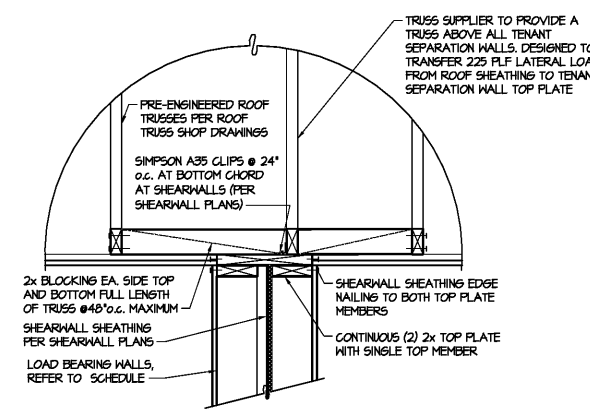
2 ROOF TRUSS TO HEADER
 NOT TO SCALE



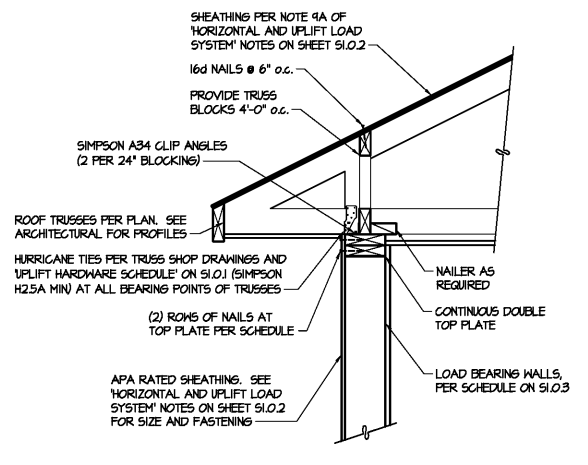
10 SECTION AT FIREWALL
 NOT TO SCALE



7 PERPENDICULAR SHEARWALL TO TRUSS
 NOT TO SCALE



4 SECTION AT DOUBLE SEPARATION
 NOT TO SCALE



1 ROOF TRUSS TO WALL
 NOT TO SCALE

CRABTREE NORTH APTS.
 2251 Charles Drive
 Raleigh, North Carolina
 EYC COMPANIES

03FEB20
 PRICING
 SET

PROJECT 1015
 DATE 06NOV19
 DRAWN BY SCG
 CHECKED BY F80

ROOF FRAMING
 SECTIONS

S1.3.0