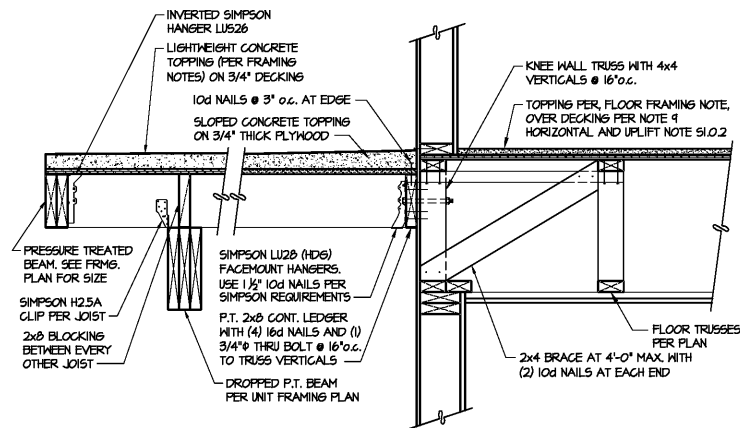
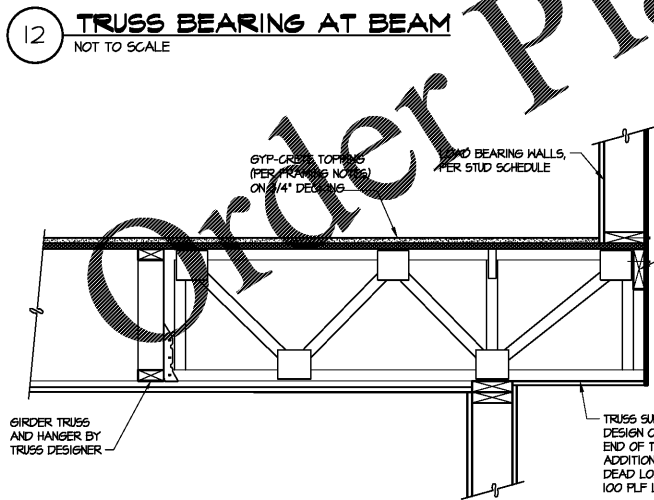


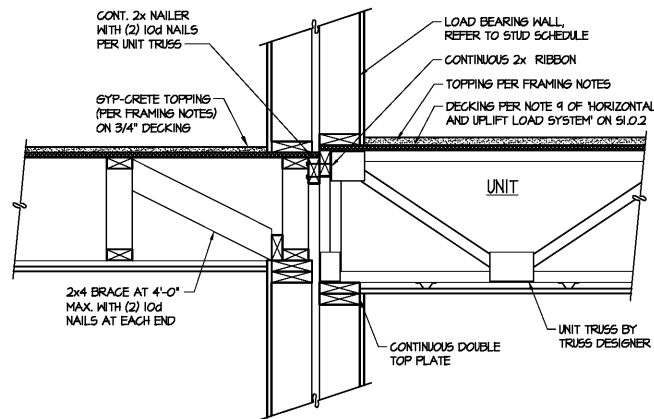
14 BEAM BEARING AT TRUSS
NOT TO SCALE



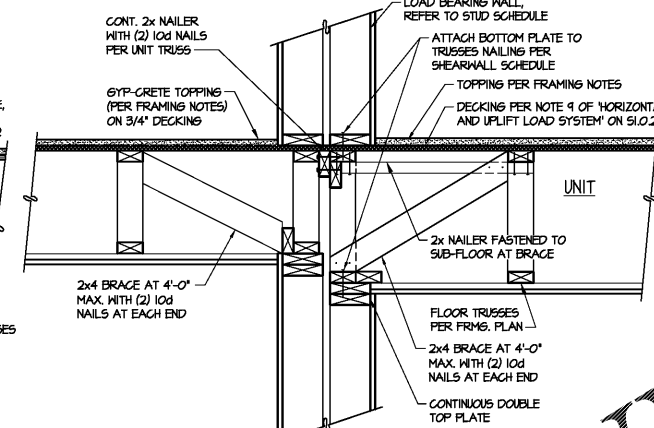
13 SECTION AT CANTILEVER BALCONY
NOT TO SCALE



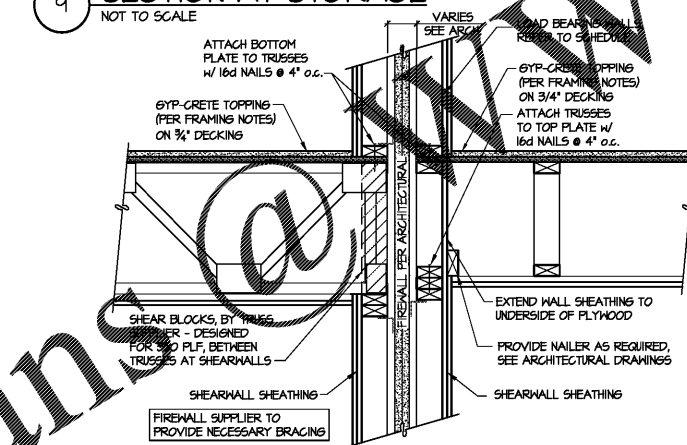
12 TRUSS BEARING AT BEAM
NOT TO SCALE



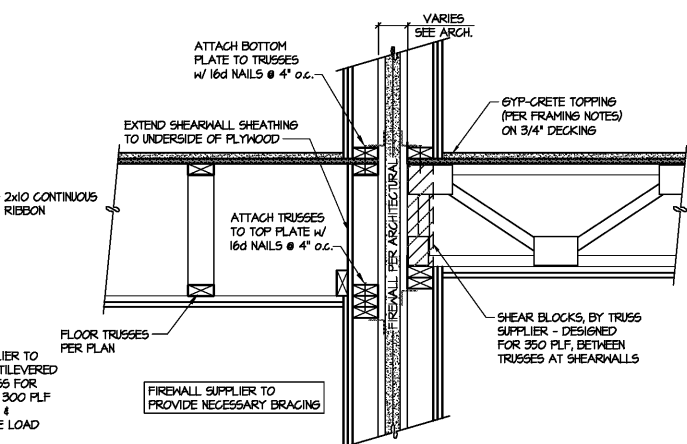
10 SECTION AT STORAGE
NOT TO SCALE



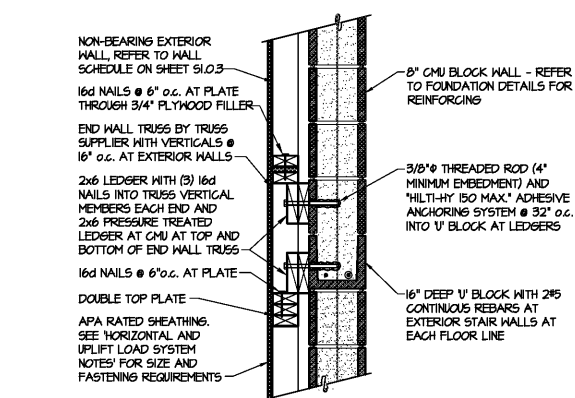
9 SECTION AT STORAGE
NOT TO SCALE



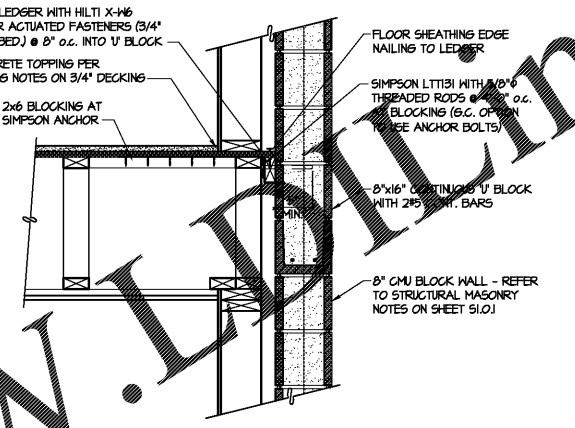
8 SECTION AT FIREWALL
NOT TO SCALE



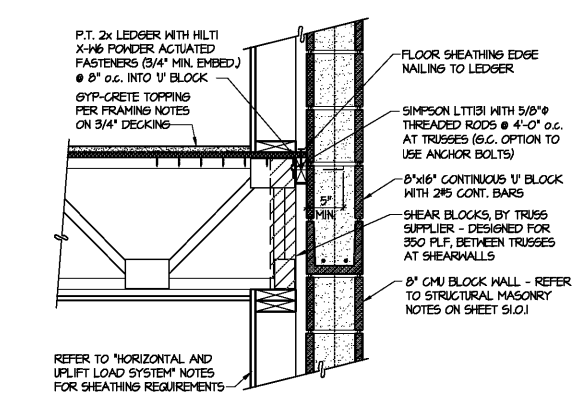
7 SECTION AT FIREWALL
NOT TO SCALE



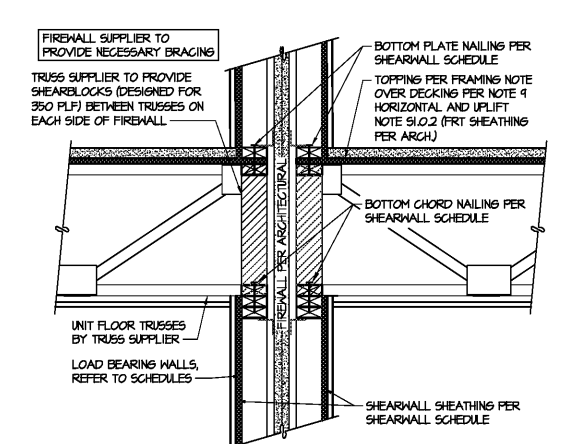
6 EXTERIOR WALL SECTION AT STAIR
NOT TO SCALE



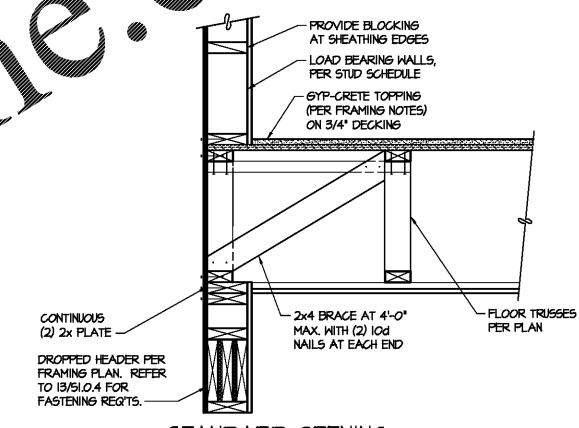
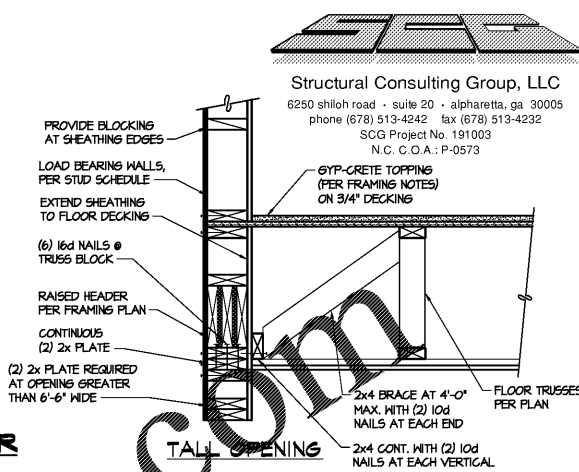
5 SECTION AT MASONRY WALL
NOT TO SCALE



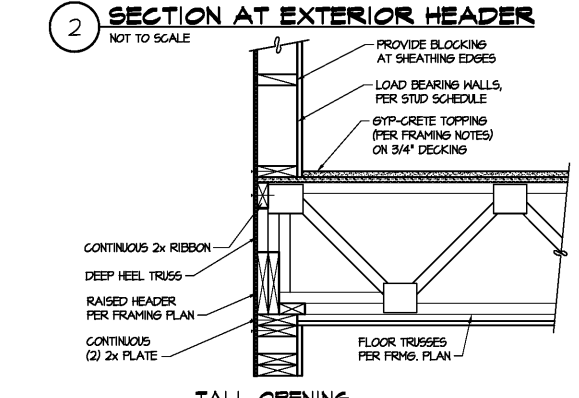
4 SECTION AT MASONRY WALL
NOT TO SCALE



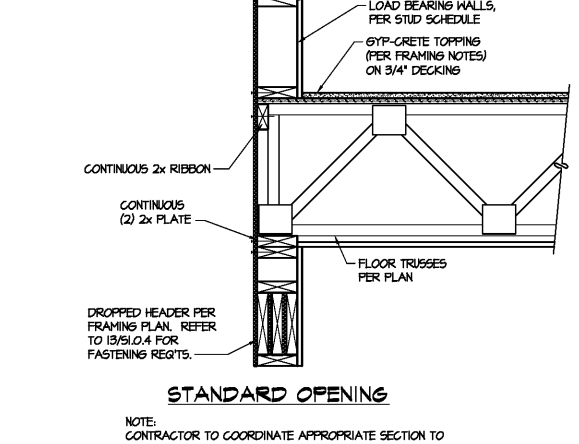
3 SECTION AT FIREWALL
NOT TO SCALE



2 SECTION AT EXTERIOR HEADER
NOT TO SCALE



1 SECTION AT EXTERIOR HEADER
NOT TO SCALE



1 SECTION AT EXTERIOR HEADER
NOT TO SCALE

Structural Consulting Group, LLC
6250 shiloh road - suite 20 - alpharetta, ga 30005
phone (678) 513-4242 fax (678) 513-4232
SCG Project No. 191003
N.C. C.O.A.: P-0573

WLA
WATTS LEAF ARCHITECTS, PA
371 North McDowell Street, Suite 112
Charlotte, North Carolina 28204
PH 704 376 1300 FX 704 376 0811

CRABTREE NORTH APTS.
2251 Charles Drive
Raleigh, North Carolina
EYC COMPANIES

03FEB20
PRICING
SET
PROJECT 1015
DATE 06NOV19
DRAWN BY SCG
CHECKED BY F80
FLOOR FRAMING
SECTIONS
S1.2.1