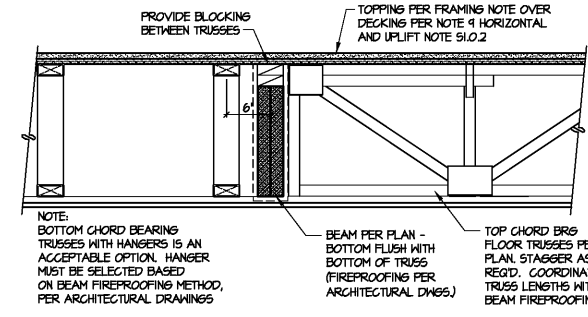
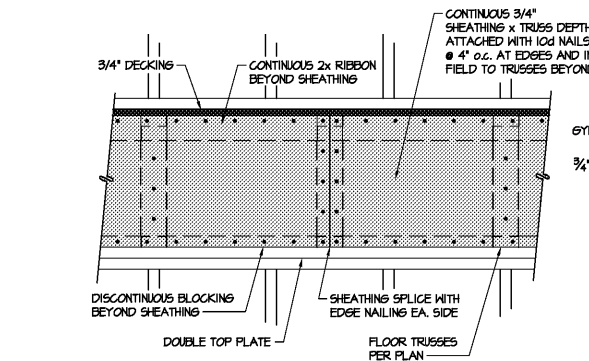


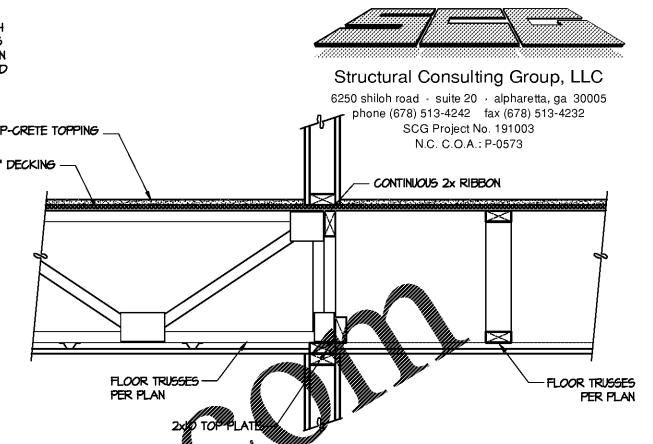
16 SECTION AT BALCONY WALL
NOT TO SCALE



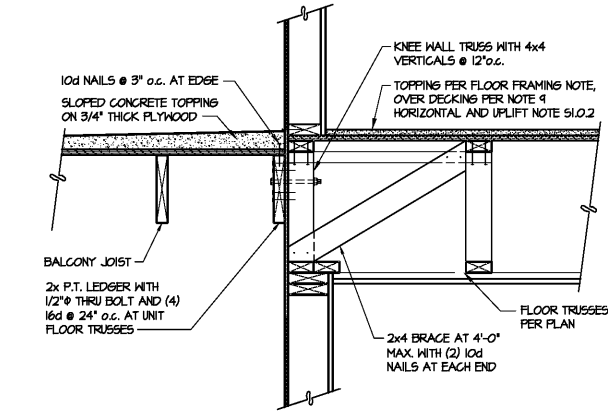
12 TRUSS BEARING AT BEAM
NOT TO SCALE



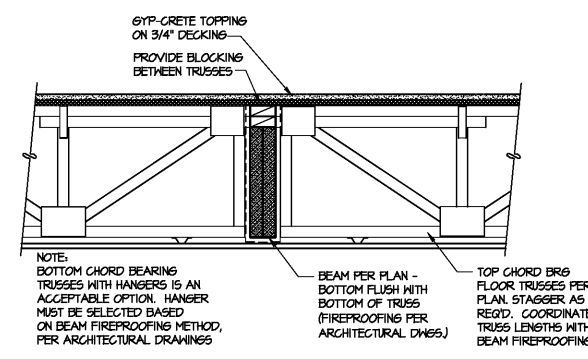
8 SECTION AT TENANT SEPARATION SHEAR PANEL
NOT TO SCALE



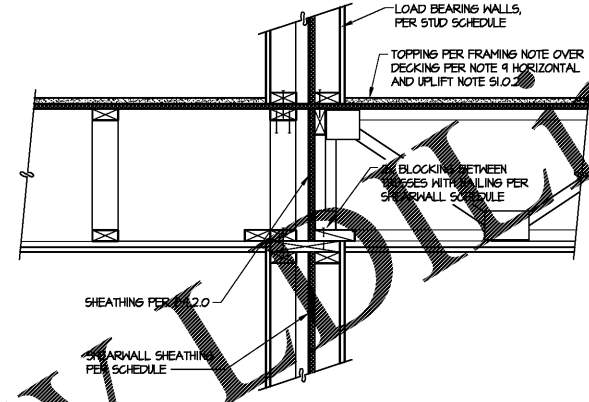
4 SECTION AT TRUSS BEARING
NOT TO SCALE



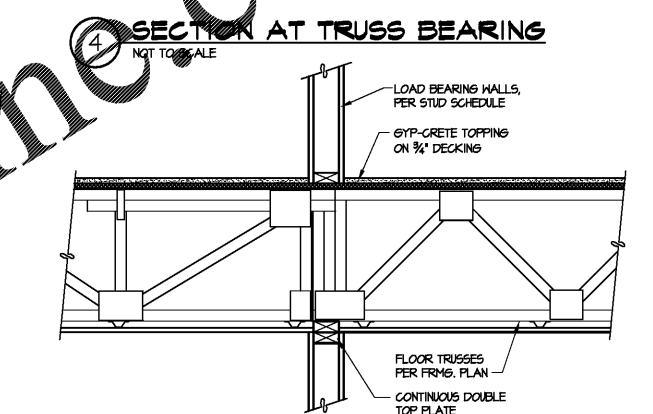
15 SECTION AT BALCONY WALL
NOT TO SCALE



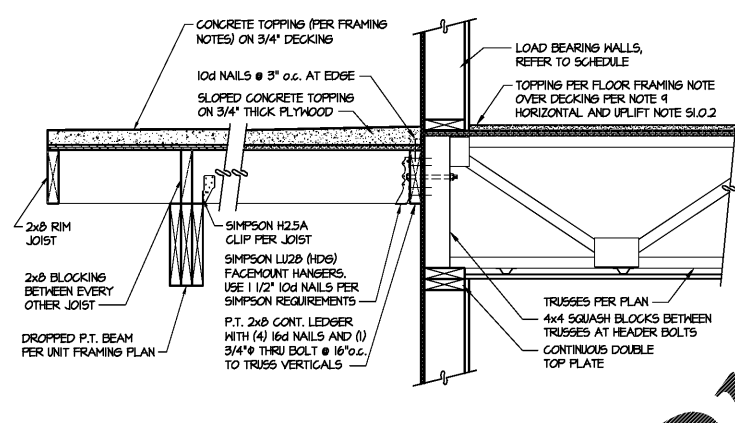
11 TRUSS BEARING AT BEAM
NOT TO SCALE



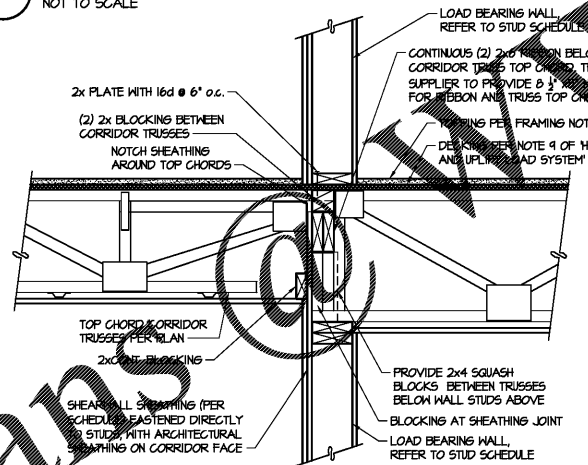
7 SECTION AT TENANT SEPARATION WALLS
NOT TO SCALE



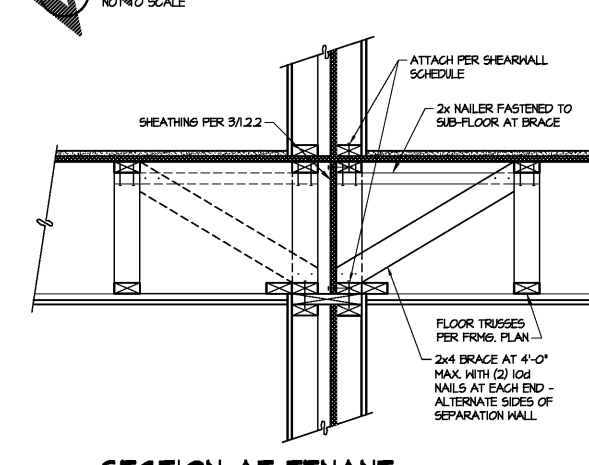
3 TRUSS BEARING AT INTERIOR WALL
NOT TO SCALE



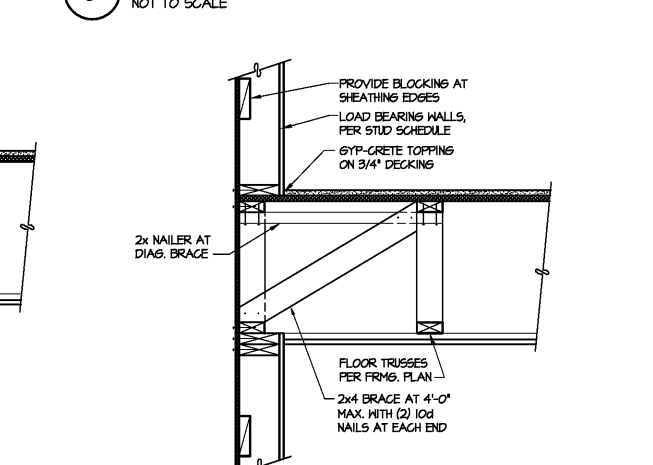
14 SECTION AT CANTILEVER BALCONY
NOT TO SCALE



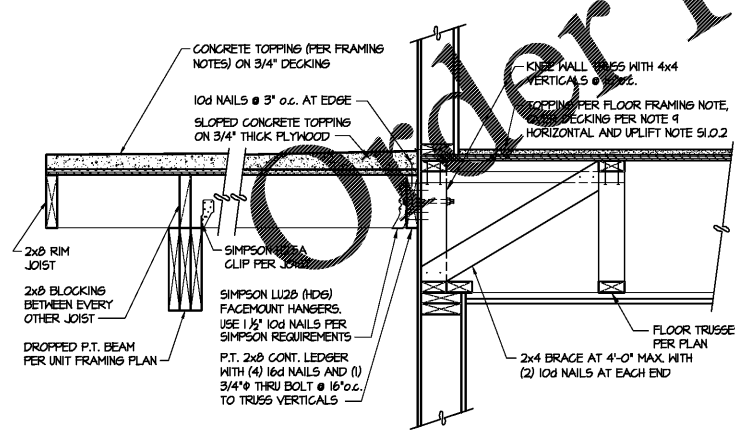
10 SECTION AT BREEZEWAY
NOT TO SCALE



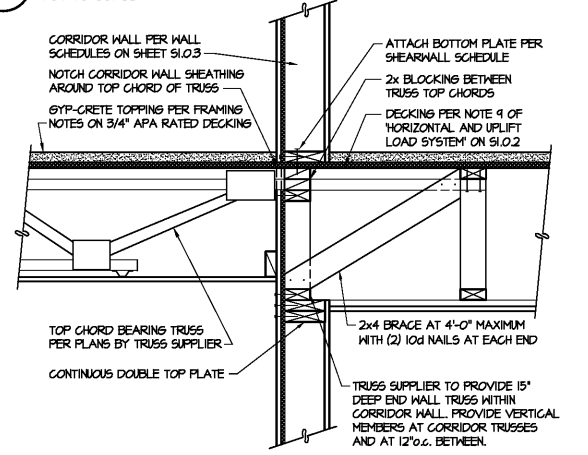
6 SECTION AT TENANT SEPARATION WALLS
NOT TO SCALE



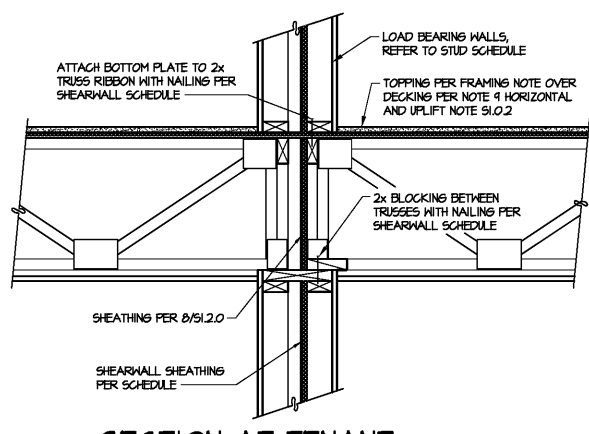
2 EXTERIOR WALL SECTION
NOT TO SCALE



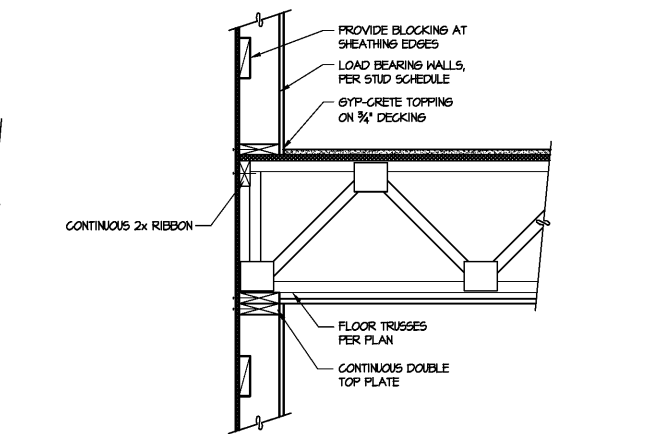
13 SECTION AT CANTILEVER BALCONY
NOT TO SCALE



9 SECTION AT BREEZEWAY
NOT TO SCALE



5 SECTION AT TENANT SEPARATION WALLS
NOT TO SCALE



1 EXTERIOR WALL SECTION
NOT TO SCALE

Structural Consulting Group, LLC
6250 shiloh road - suite 20 - alpharetta, ga 30005
phone (678) 513-4242 fax (678) 513-4232
SCG Project No. 191003
N.C. C.O.A. : P-0573

WLA
WATTS LEAF ARCHITECTS, PA
371 North McDowell Street Suite 102
Charlotte, North Carolina 28204
PH 704 376 1200 FX 704 376 6011

CRABTREE NORTH APTS.
2251 Charles Drive
Raleigh, North Carolina
EYC COMPANIES

03FEB20
PRICING SET
PROJECT 1015
DATE 08NOV19
DRAWN BY SCG
CHECKED BY F80
FLOOR FRAMING SECTIONS
S1.2.0