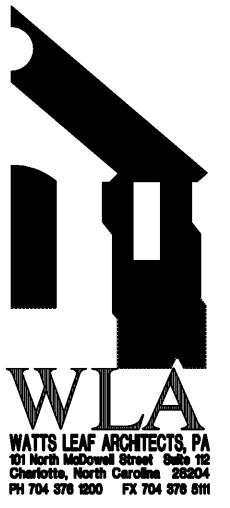
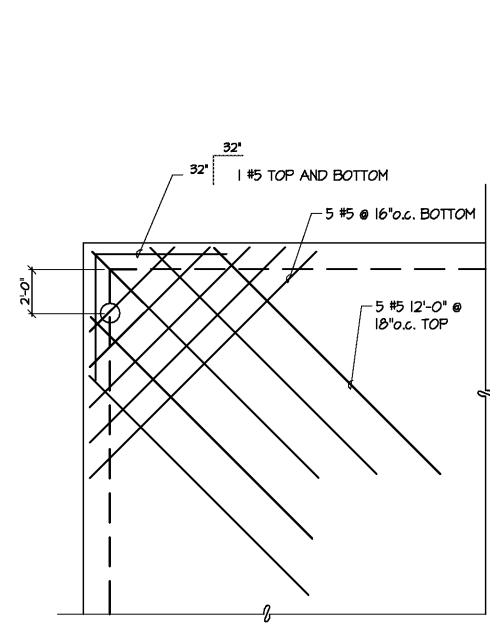




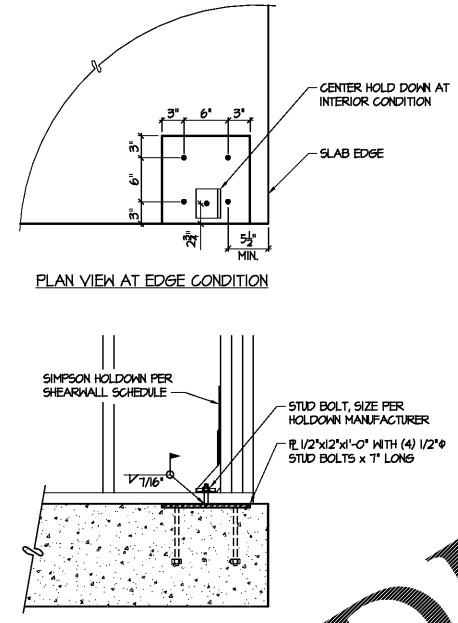
Structural Consulting Group, LLC
 6250 shiloh road - suite 20 - alpharetta, ga 30005
 phone (678) 513-4242 fax (678) 513-4232
 SCG Project No. 191003
 N.C. C.O.A. : P-0573



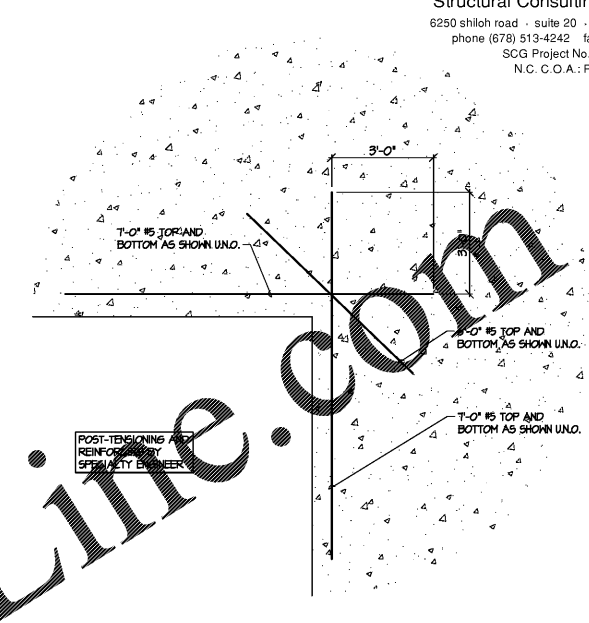
WLA
 WATTS LEAF ARCHITECTS, PA
 371 North McDowell Street, Suite 102
 Charlotte, North Carolina 28204
 PH 704 376 1200 FX 704 376 6111



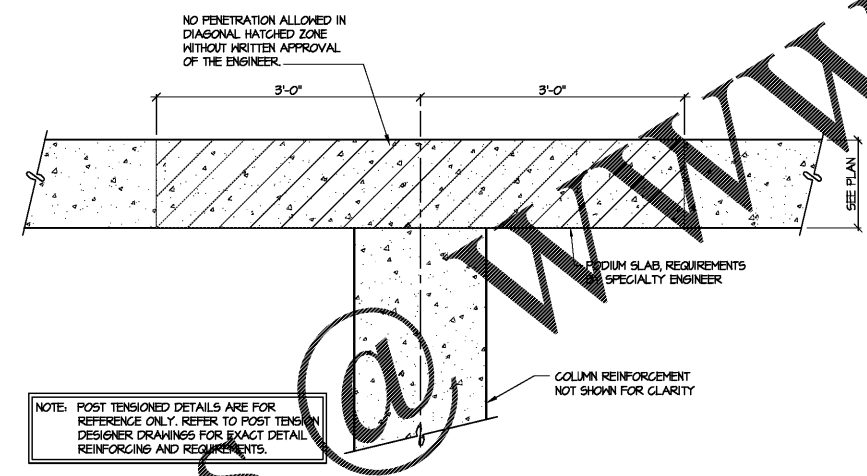
7 TRIM BARS AT SUPPORTED SLAB EDGES
 NOT TO SCALE



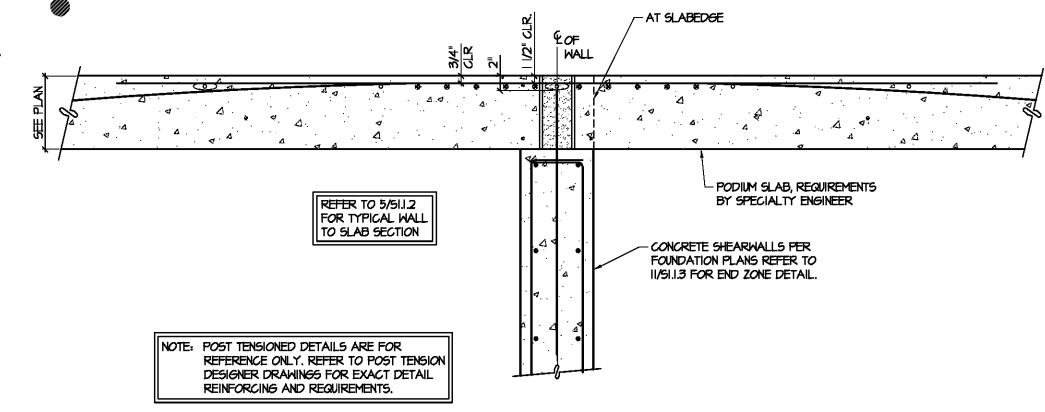
6 SHEARWALL HOLDOWN AT FT. SLAB
 NOT TO SCALE



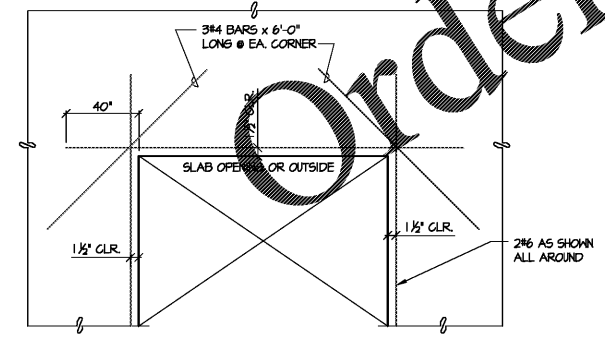
3 TRIM BARS AT PRE-ENTRANT CORNERS
 NOT TO SCALE



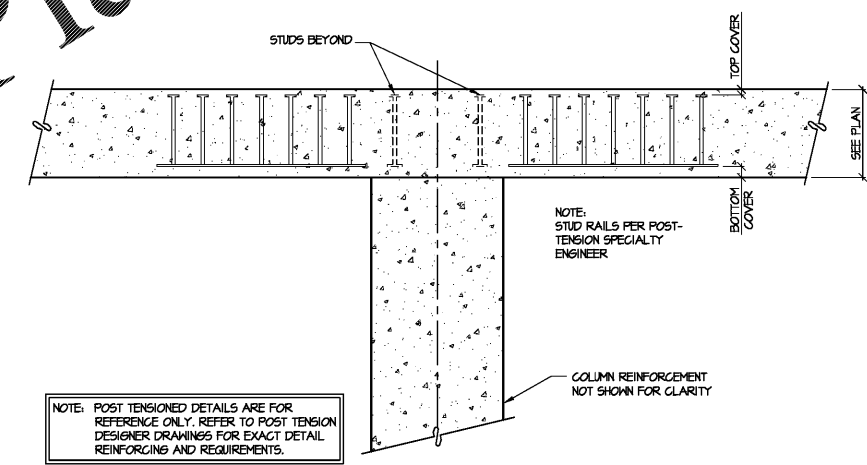
5 SECTION AT CONCRETE COLUMN
 NOT TO SCALE



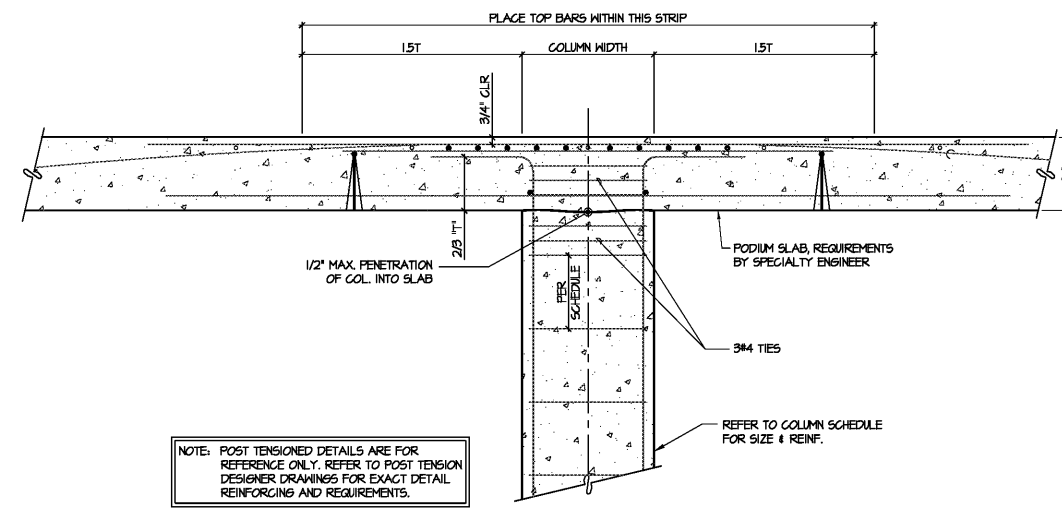
2 SECTION AT CONCRETE SHEARWALL
 NOT TO SCALE



8 TYPICAL OPENING DETAIL
 NOT TO SCALE



4 SECTION AT SHEAR STUD RAIL
 NOT TO SCALE



1 SECTION AT CONCRETE COLUMN
 NOT TO SCALE

Order Plans @ WWW.LDILine.com

CRABTREE NORTH APTS.
 2251 Charles Drive
 Raleigh, North Carolina
 EYC COMPANIES

03FEB20
 PRICING
 SET
 PROJECT 1015
 DATE 06NOV19
 DRAWN BY SCG
 CHECKED BY F80
 CONCRETE SECTIONS

S1.1.9