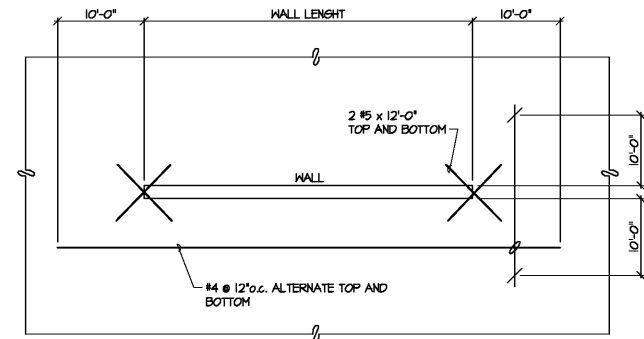
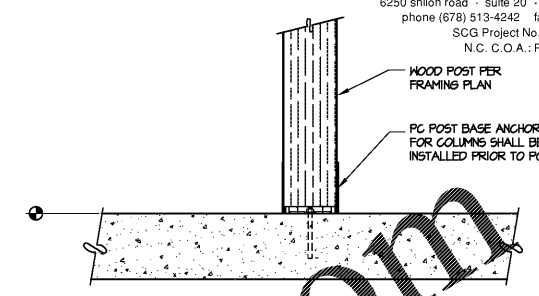




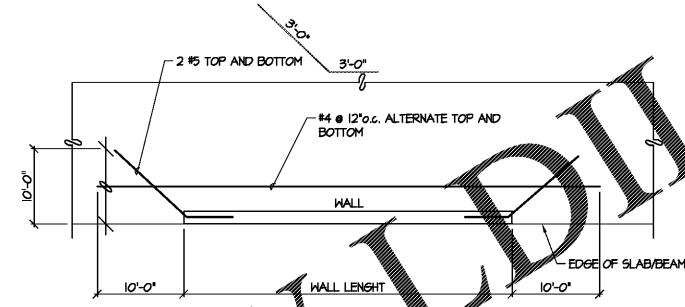
Structural Consulting Group, LLC
 6250 shiloh road · suite 20 · alpharetta, ga 30005
 phone (678) 513-4242 fax (678) 513-4232
 SCG Project No. 191003
 N.C. C.O.A. : P-0573



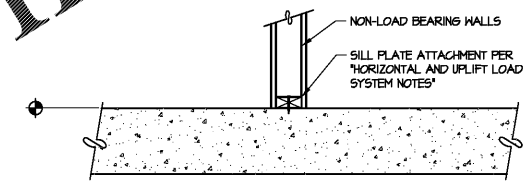
8 ADDITIONAL PODIUM REINFORCING AT INTERIOR BEARING/SHEARWALLS NOT TO SCALE



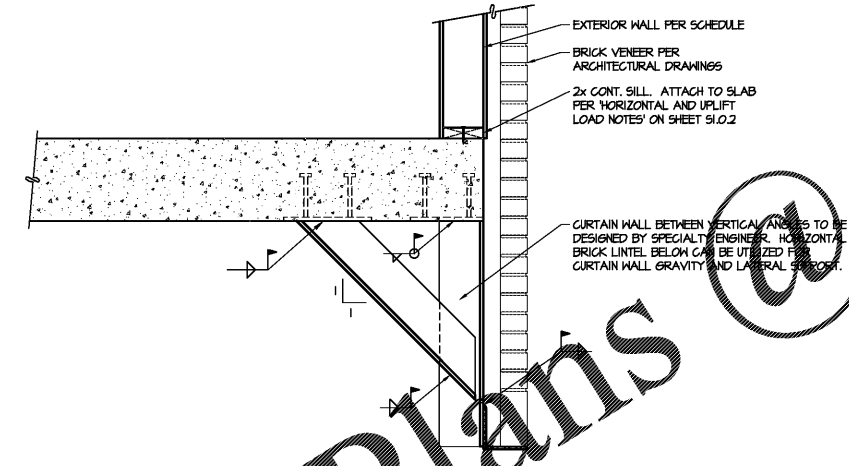
4 COLUMN/POST BASE AT PODIUM SLAB NOT TO SCALE



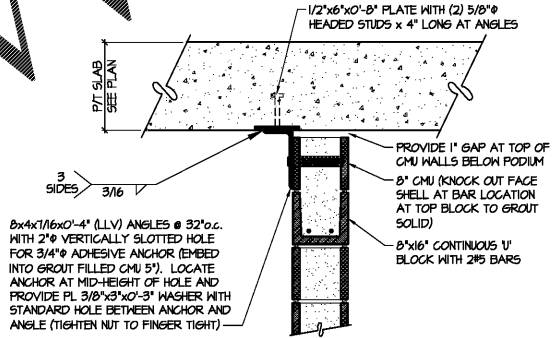
7 ADDITIONAL PODIUM REINFORCING AT EXTERIOR BEARING/SHEARWALLS NOT TO SCALE



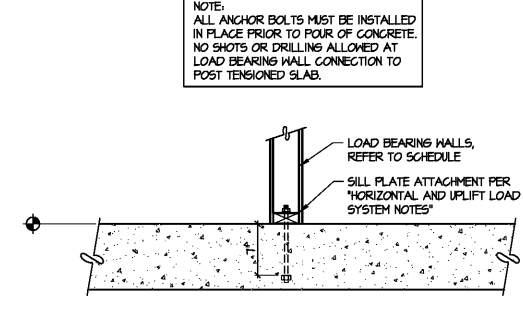
3 NON-LOAD BEARING WALLS AT PT SLAB NOT TO SCALE



10 PODIUM SECTION AT OPENINGS > 9'-0" WIDE NOT TO SCALE

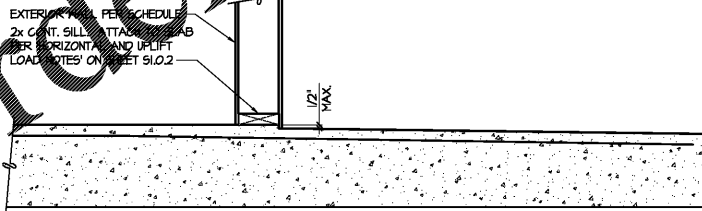


6 NON-LOAD BEARING CMU WALL CONNECTION NOT TO SCALE

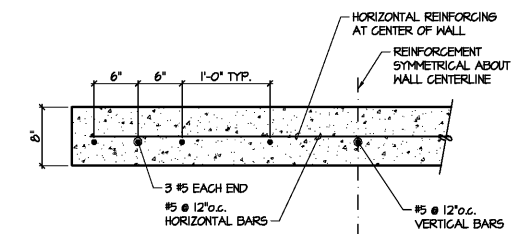


2 LOAD BEARING WALLS AT PT SLAB NOT TO SCALE

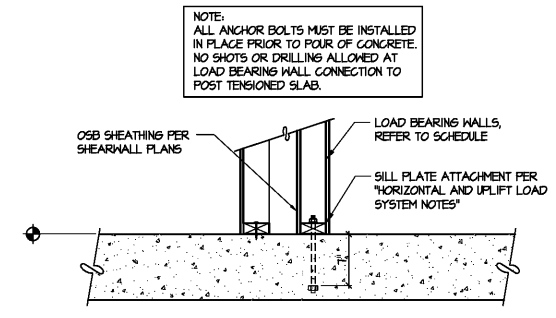
Order Plans



9 SECTION AT PODIUM BALCONY NOT TO SCALE



5 TYPICAL SHEARWALL END ZONE DETAIL NOT TO SCALE

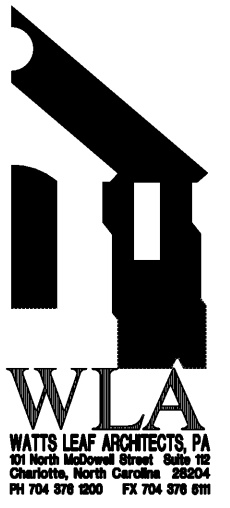


1 DEMISING WALLS AT PT SLAB NOT TO SCALE

NOTE: ALL ANCHOR BOLTS MUST BE INSTALLED PRIOR TO POUR OF CONCRETE. NO SHOTS OR DRILLING ALLOWED AT LOAD BEARING WALL CONNECTION TO POST TENSIONED SLAB.

NOTE: ALL ANCHOR BOLTS MUST BE INSTALLED IN PLACE PRIOR TO POUR OF CONCRETE. NO SHOTS OR DRILLING ALLOWED AT LOAD BEARING WALL CONNECTION TO POST TENSIONED SLAB.

NOTE: ALL ANCHOR BOLTS MUST BE INSTALLED IN PLACE PRIOR TO POUR OF CONCRETE. NO SHOTS OR DRILLING ALLOWED AT LOAD BEARING WALL CONNECTION TO POST TENSIONED SLAB.



CRABTREE NORTH APTS.
 2251 Charles Drive
 Raleigh, North Carolina
 EYC COMPANIES

03FEB20
 PRICING
 SET

PROJECT 1015
 DATE 08NOV19
 DRAWN BY SCG
 CHECKED BY F80

CONCRETE SECTIONS

S1.1.8