

Structural Consulting Group, LLC
 6250 shiloh road - suite 20 - alpharetta, ga 30005
 phone (678) 513-4242 fax (678) 513-4232
 SCG Project No. 191003
 N.C. C.O.A. : P-0573

WLA
 WATTS LEAF ARCHITECTS, PA
 371 North McDowell Street, Suite 102
 Charlotte, North Carolina 28204
 PH 704 376 1200 FX 704 376 6111

CRABTREE NORTH APTS.
 2251 Charles Drive
 Raleigh, North Carolina
 EYC COMPANIES

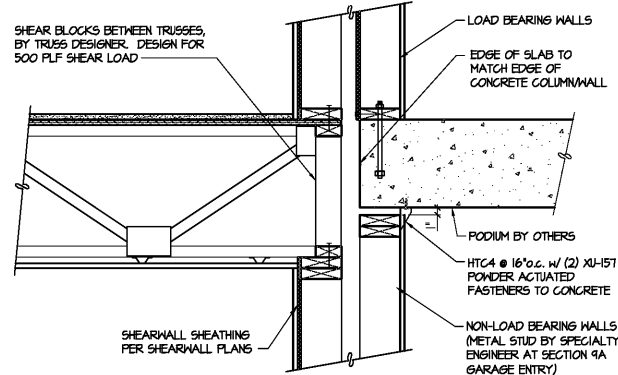
**03FEB20
 PRICING
 SET**

PROJECT 1015
 DATE 08NOV19
 DRAWN BY SCG
 CHECKED BY F80

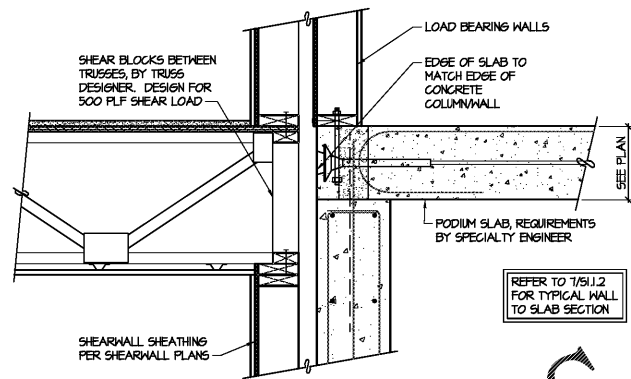
CONCRETE SECTIONS

S1.1.7

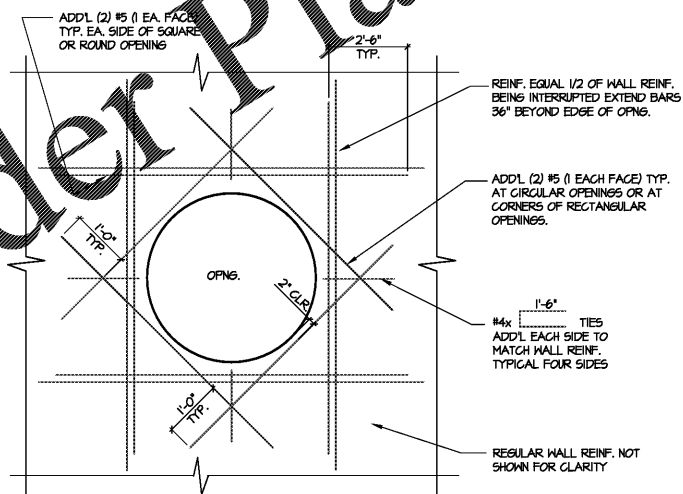
Order Plans



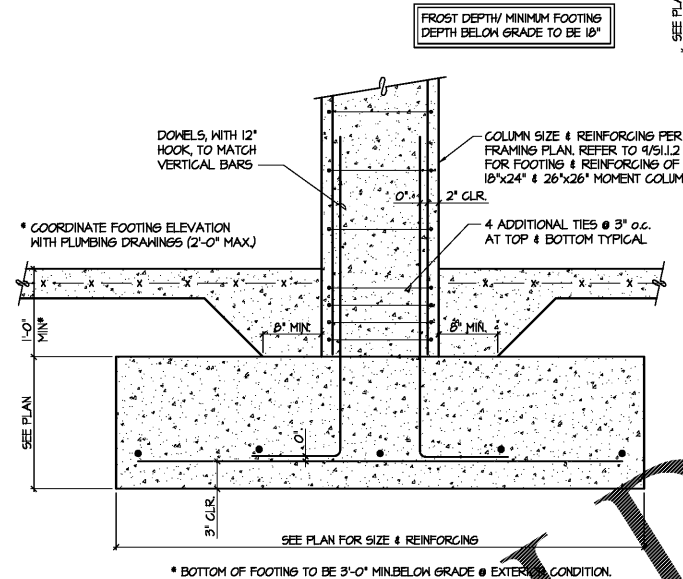
9 SECTION AT EXPANSION JOINT
 NOT TO SCALE



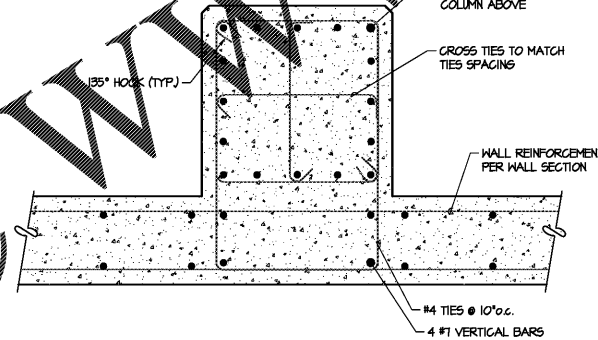
8 SECTION AT CONCRETE PODIUM
 NOT TO SCALE



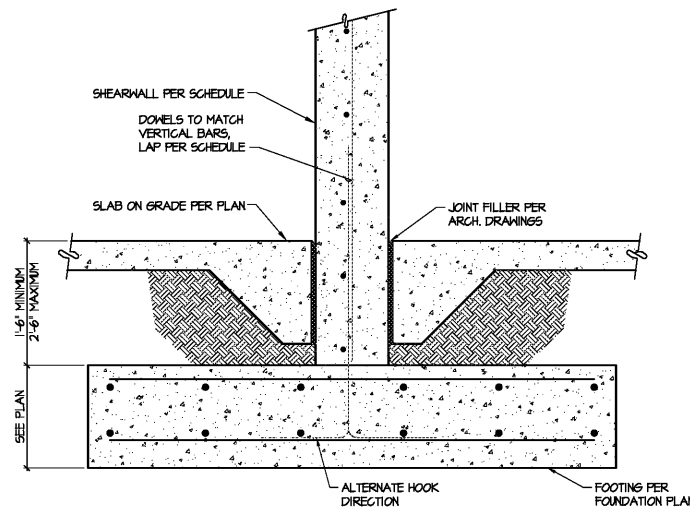
7 CONCRETE WALL OPENING
 NOT TO SCALE



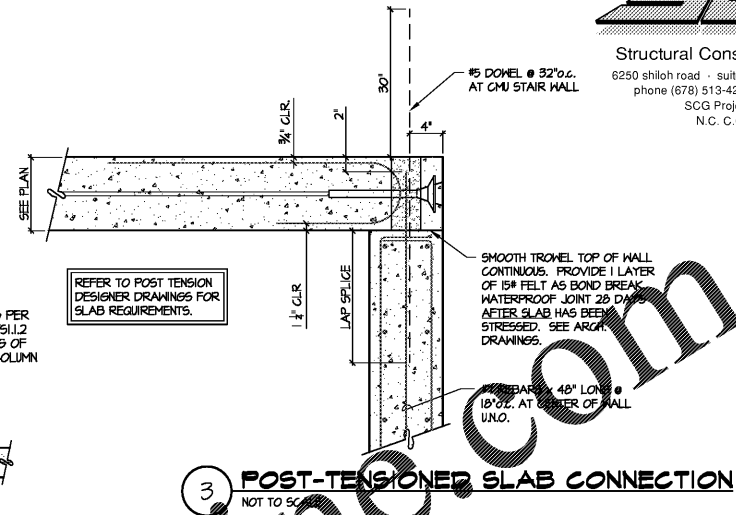
6 SECTION AT CONCRETE COLUMN
 (NON-MOMENT RESISTING)
 NOT TO SCALE



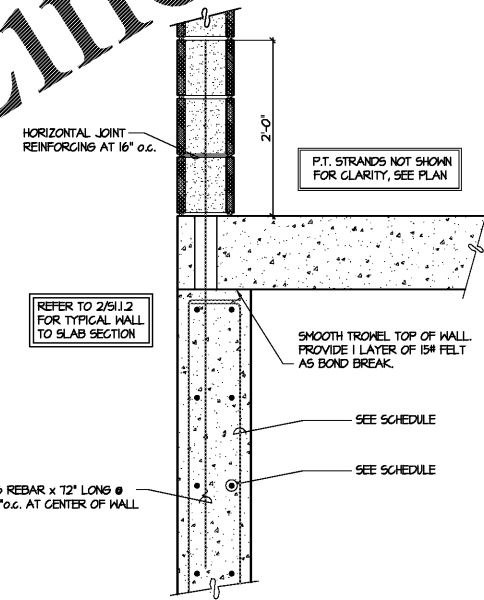
5 SECTION AT PILASTER
 NOT TO SCALE



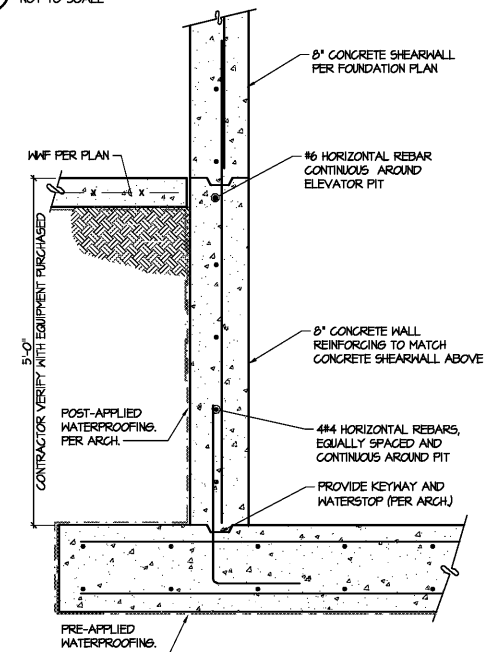
4 SECTION AT CONCRETE SHEARWALL
 NOT TO SCALE



3 POST-TENSIONER SLAB CONNECTION
 NOT TO SCALE



2 SECTION AT ELEVATOR
 NOT TO SCALE



1 SHEARWALL AT ELEVATOR PIT
 NOT TO SCALE