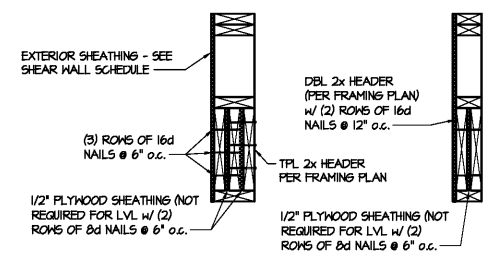


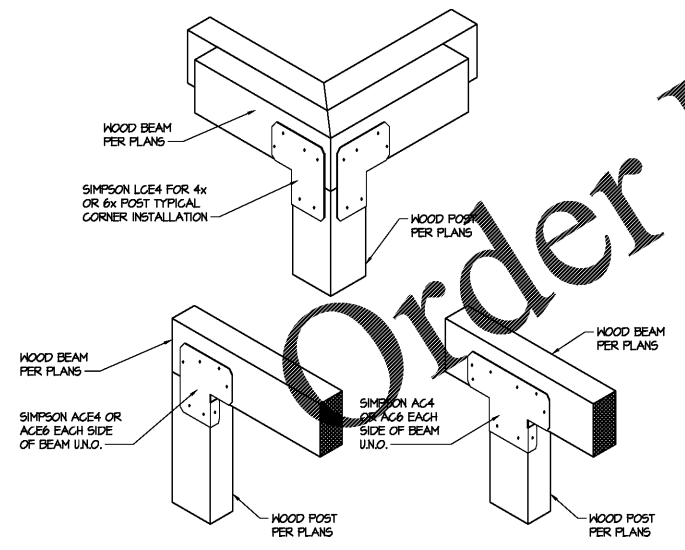
**CONNECTION (ALL SCREWS ARE SIMPSON STRONG-DRIVE) REQUIREMENTS FOR MULTI-PLY FLUSH BEAMS**  
 (NOT REQUIRED AT DROPPED BEAMS, UNO.)

**14 MULTI-PLY BEAM CONNECTION**  
 NOT TO SCALE

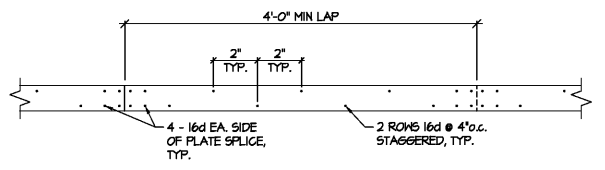


**CONNECTION REQUIREMENTS FOR MULTI-PLY HEADERS**

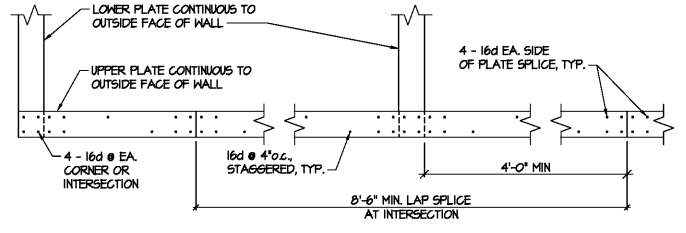
**13 TYPICAL EXTERIOR HEADER CONNECTION**  
 NOT TO SCALE



**12 TYPICAL BEAM TO COLUMN CONNECTION**  
 SCALE: 1" = 1'-0"  
 NOTES



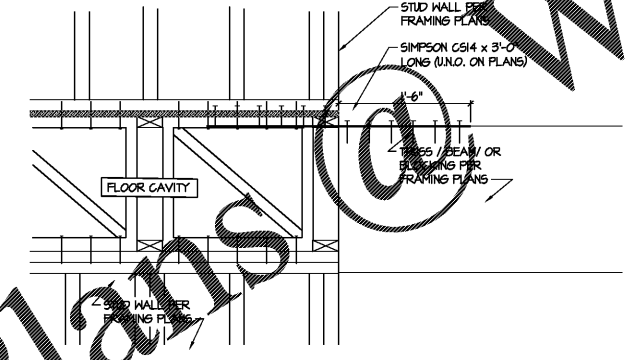
**WOOD SPLICE UNLESS METAL STRAP IS NOTED OTHERWISE ON PLANS**



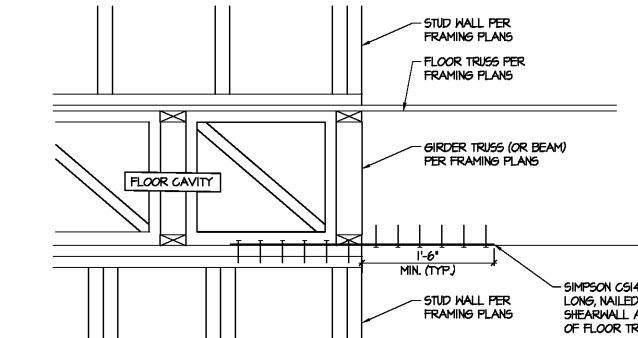
**NOTE: CENTER ALL SPLICES ON STUD BELOW, TYP.**

**CORNERS & INTERSECTIONS**

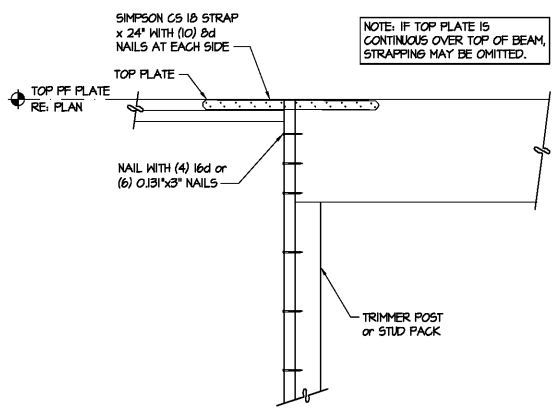
**11 TYP. DOUBLE TOP PLATE SPLICE**  
 NOT TO SCALE



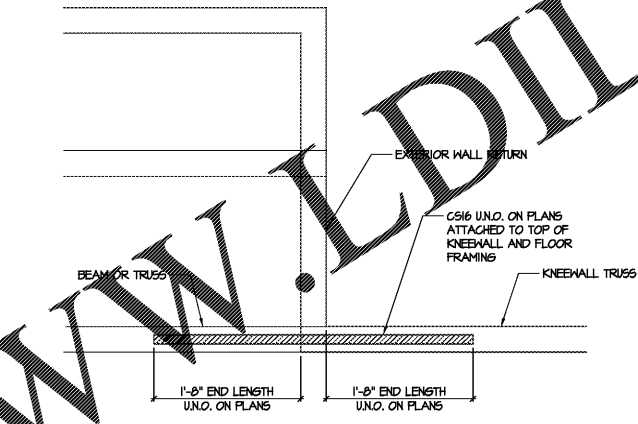
**10 TYP. SHEARWALL TO COLLECTOR**  
 NOT TO SCALE



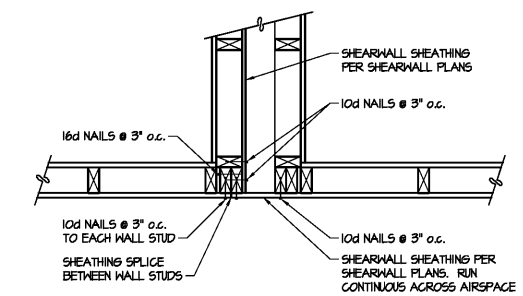
**9 INTERIOR SHEARWALL DETAIL**  
 NOT TO SCALE



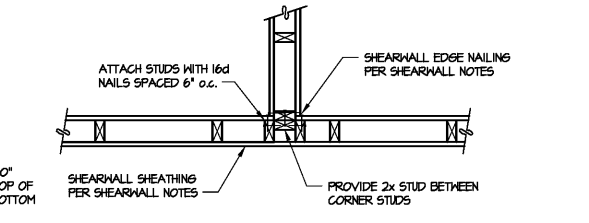
**8 TYPICAL DROP BEAM/ HIGH HEADER TO TOP PLATE STRAPPING**  
 NOT TO SCALE



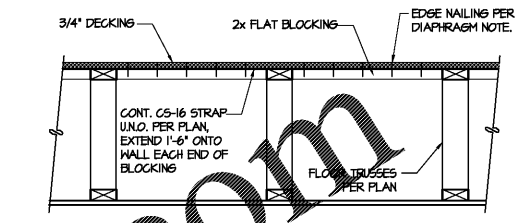
**7 TYP. DIAPHRAGM COLLECTOR CONNECTION**  
 NOT TO SCALE



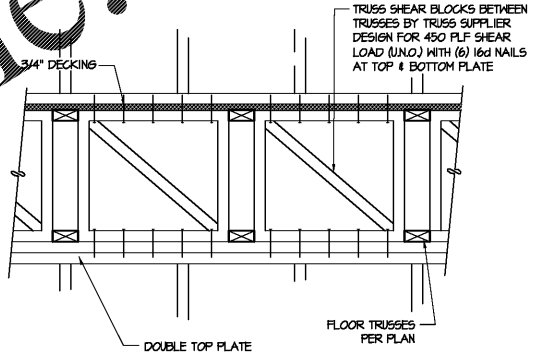
**6 SHEARWALL INTERSECTION DETAIL**  
 NOT TO SCALE



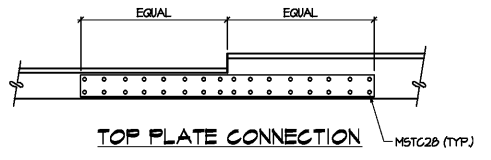
**5 INTERSECTING WALL @ SHEARWALL**  
 NOT TO SCALE



**4 SHEAR BLOCK COLLECTOR**  
 NOT TO SCALE

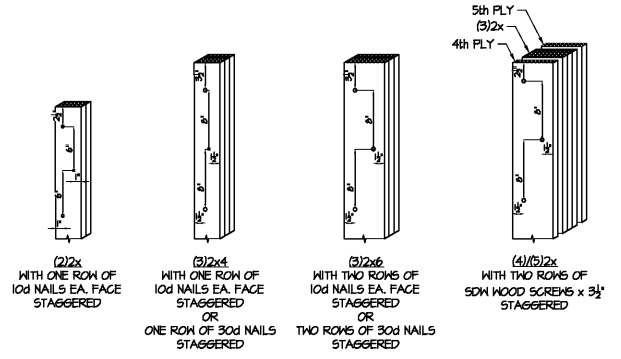


**3 SHEAR BLOCK PANEL**  
 NOT TO SCALE



**STUD CONNECTION**

**2 DETAIL AT SHEARWALL TRANSITION**  
 NOT TO SCALE



**1 TYP. NAILING PATTERN AT BUILT-UP STANDALONE COLUMN**  
 NOT TO SCALE

**CRABTREE NORTH APTS.**  
 2251 Charles Drive  
 Raleigh, North Carolina  
 EYC COMPANIES

**03FEB20 PRICING SET**

PROJECT 1915  
 DATE 06NOV19  
 DRAWN BY SCG  
 CHECKED BY F80

TYPICAL SECTIONS

S1.0.4