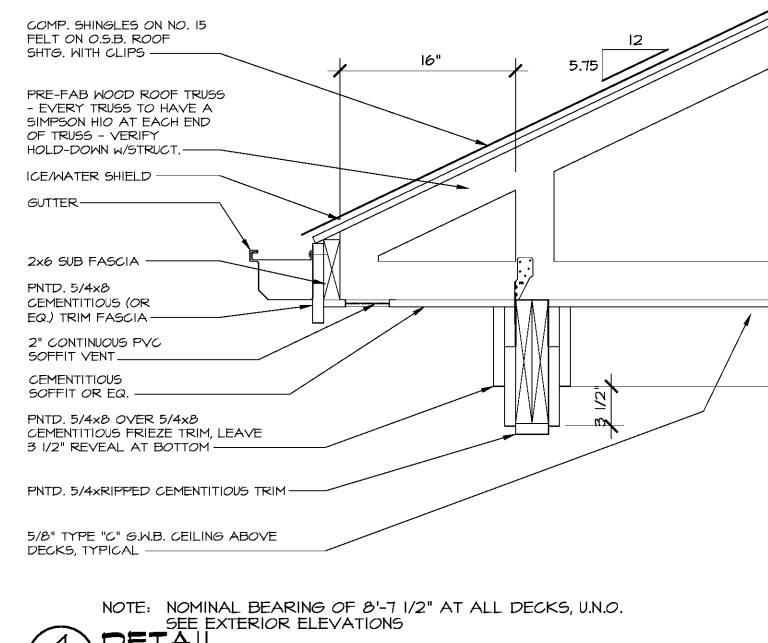


1 DETAIL
A8.01 TYPICAL FASCIA 1 1/2"=1'-0"



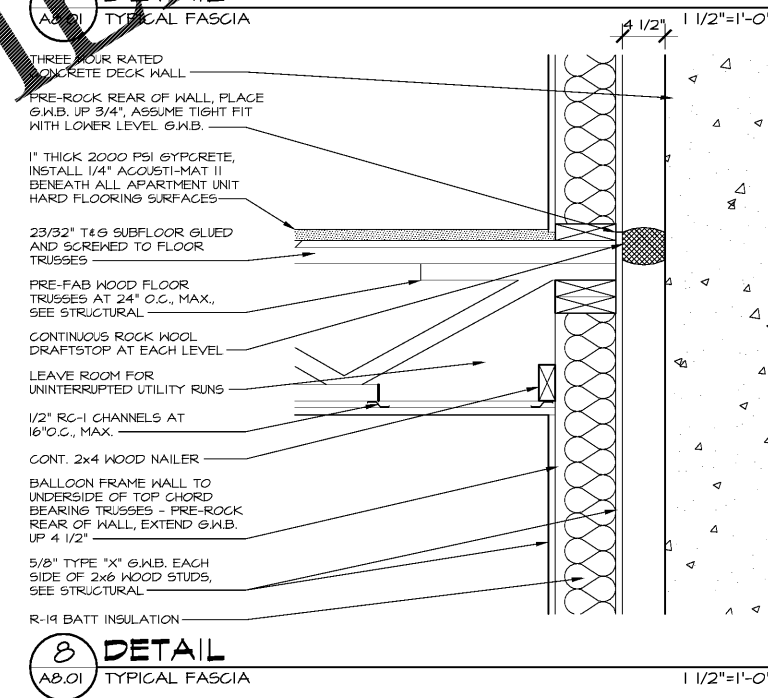
4 DETAIL
A8.01 TYPICAL FASCIA 1 1/2"=1'-0"



7 DETAIL
A8.01 TYPICAL FASCIA 1 1/2"=1'-0"

2 DETAIL
A8.01 TYPICAL FASCIA 1 1/2"=1'-0"

5 DETAIL
A8.01 TYPICAL FASCIA 1 1/2"=1'-0"



8 DETAIL
A8.01 TYPICAL FASCIA 1 1/2"=1'-0"

3 DETAIL
A8.01 TYPICAL FASCIA 1 1/2"=1'-0"

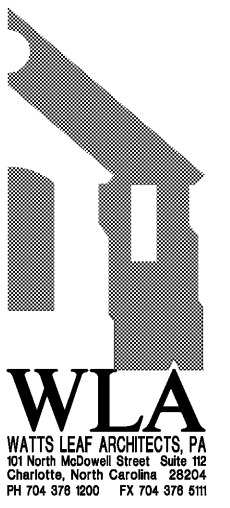
6 DETAIL
A8.01 TYPICAL FASCIA 1 1/2"=1'-0"

9 DETAIL
A8.01 TYPICAL FASCIA 1 1/2"=1'-0"

Order Plans @

@

WWW.LDLINE.COM



CRABTREE NORTH APTS.
2251 Charles Drive
Raleigh, North Carolina
EYC COMPANIES

PROJECT	1915
DATE	16DEC19
DRAWN BY	WJP
CHECKED BY	CMW
DETAILS	
A8.01	