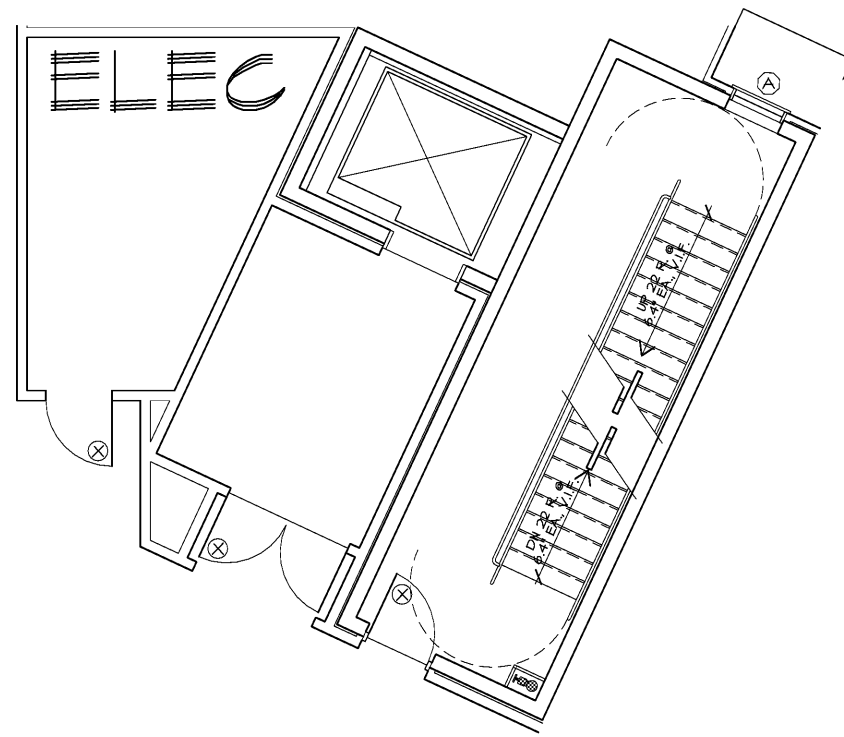
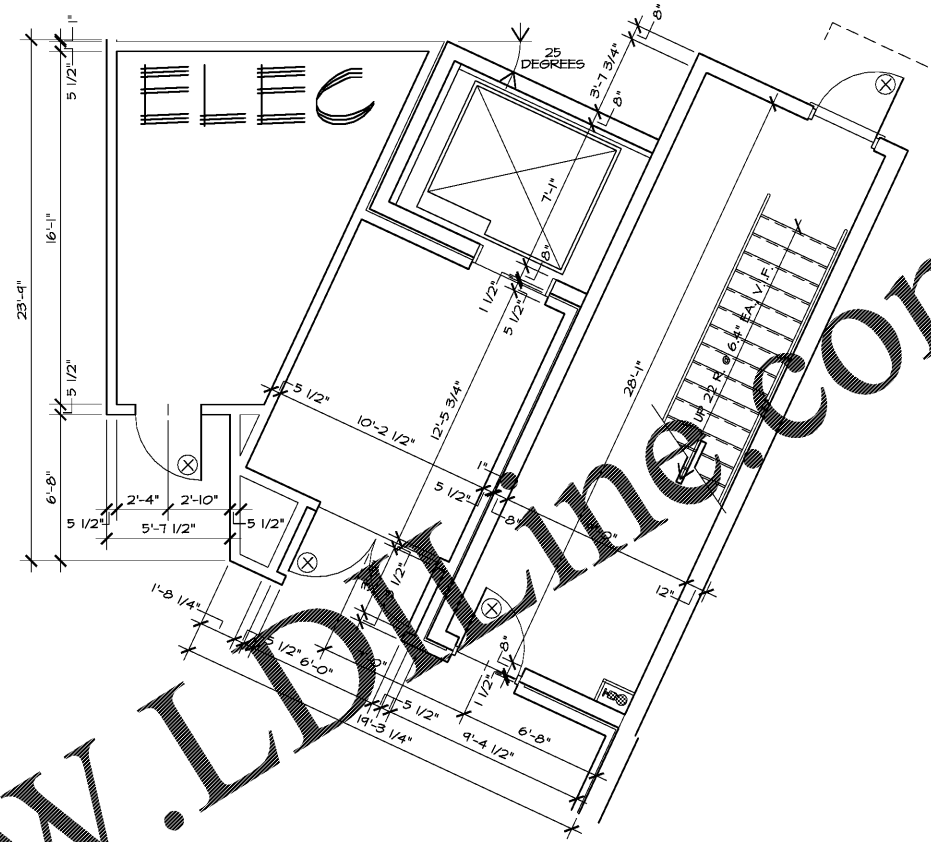


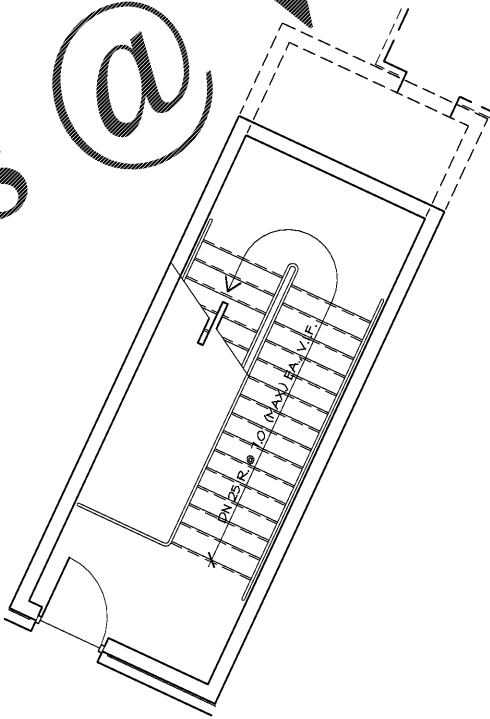
Order Plans @ WWW.LDOLINE.COM



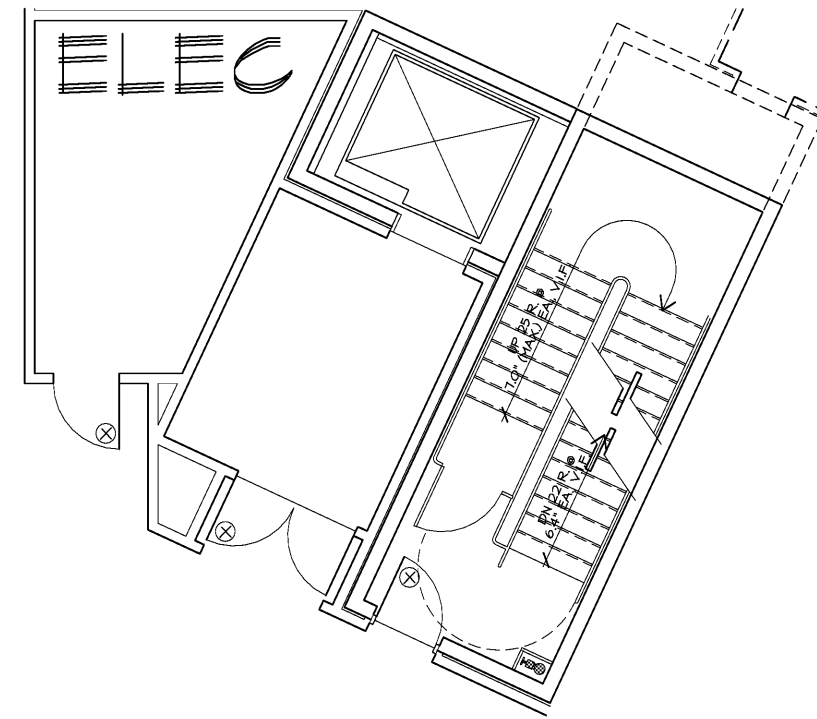
SEE 1/A3.02 FOR ADDITIONAL DIMENSION INFORMATION
2 ELEVATOR 2 / STAIR 1 - 312.05' LEVEL PLAN
 A3.02 LEVELS 323.75' & 335.44' SIMILAR 1/4"=1'-0"



SEE 1/A3.02 FOR ADDITIONAL DIMENSION INFORMATION
3 ELEVATOR 2 / STAIR 1 - 300.37' LEVEL PLAN
 A3.02 1/4"=1'-0"



SEE 1/A3.02 FOR ADDITIONAL DIMENSION INFORMATION
4 STAIR 1 - ROOF LEVEL PLAN
 A3.02 1/4"=1'-0"



SEE 1/A3.02 FOR ADDITIONAL DIMENSION INFORMATION
3 ELEVATOR 2 / STAIR 1 - 347.13' LEVEL PLAN
 A3.02 1/4"=1'-0"

GENERAL NOTES

The Architectural drawings must be used in conjunction with the Civil Structural, MEP, Fire Protection drawings and specifications. The Contractor is responsible for all coordination between the drawings. Discrepancies should be brought to the attention of the architect.

The Contractor is advised that the available space for routing all electrical, mechanical, plumbing, fire protection and communications piping, conduit, trays and ductwork may be limited in many locations. The Contractor shall coordinate all of the trades work and make adjustments, with the Architect's approval to the routing of these items as required. Any rework resulting from the failure to coordinate will be performed by the Contractor at no additional cost.

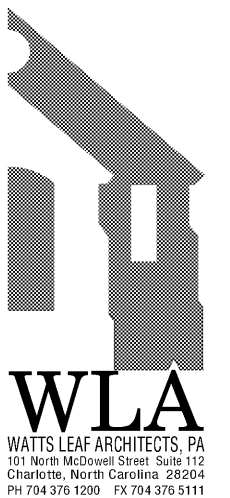
All dimensions are from face of stud, u.n.o.

All penetrations of fire rated assemblies shall be fire blocked and sealed per UL approved methods.

All concealed fire rated assemblies shall be provided with signage indicating the type of assembly and the fire rating if hours in letters no smaller than 2" high. See 701.2.

FIRE RATING LEGEND

THREE HOUR RATED ASSEMBLIES	3FW
3 HOUR RATED FIRE HALL	3FW
UL ASH 2000 3 HR FIREHALL SEPARATING TYPE-SA FIRE AREA - NCCAC 121.11	3FW
3 HOUR RATED CONCRETE SLABS (SEE N.C.S.B.C. SECTION 721.10) SLABS BETWEEN STORAGE LEVEL AND APT. UNITS ABOVE (BUILDING #2 ONLY)	3FW
3 HOUR RATED CONCRETE COLUMN (SEE N.C.S.B.C. SECTION 721.10) COLUMN SUPPORTING 3 HOUR RATED SLABS	3FW
TWO HOUR RATED ASSEMBLIES	2FW
2 HOUR RATED FIRE HALL	2FW
UL U-210 2-HR FIREHALL SEPARATING TYPE-SA FIRE AREA	2FW
2 HOUR RATED FIRE BARRIER	2FB
2FB	2FB
UL-05 - ELEVATOR AND STAIR 4 HIGH SHAFTS	2FB
2 HOUR RATED CEILING	2FC
GA FILE NO. FC 572	2FC
2 HOUR RATED CONCRETE SLABS (SEE N.C.S.B.C. SECTION 721.10) SLAB BETWEEN GLENNKUSE AND APT. UNITS ABOVE (BUILDING #4 ONLY)	2FC
2 HOUR RATED CONCRETE COLUMN (SEE N.C.S.B.C. TABLE 721.10) COLUMN SUPPORTING 2 HOUR RATED SLABS	2FC
ONE HOUR RATED ASSEMBLIES	1FB
1 HOUR RATED FIRE BARRIER	1FB
UL U-305 1-HR FIRE BARRIER ADJACENT TO ENCLOSED GARAGE HALLS	1FB
1 HOUR RATED FIRE PARTITION	1FP
1FP	1FP
d31	d31
UL U-341 1-HR TENANT SEPARATION WALLS	1HR
UL U-305 1-HR CORRIDOR WALLS - BUILT TO ACHIEVE 50% RATING PER RECS LISTED IN UL INCL. FURRING CHANNELS/CLIPS ON CORRIDOR SIDE OF ASSEMBLY. CGS PANELS TO BE PLACED BETWEEN STUD ENDS AND CLIPS AT SHEAR WALL LOCATIONS COORDINATE WITH THE STRUCTURAL	1HR
1 HOUR RATED STRUCTURAL AND NON-STRUCTURAL ELEMENTS	1HR
1HR	1HR
UL U-256 1-HR RATED EXTERIOR BEARING WALL	1HR
UL U-305 1-HR RATED INT. INTERIOR BEARING WALL AND ELEVATOR LOBBIES	1HR
1-HR RATED ROOF/CEILING ASSEMBLY, SEE A017	1HR
SPYISM ASSOCIATION FILE NO. RG 2609	1HR
UL L-528 1-HR RATED FLOOR/CEILING ASSEMBLY	1HR



CRABTREE NORTH APTS.
 2251 Charles Drive
 Raleigh, North Carolina
 EYC COMPANIES

PROJECT	1915
DATE	03FEB20
DRAWN BY	WJP
CHECKED BY	CMW
ELEVATOR 2 / STAIR 1 - ENLARGED PLANS	
A3.02	