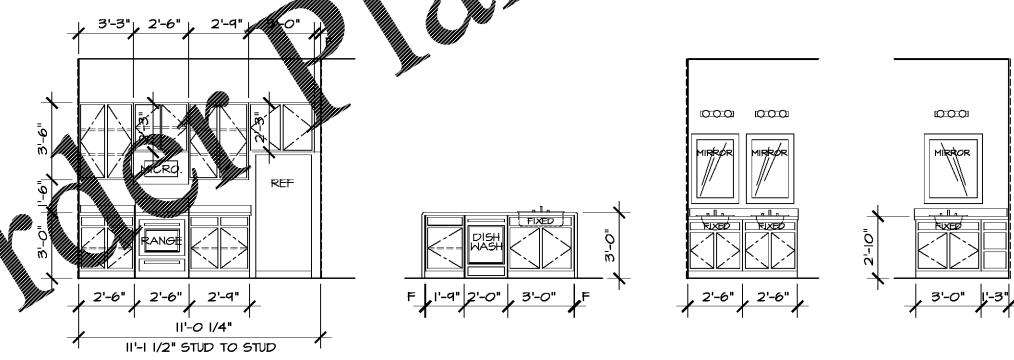
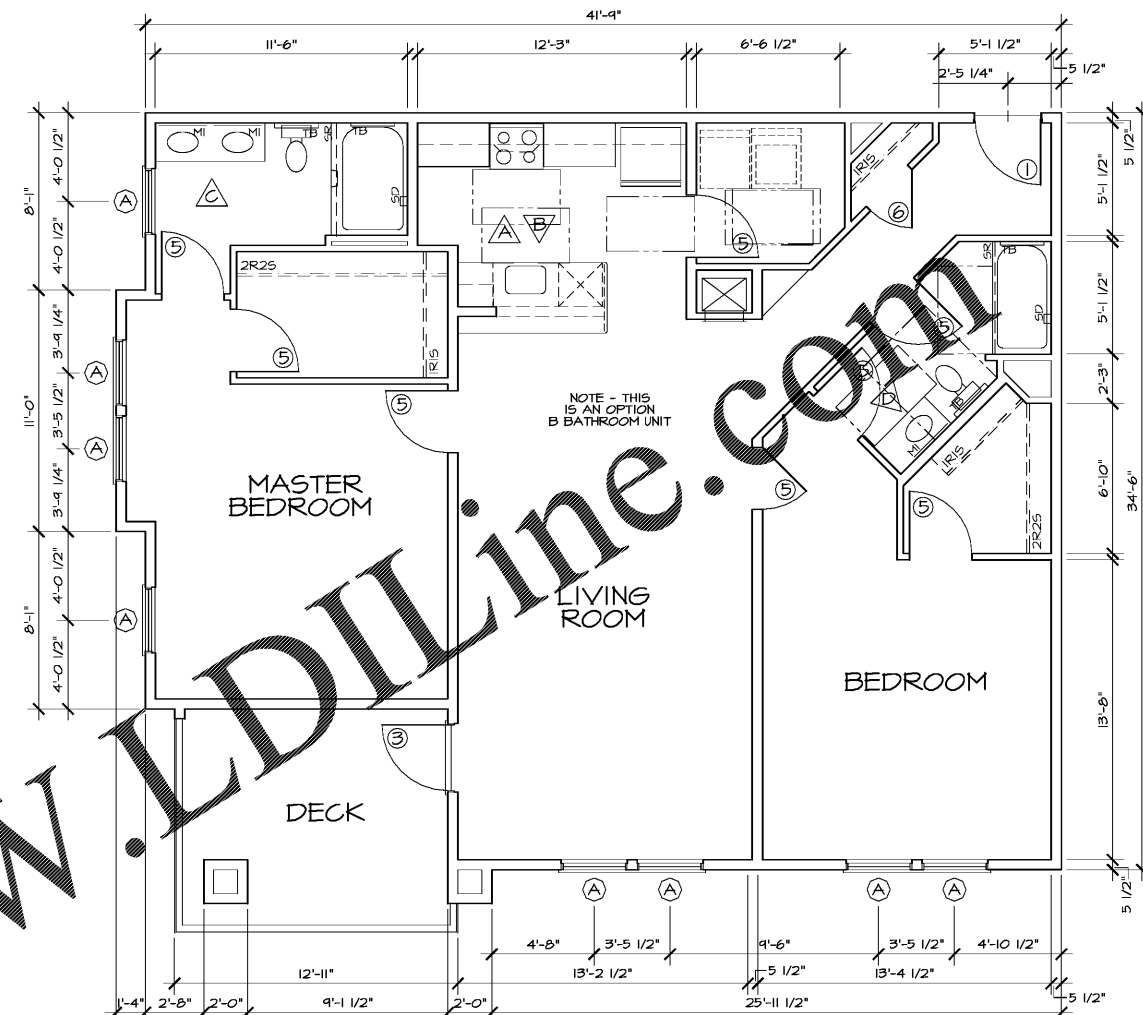


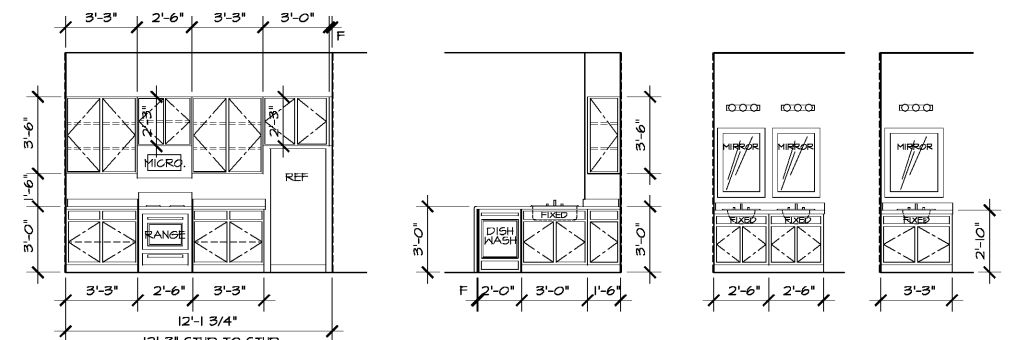
6 UNIT TYPE C6 - FLOOR PLAN
 A2.04a 1219 HEATED SQ FT / 1369 GROSS SQ FT
 I.B.C. TYPE 'B' H.C. UNIT



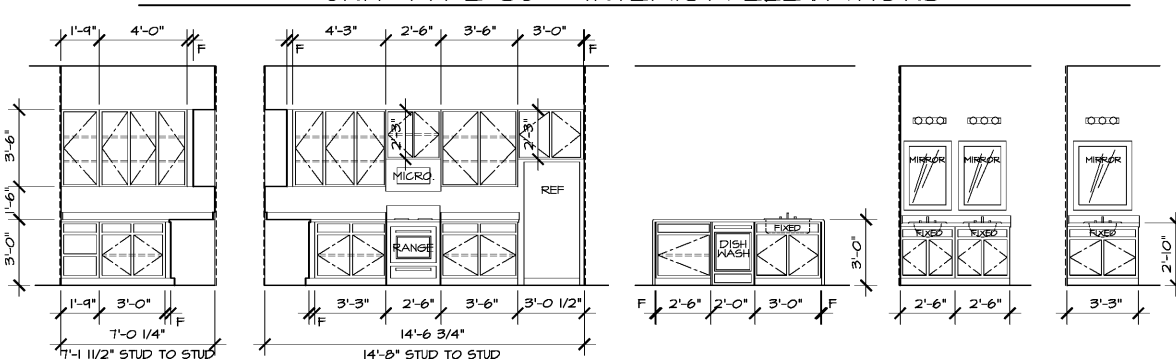
UNIT TYPE C6 - INTERIOR ELEVATIONS



5 UNIT TYPE C5 - FLOOR PLAN
 A2.04a 1347 HEATED SQ FT / 1476 GROSS SQ FT
 I.B.C. TYPE 'B' H.C. UNIT

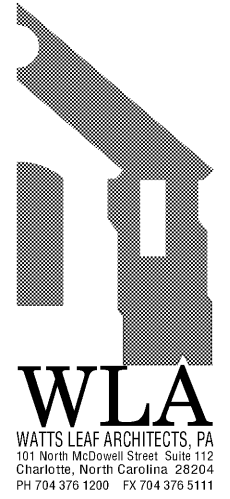


UNIT TYPE C5 - INTERIOR ELEVATIONS



UNIT TYPE C3 - INTERIOR ELEVATIONS

SEE SHEET 2.04 FOR UNIT TYPE C3 UNIT PLAN INFORMATION



CRABTREE NORTH APTS.
 2251 Charles Drive
 Raleigh, North Carolina
 EYC COMPANIES

PROJECT	1915
DATE	03FEB20
DRAWN BY	WJP
CHECKED BY	CMW

C5 & C6 UNIT TYPES - PLANS AND INTERIOR ELEVATIONS

A2.04a