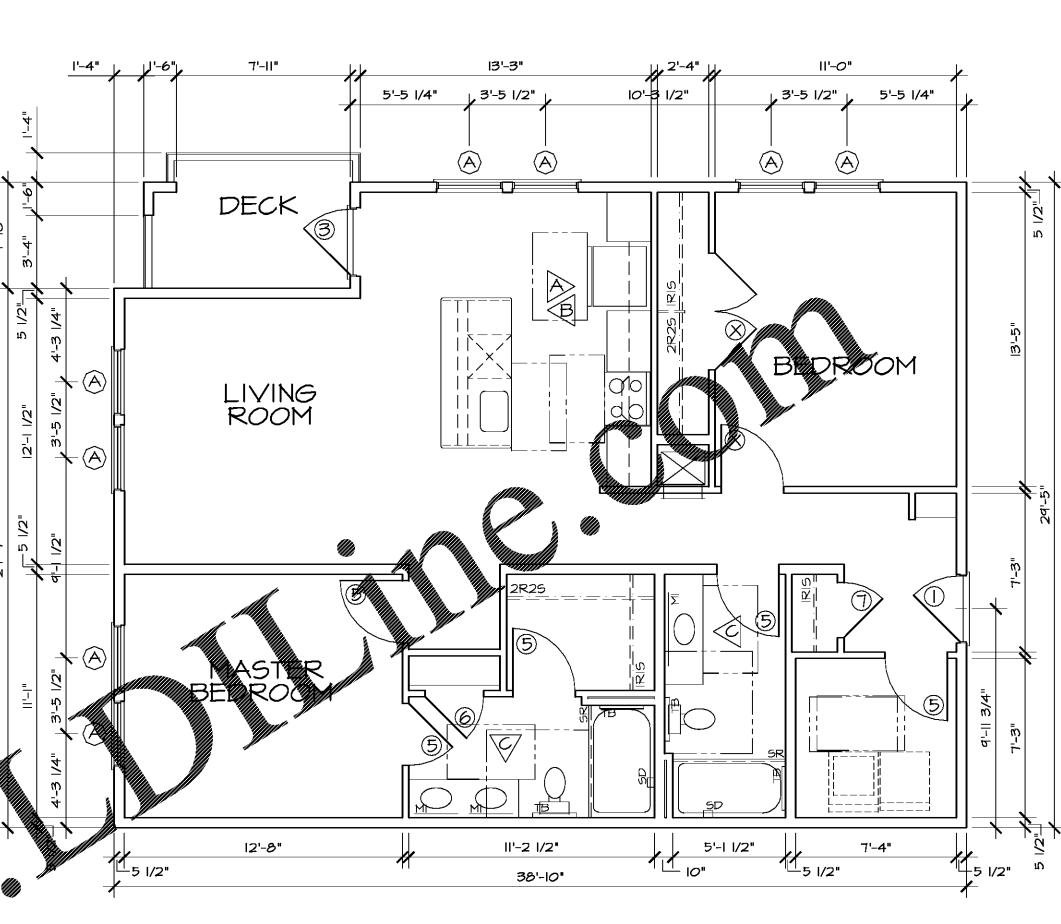
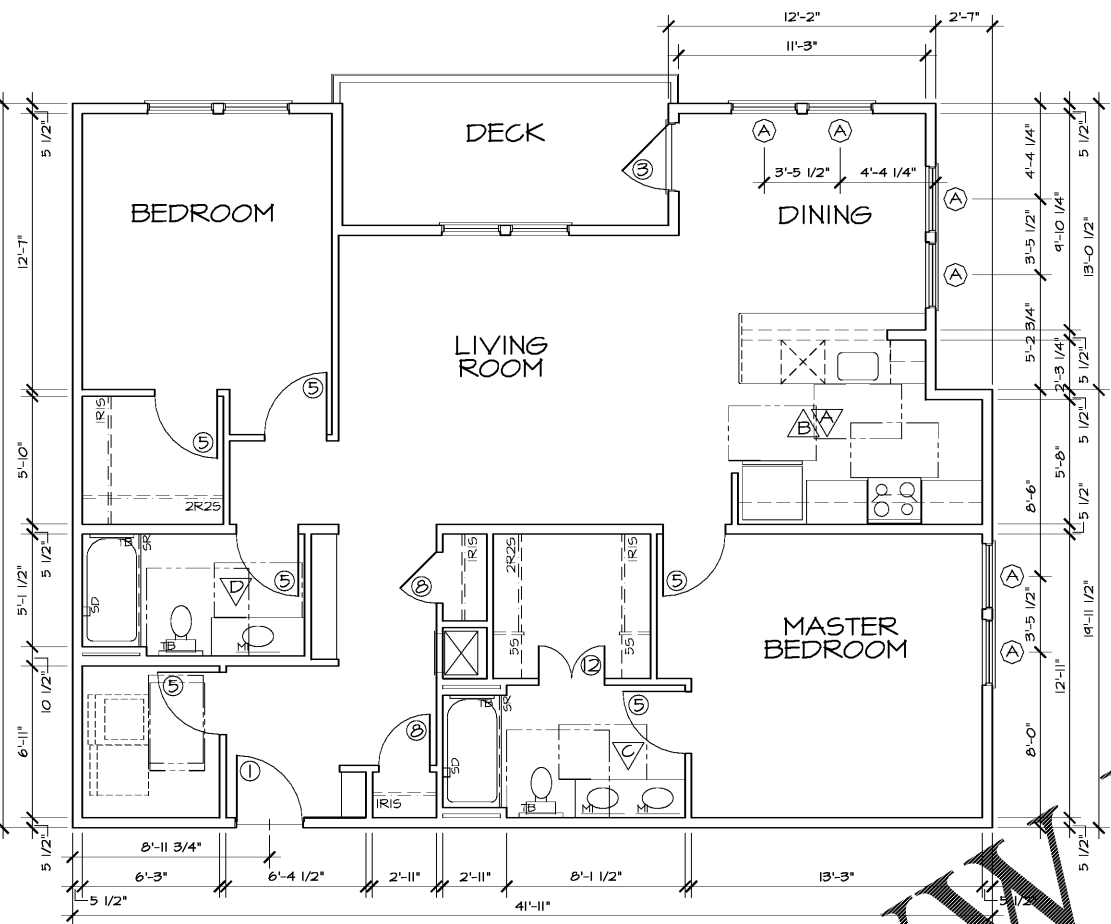
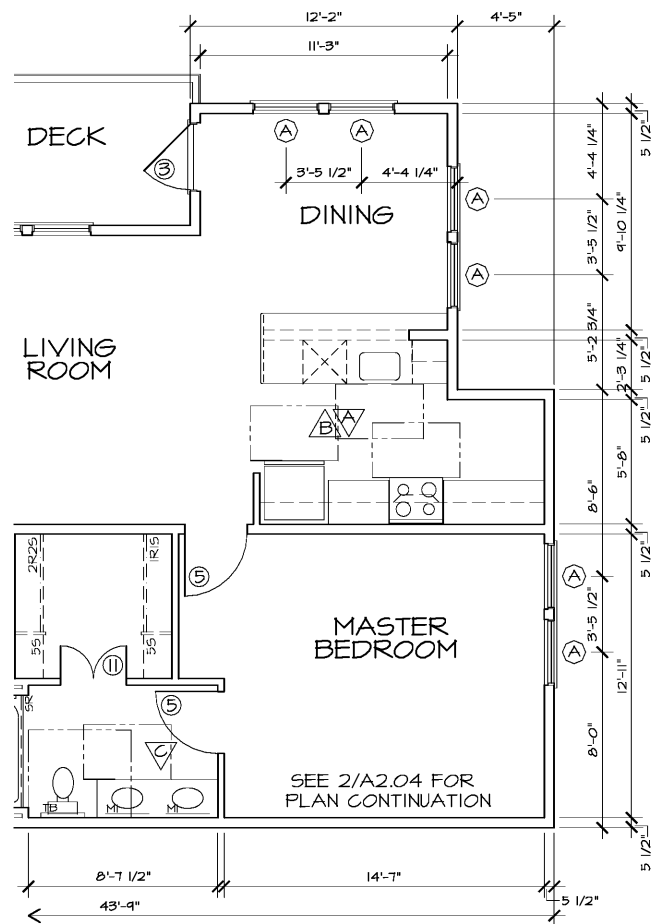


**WLA**  
 WATTS LEAF ARCHITECTS, PA  
 101 North McDowell Street, Suite 112  
 Charlotte, North Carolina 28204  
 PH 704 376 1200 FX 704 376 5111

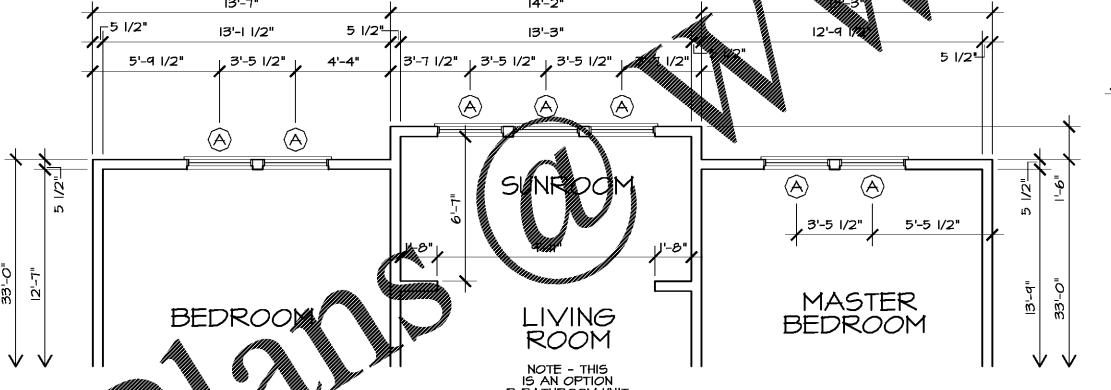
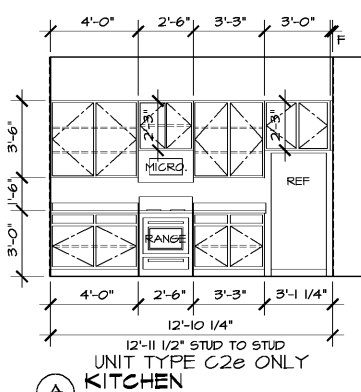
**CRABTREE NORTH APTS.**  
 2251 Charles Drive  
 Raleigh, North Carolina  
 EYC COMPANIES



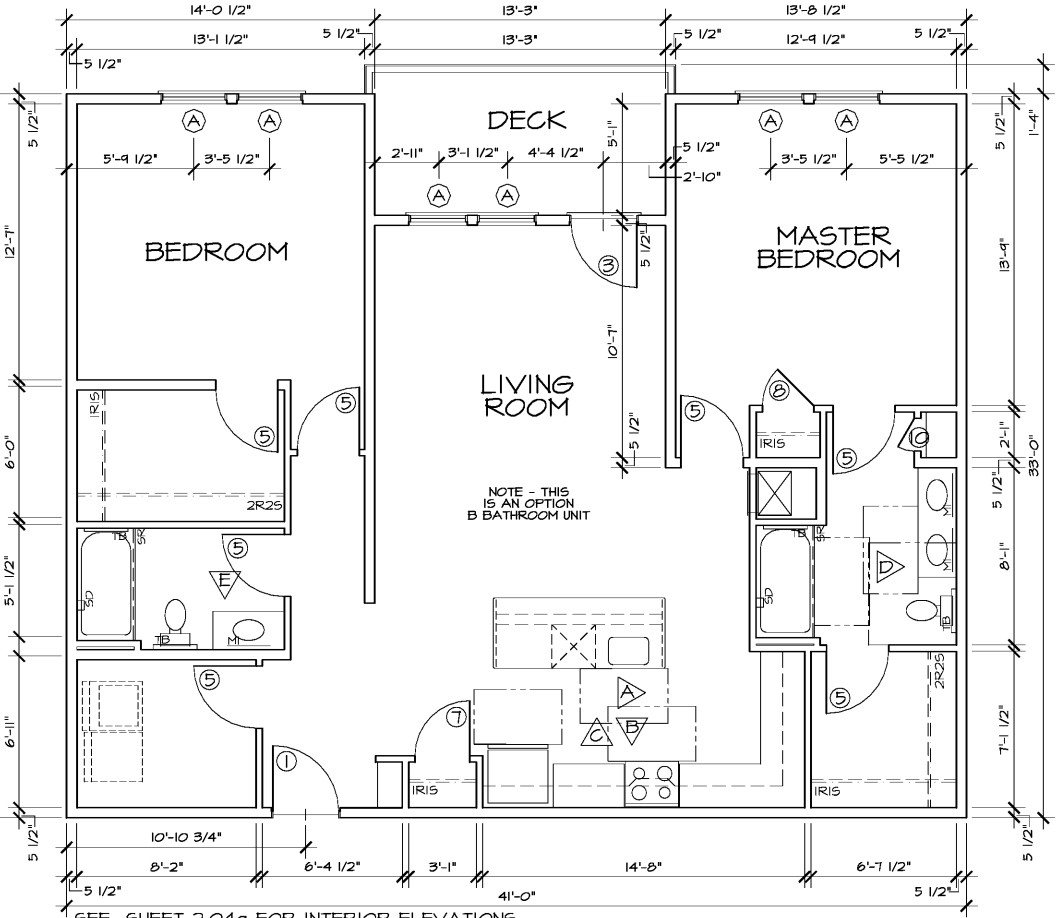
**2e** UNIT TYPE C2e - FLR PLAN  
 A2.04 1304 HTD SQ FT / 1407 GR5 SQ FT  
 I.B.C. TYPE 'B' H.C. UNIT

**2** UNIT TYPE C2 - FLOOR PLAN  
 A2.04 1267 HEATED SQ FT / 1371 GROSS SQ FT  
 I.B.C. TYPE 'B' H.C. UNIT

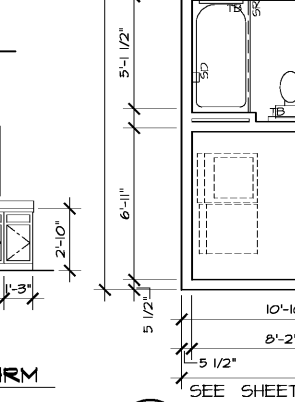
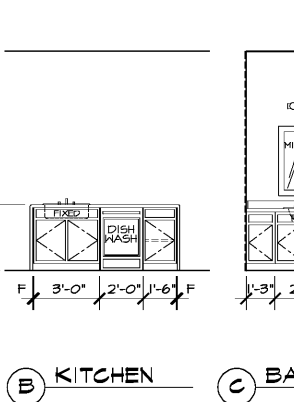
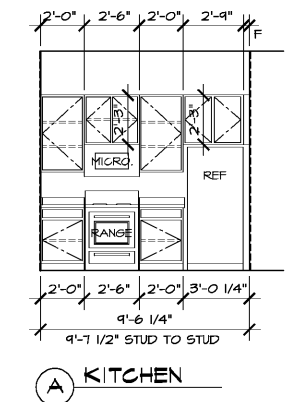
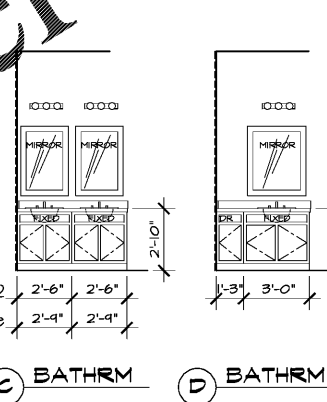
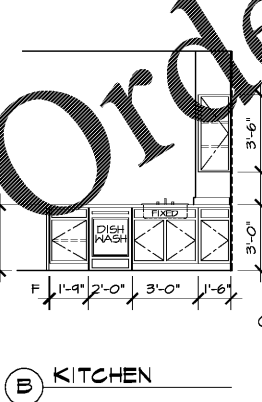
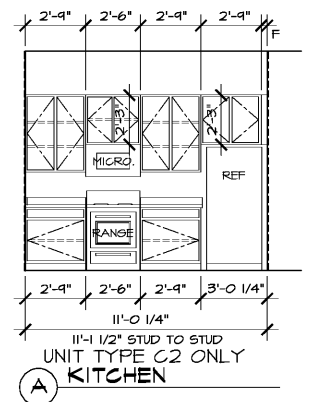
**1** UNIT TYPE C1 - FLOOR PLAN  
 A2.04 1082 HEATED SQ FT / 1146 GROSS SQ FT  
 I.B.C. TYPE 'B' H.C. UNIT



**3s** UNIT TYPE C3s - FLOOR PLAN  
 A2.04 1313 HEATED SQ FT / 1374 GROSS SQ FT  
 I.B.C. TYPE 'B' H.C. UNIT  
 NOTE: UNIT #52 IS AN I.B.C. TYPE 'A' H.C. UNIT, SEE 3/A2.06 FOR PLAN CONTINUATION



**3** UNIT TYPE C3 - FLOOR PLAN  
 A2.04 1280 HEATED SQ FT / 1369 GROSS SQ FT  
 I.B.C. TYPE 'B' H.C. UNIT



UNIT TYPE C2/C2e - INTERIOR ELEVATIONS

UNIT TYPE C1 - INTERIOR ELEVATIONS

PROJECT	1915
DATE	03FEB20
DRAWN BY	WJP
CHECKED BY	CMW

C1, C2, C3 & C4 UNIT TYPES - PLANS AND INTERIOR ELEVATIONS

**A2.04**