

McADAMS

The John R. McAdams Company, Inc.
2905 Meridian Parkway
Durham, NC 27713

phone 919. 361. 5000
fax 919. 361. 2269
license number: C-0293, C-187

www.mcadamsco.com

CLIENT

EYC COMPANIES/FRONT STREET DESIGN
AND CONSULTING
36 CENTER DRIVE
FOLLY BEACH, SOUTH CAROLINA, 29439
PHONE: 843. 588. 5021 404

CRABTREE NORTH APARTMENTS
ADMINISTRATIVE SITE REVIEW
RALEIGH, NORTH CAROLINA, 27716



REVISIONS

NO.	DATE	REVISION DESCRIPTION
1	11.19.19	REVISED PER CITY OF RALEIGH COMMENTS

PLAN INFORMATION

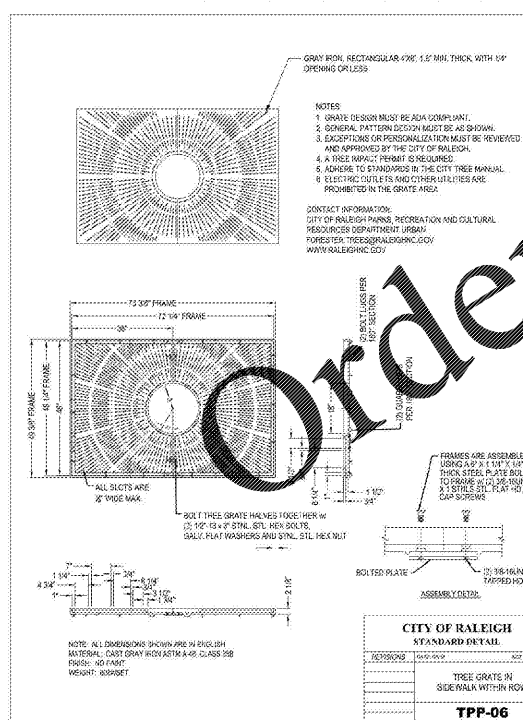
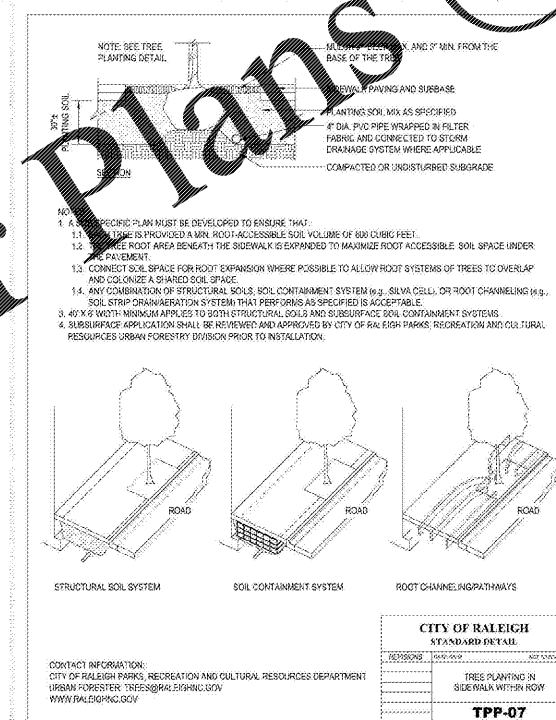
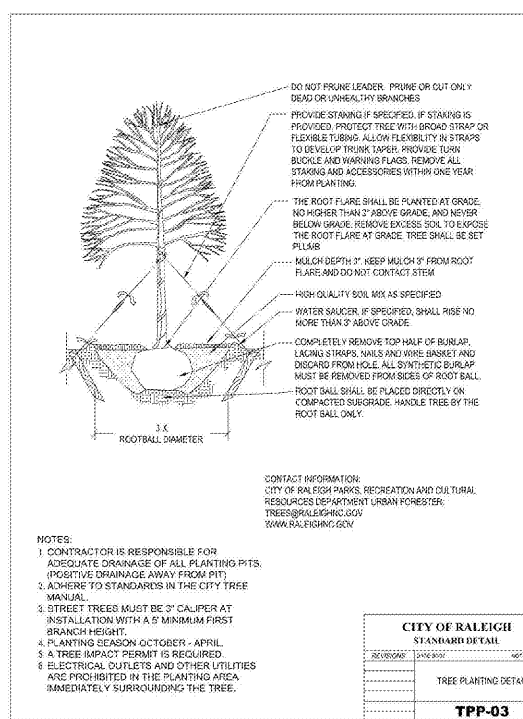
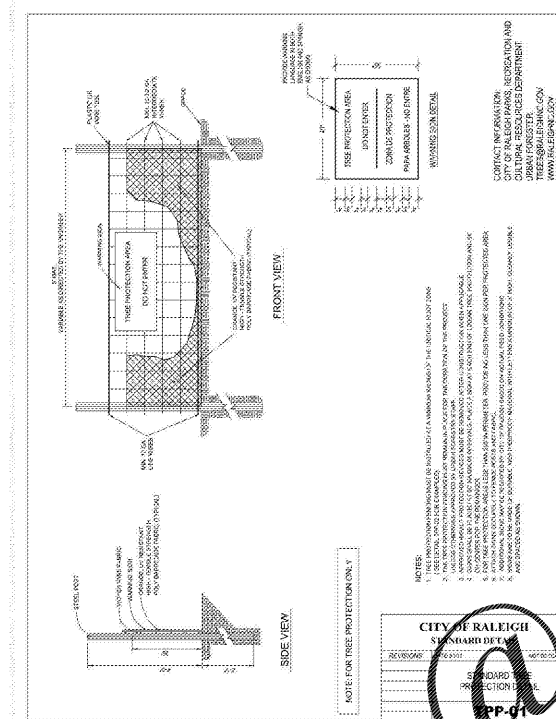
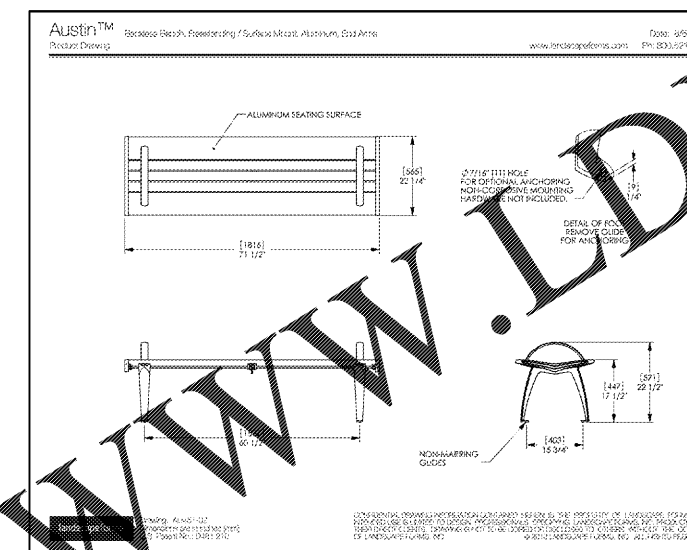
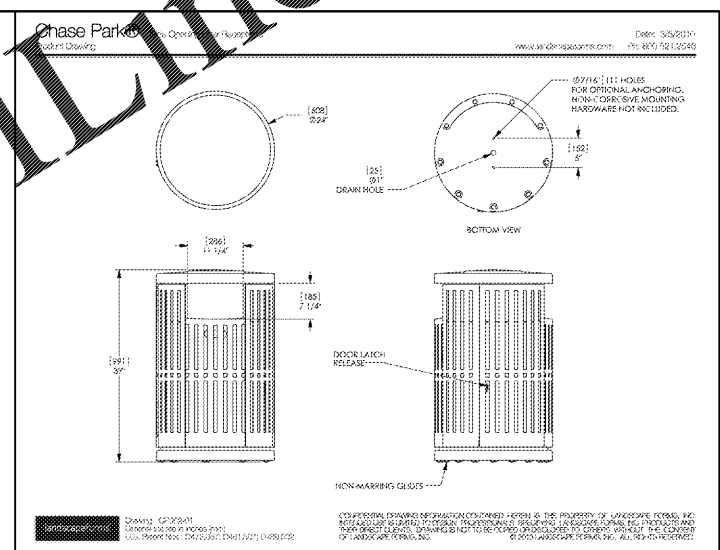
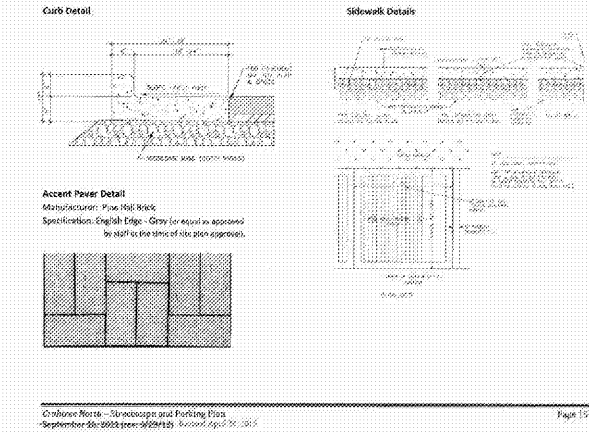
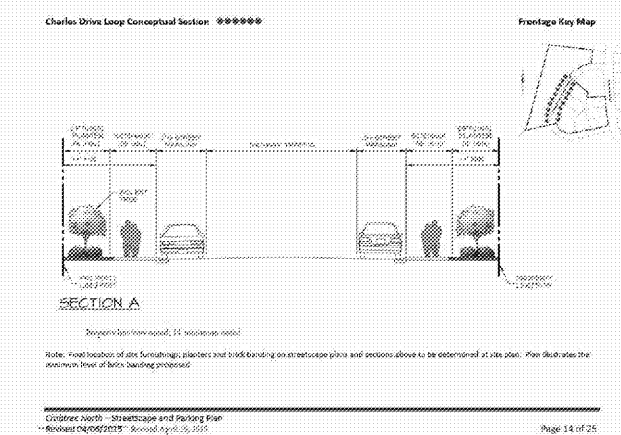
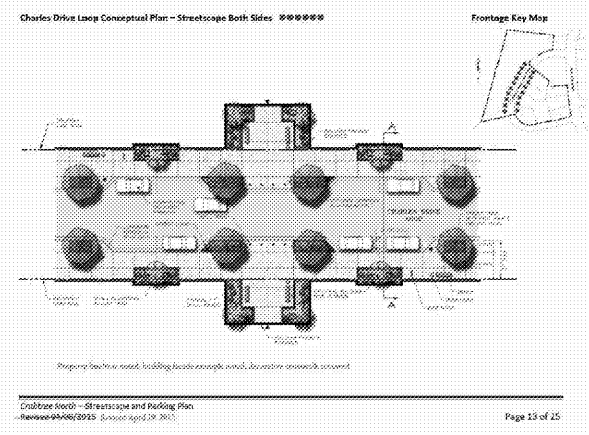
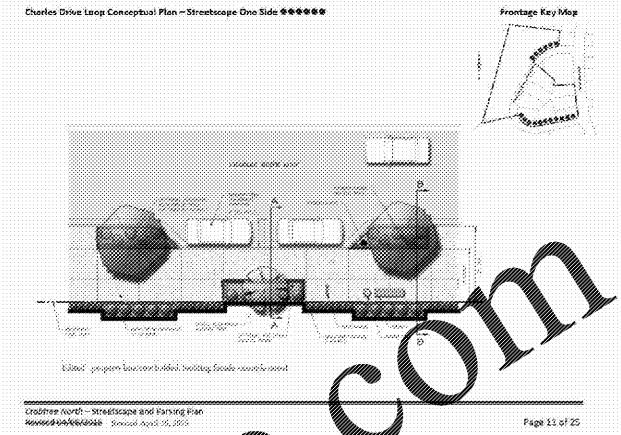
PROJECT NO. EYC-18000
 FILENAME EYC18000-D1
 CHECKED BY LJV
 DRAWN BY CJJ
 SCALE N/A
 DATE 07.08.2019
 SHEET

SITE DETAILS

C8.01

PRELIMINARY DRAWING - NOT RELEASED FOR CONSTRUCTION

ALL CONSTRUCTION SHALL CONFORM WITH THE LATEST VERSION OF THE CITY OF RALEIGH, SPECIFICATIONS AND DETAILS.



Order Plans @

X:\Projects\18000\18000-01\Construction Drawings\Current Drawings\18000-ASB-D1.dwg, 11/19/2019 1:51:00 PM, Vasili, Linda