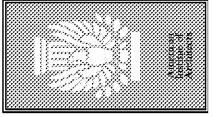


ISSUE	DATE	BY:
REVIEW	01/01/01	XX
PERMIT	01/01/01	XX
REV.		
REV.		
REV.		
REV.		
REV.		



Construction Documents for:

**TIRE CHOICE - GOLDENROD**  
**7412 HOFFNER AVE**  
**ORLANDO, FLORIDA**

Joseph H. Griner III, P.E. FL. 39491

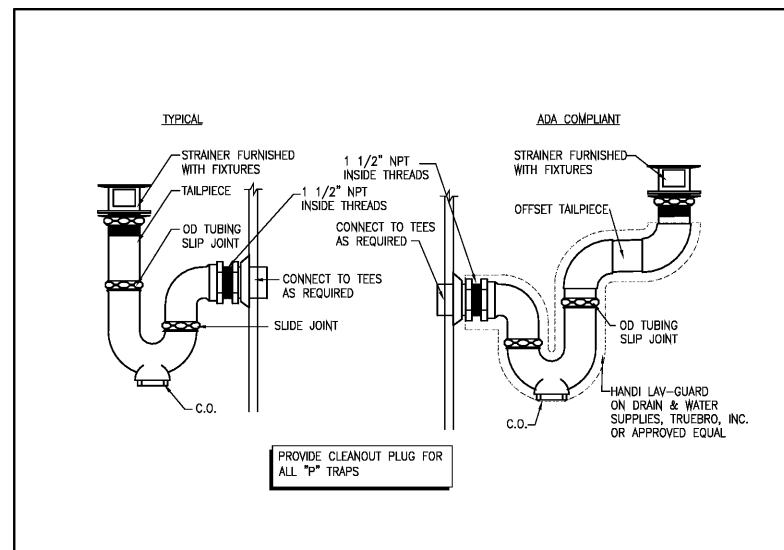
commercial residential architecture

**FRAZE design**

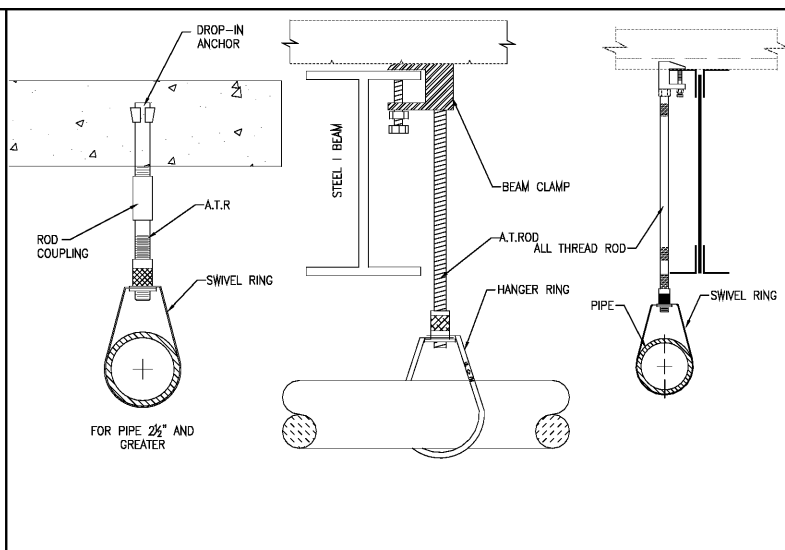
FLIC NO. AA23000539  
 ST. PETERSBURG, FLORIDA 33712  
 1750 CENTRAL AVENUE  
 PHONE: 727/528-3606  
 FAX: 727/528-3606

SHEET TITLE  
 PLUMBING  
 DETAILS

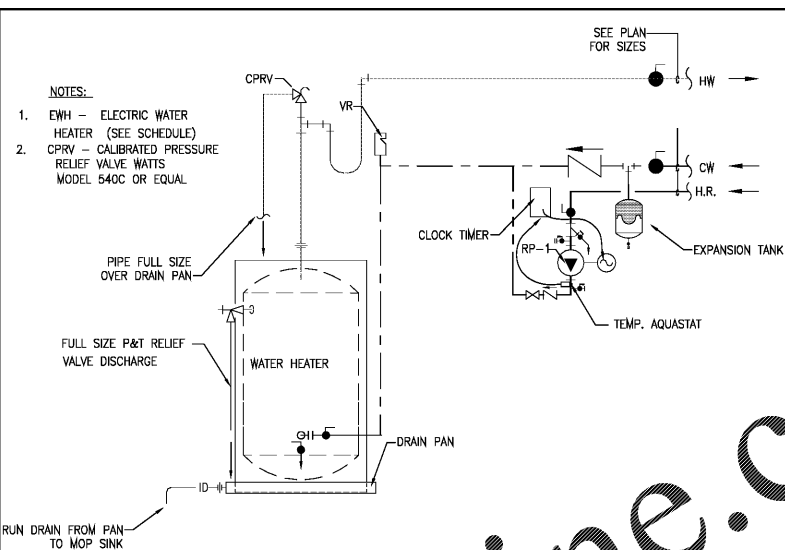
SHEET NUMBER  
**P-5**



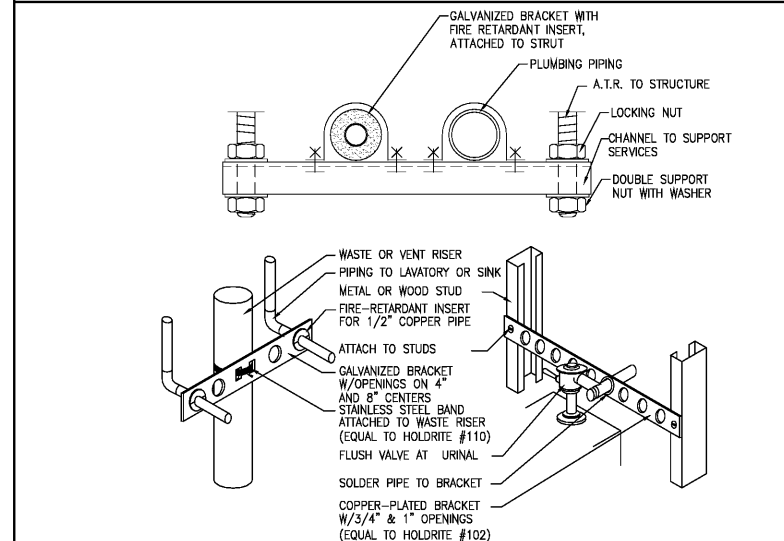
"P" TRAP WITH CLEANOUT DETAIL  
 NOT TO SCALE



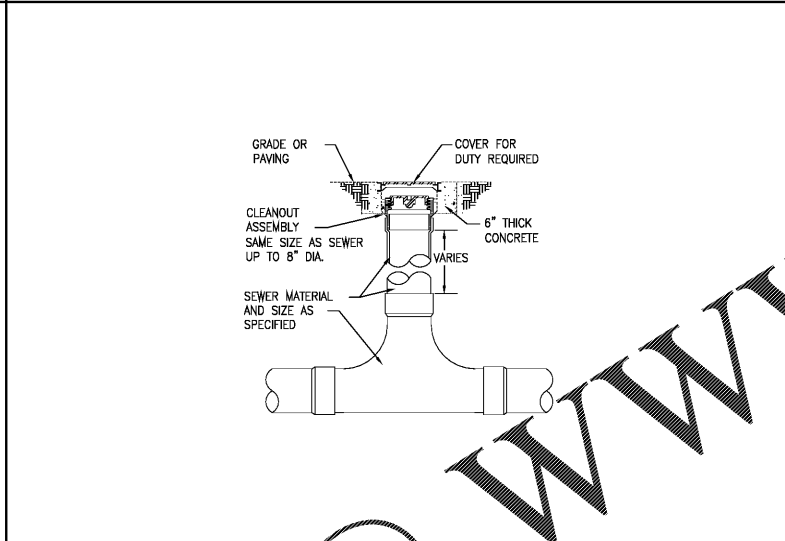
HANGERS ASSEMBLY  
 NOT TO SCALE



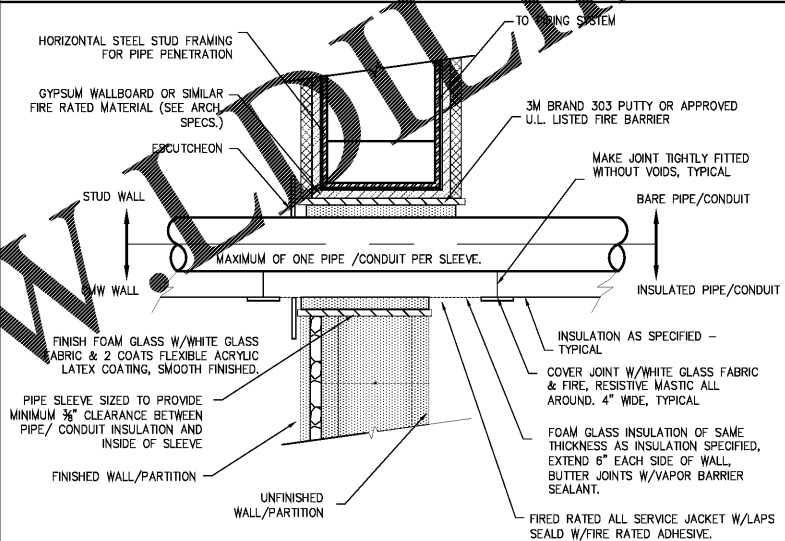
EWH-1 ELECTRIC WATER HEATER PIPING DIAGRAM  
 NOT TO SCALE



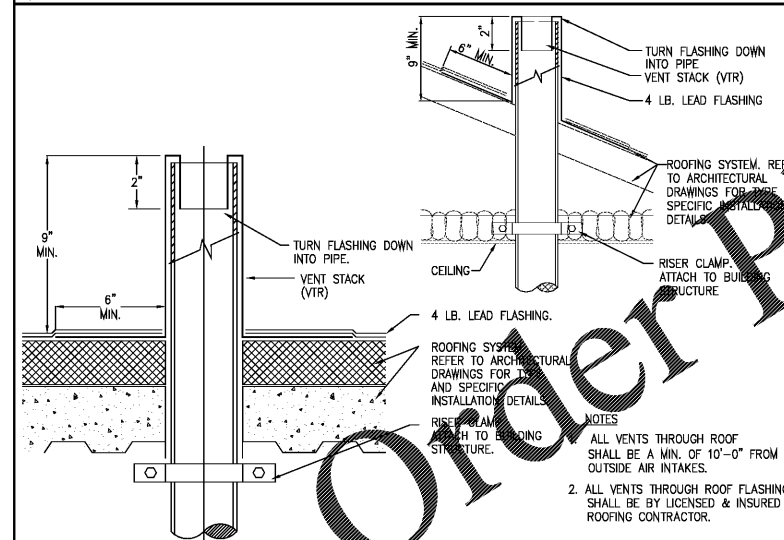
WATER PIPING SUPPORT DETAIL  
 NOT TO SCALE



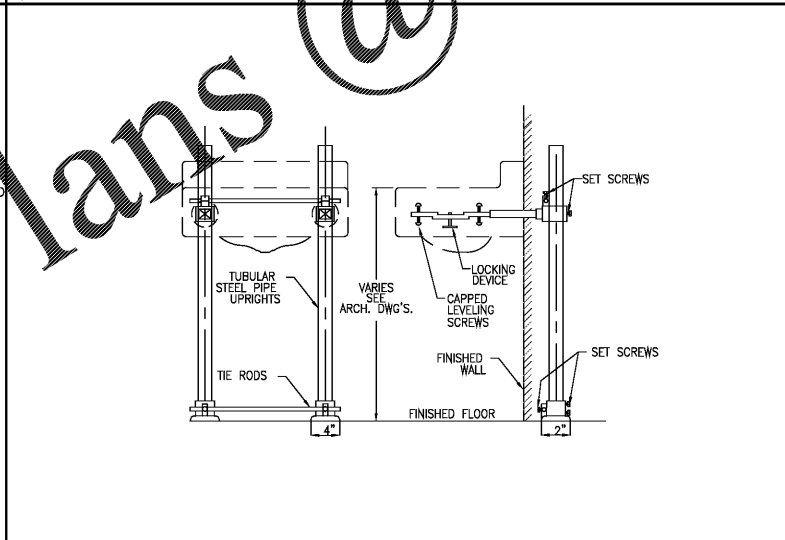
FLOOR AND YARD CLEANOUT DETAIL  
 NOT TO SCALE



2HR. RATED WALL PIPE PENETRATION DETAIL  
 NOT TO SCALE



VENT THROUGH ROOF  
 NOT TO SCALE



LAVATORY CARRIER  
 NOT TO SCALE

Order Plans @

www.pdfline.com

This item has been electronically signed and sealed by Joseph H. Griner, III using a Digital Signature and data. Printed copies of this document are not considered signed and sealed and the signature must be verified on any electronic copies.

THESE DOCUMENTS, DESIGNS, NOTES, DETAILS AND SPECIFICATIONS ARE THE SOLE PROPERTY OF FRAZE DESIGN, INC. AND SHALL NOT BE REPRODUCED, RE-USED OR COPIED FOR OTHER PROJECTS, IN WHOLE OR PART WITHOUT THE WRITTEN CONSENT OF FRANK FRAZE, ARCHITECT, AIA.

ALL RIGHTS ARE RESERVED BY THE ARCHITECT IN ACCORDANCE WITH U.S. COPYRIGHT AND PATENT LAWS. UNAUTHORIZED REPRODUCTION WILL BE PROSECUTED TO THE FULL EXTENT OF THE LAW.

THE DRAWINGS & DESIGN ARE VALID FOR 12 MONTHS FROM DATE OF BEING SEALED.

TO THE BEST OF THE ARCHITECT OR ENGINEER'S KNOWLEDGE AND BELIEF, THESE PLANS AND SPECIFICATIONS COMPLY WITH THE 6TH EDITION 2011 FLORIDA BUILDING CODE, IN ADDITION TO ANY OTHER APPLICABLE BUILDING CODES AND MINIMUM FIRE SAFETY STANDARDS.

ALL DIMENSIONS AND JOB CONDITIONS SHALL BE VERIFIED BY THE CONTRACTOR, ANY AND ALL DISCREPANCIES SHALL BE REPORTED TO THE ARCHITECT PRIOR TO COMMENCEMENT OF CONSTRUCTION.

**GRINER**

GRINER ENGINEERING, INC.  
 3125 Fifth Ave N., Suite 300  
 St. Petersburg, Florida 33713  
 Phone: (727)-822-2335  
 Fax: (727)-821-3361  
 Certificate of Authorization #3173

Date	12-06-2019
Drawn	JL
Designed	JL
EOR	JHG
Job no.	19113