

HVAC GENERAL NOTES

EXISTING WORK IS SHOWN IN ITS APPROXIMATE LOCATION AND ARRANGEMENT. EXISTING WORK SHOWN MAY NOT INCLUDE TO ALL EXISTING CONDITIONS. EXACT LOCATION, ARRANGEMENT, AND SIZES SHALL BE VERIFIED BEFORE STARTING ANY NEW WORK OR ORDERING ANY MATERIALS.

INSTALL DUCTWORK AND PIPING ABOVE CEILINGS WHERE POSSIBLE AND IN CHASES TO PROVIDE MAXIMUM POSSIBLE CLEARANCES FOR MAINTENANCE ACCESS. INSTALL PIPING AND DUCTWORK IN EQUIPMENT ROOMS PARALLEL OR PERPENDICULAR TO WALLS AND CEILINGS UNLESS SHOWN OTHERWISE.

ALL DUCTWORK AND PIPING SHALL BE CONCEALED UNLESS NOTED OTHERWISE.

COORDINATE THE INSTALLATION OF DUCTWORK AND PIPING WITH THAT OF OTHER TRADES TO PROVIDE THE BEST POSSIBLE ARRANGEMENT. REFER TO PLUMBING, ELECTRICAL, AND STRUCTURAL DRAWINGS AND SPRINKLER SHOP DRAWINGS. ARRANGE PIPING AND DUCTWORK TO AVOID CONFLICTS WITH OTHER BUILDING TRADES.

UNLESS DIMENSIONED, PIPING, DUCTWORK, AND EQUIPMENT ARE SHOWN IN APPROXIMATE LOCATIONS. EXACT CONFIGURATION SHALL BE DETERMINED IN THE FIELD TO COORDINATE WITH OTHER TRADES AND TO ALLOW FOR A MINIMUM NUMBER OF OFFSETS AS POSSIBLE WHILE ALLOWING FOR ADEQUATE MAINTENANCE ACCESS.

FURNISH FLEXIBLE DUCT CONNECTIONS TO ALL AIR HANDLING EQUIPMENT.

FURNISH FLANGED OR UNION CONNECTIONS IN PIPING AT ALL EQUIPMENT AND CONTROL VALVES, AND AS REQUIRED FOR SERVICE.

EXACT LOCATION OF AIR DEVICES SHALL BE DETERMINED IN THE FIELD. COORDINATE WITH ARCHITECTURAL REQUIREMENTS AND LIGHTING. REFER TO ARCHITECTURAL REFLECTED CEILING PLANS AND ELECTRICAL PLANS FOR LIGHT LOCATIONS. AIR DEVICE LOCATIONS SHALL BE INSTALLED WITH A UNIFORM APPEARANCE AND SHALL BE SYMMETRICAL.

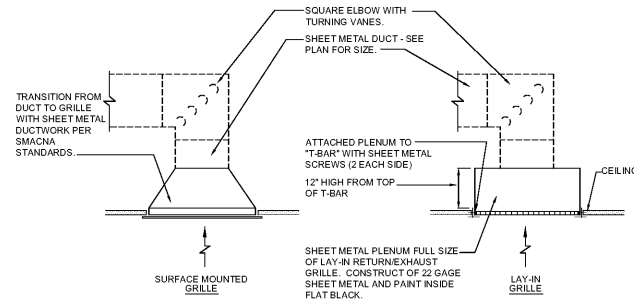
DUCT ACCESS DOORS SHALL BE FURNISHED AT ALL FIRE AND SMOKE DAMPERS, DUCT MOUNTED COILS, AND AT ALL DUCT MOUNTED CONTROL DEVICES.

SLOPE DRAIN LINE TOWARDS DRAIN WITH A MINIMUM SLOPE OF 1/4" PER FOOT.

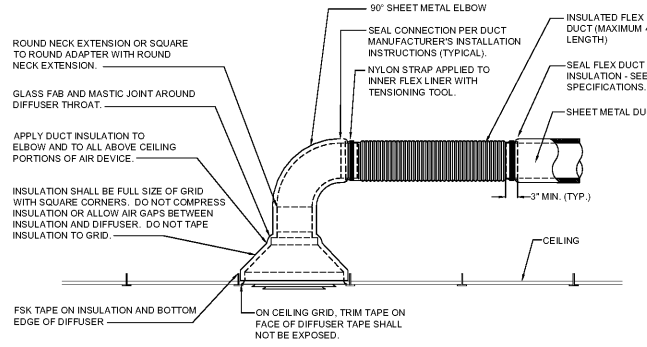
THERMOSTAT LOCATIONS SHALL BE A MINIMUM OF 8" AWAY FROM DOOR FRAMES. COORDINATE LOCATION OF THERMOSTATS WITH LIGHT SWITCHES AND OTHER WALL DEVICES FOR SYMMETRY. MOUNT AT 4'-0" A.F. UNLESS NOTED OTHERWISE.

H.V.A.C. LEGEND

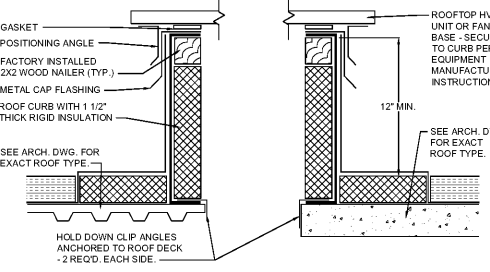
SYMBOL	DESCRIPTION
—S/L—	REFRIGERANT SUCTION / LIQUID
—D—	CONDENSATE DRAIN
⊖	THERMOSTAT 4'-0" A.F.
⊕	WALL SWITCH
+	FLEXIBLE DUCT CONNECTION AT UNIT
—	LINED DUCT (SIZE SHOWN IS METAL SIZE)
—	FLEXIBLE DUCT CONNECTION
□	SUPPLY DIFFUSER
□	RETURN / EXHAUST GRILLE
FD	FIRE DAMPER
SD	SMOKE DETECTOR
FSD	FIRE / SMOKE DAMPER
AD	ACCESS DOOR
CRD	CEILING RADIATION DAMPER
□	SQUARE ELBOW WITH TURNING VANES
MVD	MANUAL VOLUME DAMPER
MO	MOTOR OPERATED DAMPER
—	SEE AIR DEVICE SCHEDULE FOR TYPE NECK CONNECTION SIZE UNLESS NOTED OTHERWISE
f	C.F.M. CUBIC FEET PER MINUTE
(F1)	EQUIPMENT NUMBER - SEE SCHEDULES
→	AIRFLOW DIRECTION - SEE SCHEDULES
∅	DIAMETER
—	AIR EXTRACTOR
OB	OPPOSED BLADE DAMPER
TYP.	TYPICAL
ENT.	ENTERING
LVG.	LEAVING
S.P.	STATIC PRESSURE
OA	OUTDOOR AIR
A.P.D.	AIR PRESSURE DROP
NE	NEW TO EXISTING
⊙ T	TEMP. SENSOR - REFER TO CONTROLS POINTS LIST
⊙ H	HUMIDITY SENSOR



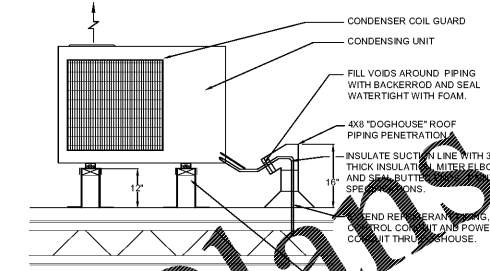
2 EXHAUST/RETURN GRILLE CONNECTION DETAILS
M3.0 SCALE: NONE



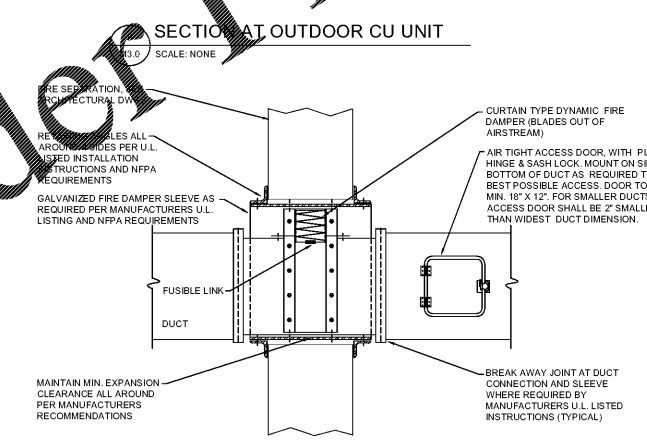
3 ROUND DUCT CONNECTION DETAIL
M3.0 SCALE: NONE



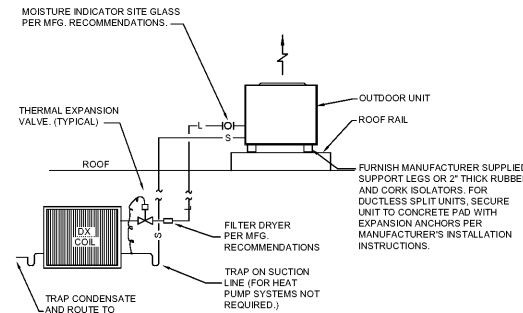
4 ROOF CURB DETAIL
M3.0 SCALE: NONE



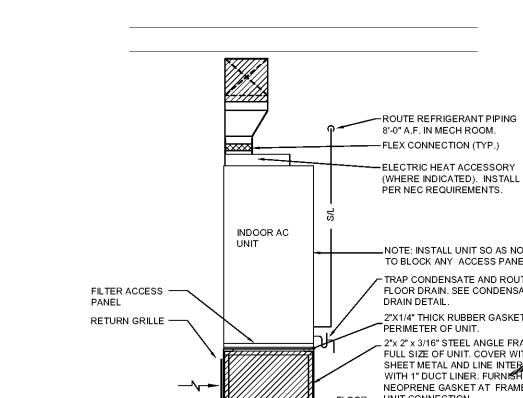
5 SECTION AT OUTDOOR CU UNIT
M3.0 SCALE: NONE



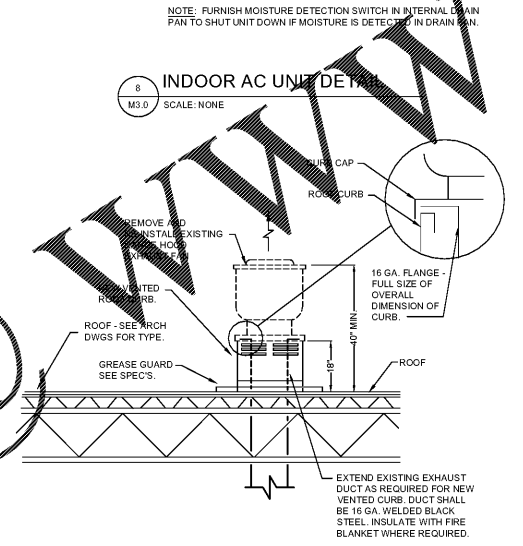
6 FIRE DAMPER DETAIL
M3.0 SCALE: NONE



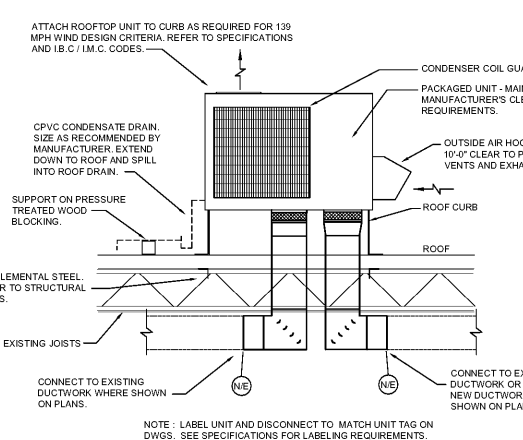
7 REFRIGERANT PIPING SCHEMATIC
M3.0 SCALE: NONE



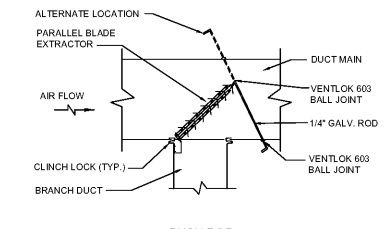
8 INDOOR AC UNIT DETAIL
M3.0 SCALE: NONE



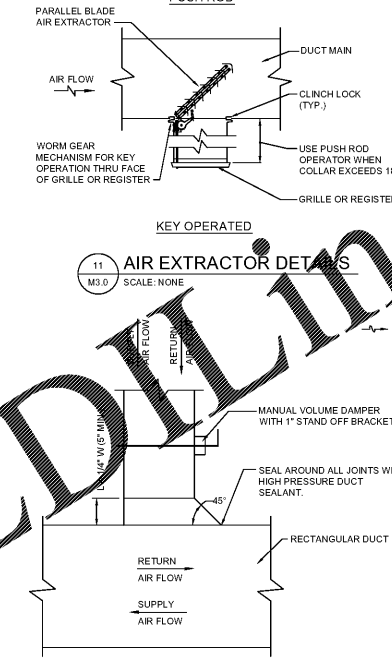
9 KITCHEN RANGEHOOD EXHAUST FAN DETAIL
M3.0 SCALE: NONE



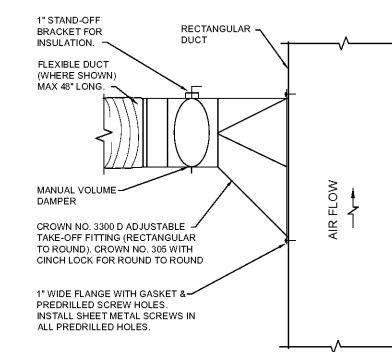
10 PACKAGED ROOFTOP UNIT DETAIL
M3.0 SCALE: NONE



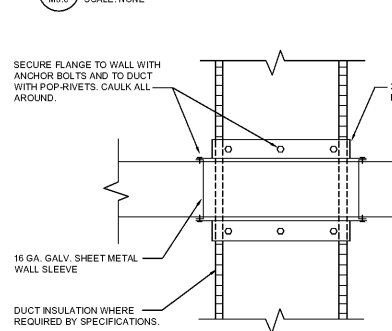
11 AIR EXTRACTOR DETAILS
M3.0 SCALE: NONE



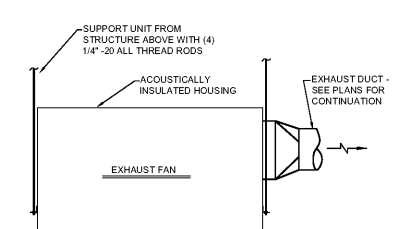
12 RECTANGULAR TAKE-OFF DETAIL FOR SUPPLY AND RETURN DUCTWORK
M3.0 SCALE: NONE



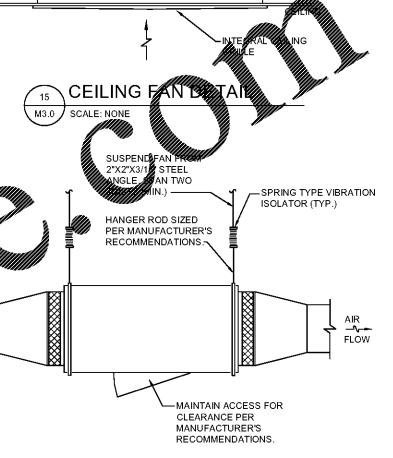
13 SUPPLY DUCT TAKEOFF FITTING DETAIL
M3.0 SCALE: NONE



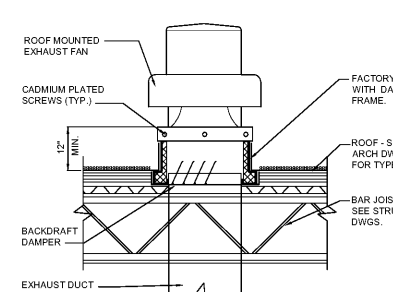
14 DUCT SLEEVE DETAIL
M3.0 SCALE: NONE



15 CEILING FAN DETAIL
M3.0 SCALE: NONE



16 INLINE EXHAUST FAN DETAIL
M3.0 SCALE: NONE



17 ROOF MOUNTED EXHAUST FAN DETAIL
M3.0 SCALE: NONE



CROOKED RIVER ELEMENTARY SCHOOL RENOVATION
 ST. MARY'S CAMDEN COUNTY BOARD OF EDUCATION
 GEORGIA
 SCHOOL CODE: 620-0187
 JAMES W. BUCKLEY & ASSOCIATES INC. - ARCHITECTS
 3000 WOODLAND AVENUE, SUITE 200, ALBANY, GA 31706

HVAC NOTES, LEGEND & DETAILS



ISSUED FOR:
 FINAL BID
 MHW
 DRAWN BY: CAB
 CHECKED BY: CAB
 APPROVED BY: CAB
 PROJECT DATE: 2/6/20
 PROJECT TITLE: M3.0
 PROJECT NUMBER: 11/22/2019 2:34:04 PM

DELTA ENGINEERING
 204-A Pleasant Way - Augusta, GA 30909
 706-364-1770 - deltaeng.net
 SHEET NUMBER: M3.0
 Copyright (c) 2019 All Rights Reserved