

THIS DRAWING, THE DECISIONS OF WHICH ARE BY LAW TO BE THE PROPERTY OF CHAPMAN GRIFFIN LANIER SUSSENBACH ARCHITECTS, INC. AND MAY NOT BE USED OR REPRODUCED WITHOUT THEIR WRITTEN PERMISSION.

RELEASED FOR CONSTRUCTION

CONTRACT NO.



DATE	NO.	DESCRIPTION
12/04/19		SOW CONSTRUCTION SET
01/13/20		FINAL ODD/PERMIT SET
02/03/20		ISSUED FOR BID

DATE	NO.	DESCRIPTION
12/04/19		SOW CONSTRUCTION SET
01/13/20		FINAL ODD/PERMIT SET
02/03/20		ISSUED FOR BID

RIVERWOOD HIGH SCHOOL - PHASE 3 AUDITORIUM/GYMNASIUM ADDITION
6900 RAIDER DRIVE NW SANDY SPRINGS, GA 30328
FULTON COUNTY SCHOOLS RFP NO. 415-20

CHAPMAN GRIFFIN LANIER SUSSENBACH ARCHITECTS
400 Galleria Pkwy., Suite 100, Atlanta, Ga 30339 Phone: 404.733.5493

BRACE DETAILS & ELEVATIONS

PROJECT NO. 16015.03

DATE 01/13/2020

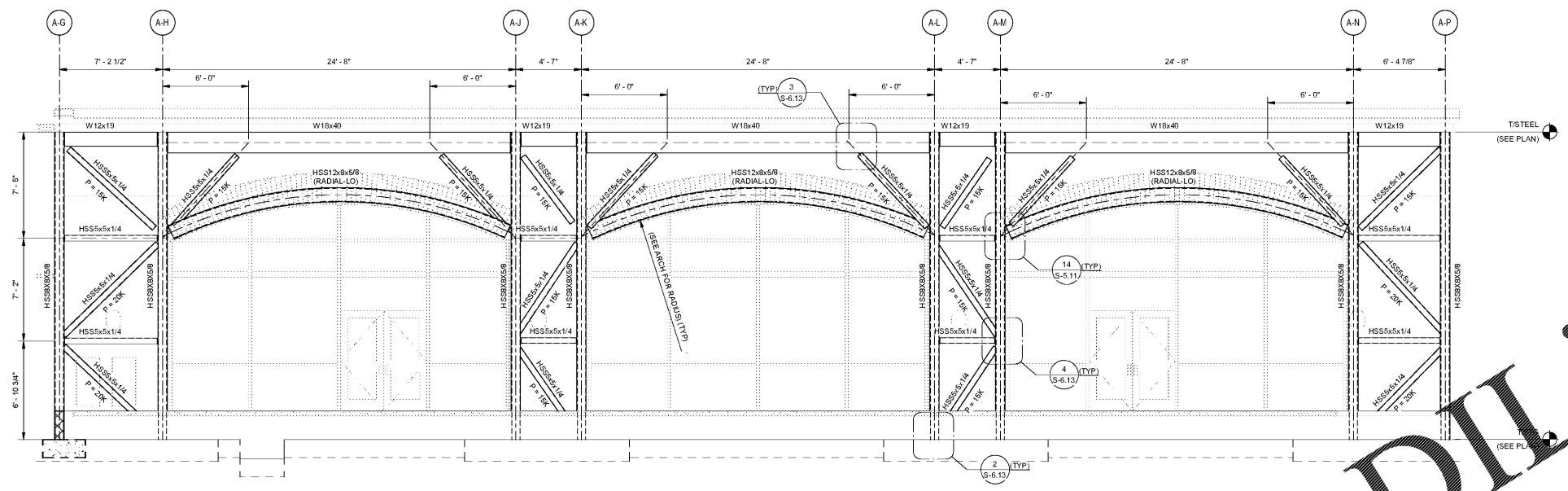
DRAWN BY: RAS
CHECKED BY: ABS

SHEET NO.

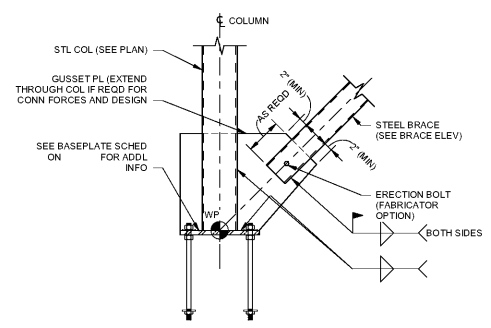
S-6.13

PES STRUCTURAL ENGINEERS

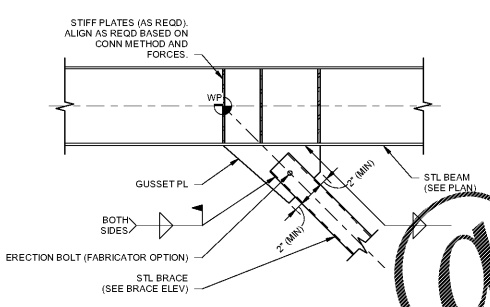
ADDRESS: 1852 Cantary Place NE, Suite 201, Atlanta, Georgia 30345
PHONE: 770-457-5903 FAX: 770-457-9999 WEB: www.pesengineers.com
PES PROJECT NUMBER: 0219172
PES GEORGIA COA NUMBER: PEF000799
EXPIRATION DATE: 06/30/2020



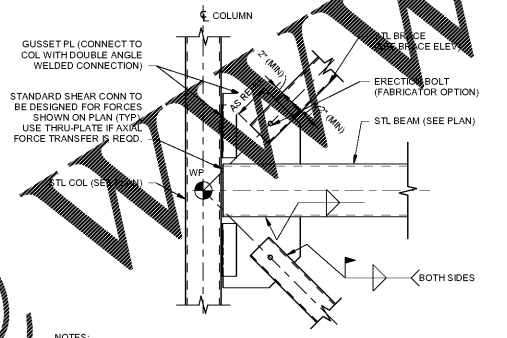
BRACE ELEVATION ALONG A-7
SCALE: 1/4" = 1'-0"



HSS COLUMN BASE WITH BRACE CONNECTION
SCALE: 3/4" = 1'-0"



WIDE FLANGE BEAM WITH BRACE CONNECTION
SCALE: 3/4" = 1'-0"



HSS FLANGE BEAM TO HSS COLUMN WITH BRACE CONNECTION
SCALE: 3/4" = 1'-0"

- NOTES:**
- FABRICATOR SHALL SUBMIT BRACE CONNECTION CALCULATIONS WITH SHOP DRAWINGS. CONNECTIONS SHALL BE DESIGNED FOR FORCES SHOWN ON BRACE ELEVATIONS AND FRAMING PLANS.
 - FABRICATOR HAS THE OPTION TO USE BOLTED GUSSET CONNECTIONS. SUBMIT DETAIL FOR REVIEW AND ACCEPTANCE PRIOR TO SUBMITTING SHOP DRAWINGS.
 - AT SIMILAR CONDITIONS EITHER THE TOP OR BOTTOM BRACE WILL NOT BE PRESENT.

www.LDILine.com

Order Plans @

G
F
E
D
C
B
A

2/2/2020 11:34:27 AM