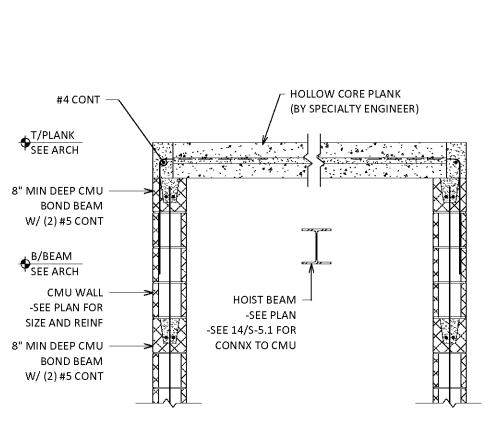
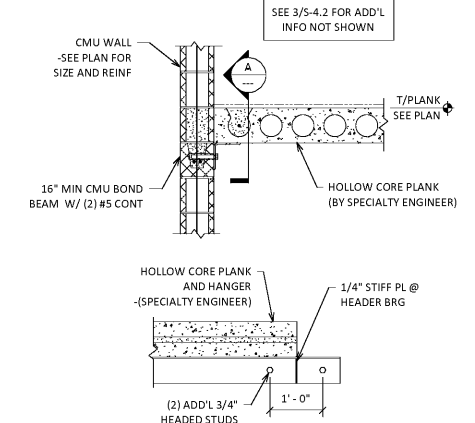


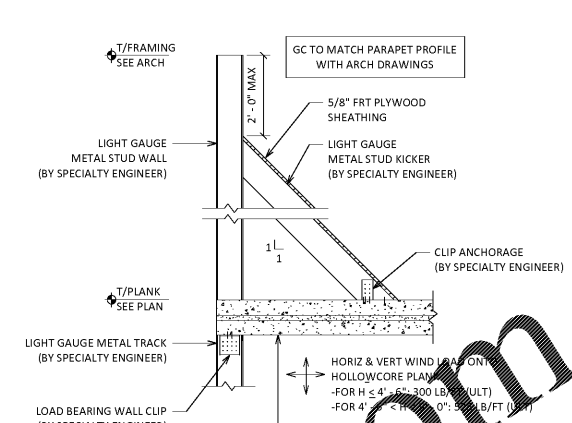
Order Plans @ www.LDOnline.com



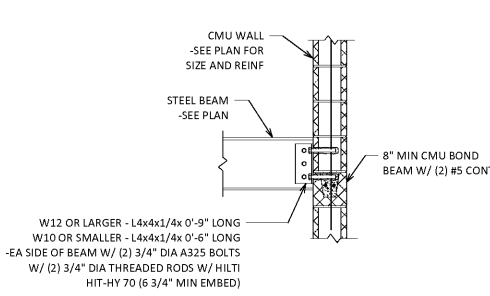
9 SECTION AT ELEVATOR ROOF
3/4" = 1'-0"



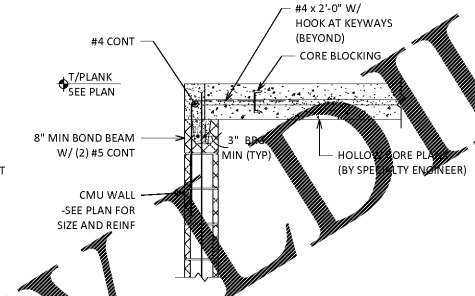
5 LEDGER AT CMU OPENING
3/4" = 1'-0"



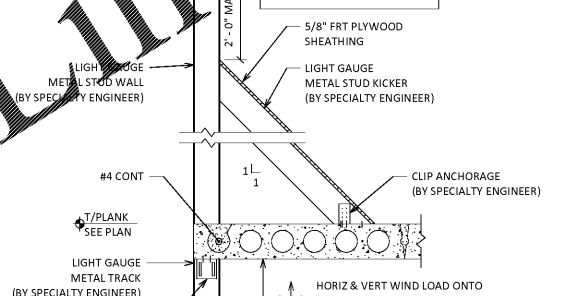
1 PARAPET SECTION AT LOAD BEARING WALL
3/4" = 1'-0"



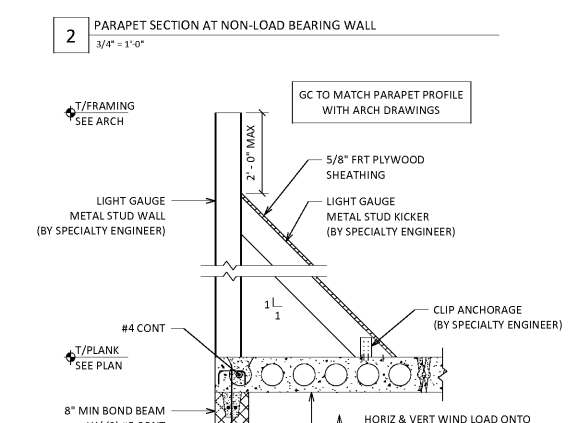
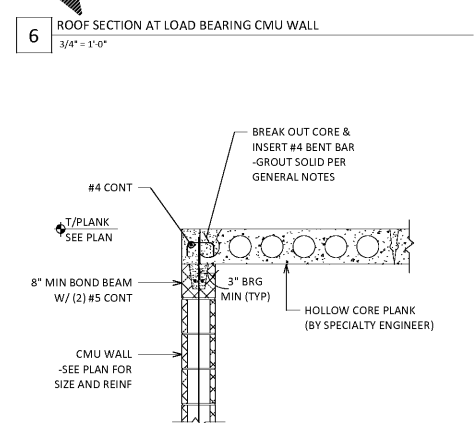
10 TYPICAL STEEL BEAM CONNX AT CMU WALL
3/4" = 1'-0"



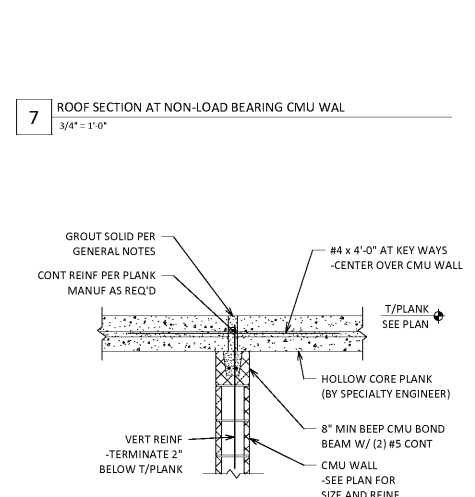
6 ROOF SECTION AT LOAD BEARING CMU WALL
3/4" = 1'-0"



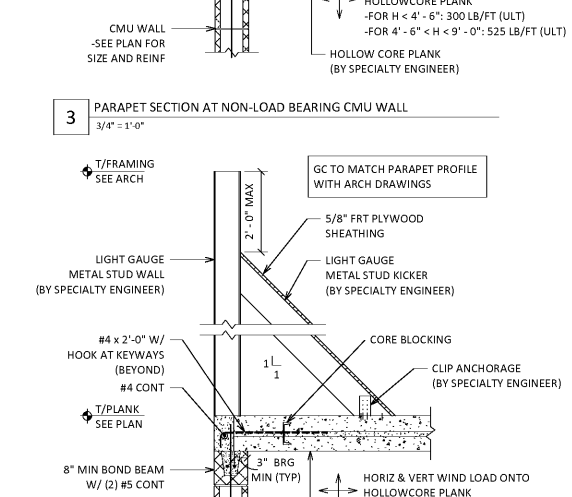
2 PARAPET SECTION AT NON-LOAD BEARING WALL
3/4" = 1'-0"



10 TYPICAL STEEL BEAM CONNX AT CMU WALL
3/4" = 1'-0"



6 ROOF SECTION AT NON-LOAD BEARING CMU WALL
3/4" = 1'-0"



3 PARAPET SECTION AT NON-LOAD BEARING CMU WALL
3/4" = 1'-0"



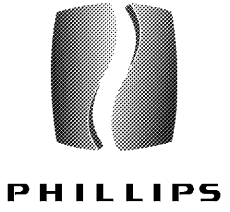
10 TYPICAL STEEL BEAM CONNX AT CMU WALL
3/4" = 1'-0"



6 ROOF SECTION AT INTERIOR BEARING WALL
3/4" = 1'-0"



4 PARAPET SECTION AT LOAD BEARING CMU WALL
3/4" = 1'-0"



CONSULTANT
DVI + M
DEL VALLE + MCNEIL, LLC
Structural Engineers
www.dvmstructural.com
404.369.0058
Project No. 19-201035
GA COA #: PEF007235



ISSUE & REVISION RECORD

| DATE | DESCRIPTION |
|------------|----------------------------|
| 11/21/2019 | DESIGN DEVELOPMENT PLANS |
| 12/02/2019 | 90% CONSTRUCTION DOCUMENTS |
| 01/20/2020 | PERMIT SET |

This document is the property of Phillips Partnership, P.C. and is considered an instrument of service and is loaned for use with respect to the project as indicated above. All rights reserved. This document may not be reproduced without the prior written consent of Phillips Partnership, P.C.

PROJECT
Hilton Garden Inn
MALL OF GEORGIA
CURRENT VERSION: V-0.2 (NOV. 2018)
NEW CONSTRUCTION
4 STORIES-109 GUESTROOMS
CURRENT CODE: IBC 2018
CONSTRUCTION TYPE: IIA
OCCUPANCY: R-1
Hilton Garden Inn Ariston,
Mall of Georgia, Buford, GA



PHILLIPS JOB NUMBER: 1903613
ISSUE DATE: 01/20/2020
DRAWN BY/CHECKED BY: GH / TDV
DRAWING TITLE: ROOF FRAMING SECTIONS & DETAILS

SHEET NUMBER
S-4.2

5901 PEACHTREE DUNWOODY RD.
BUILDING A, SUITE 450
ATLANTA, GEORGIA 30328
PHILLIPSPART.COM 770-394-1616

FOR CONSTRUCTION