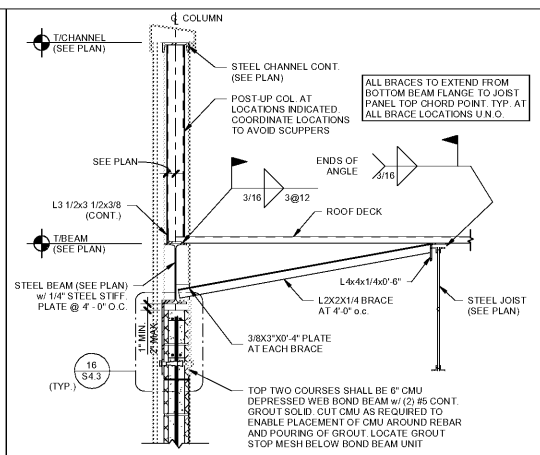
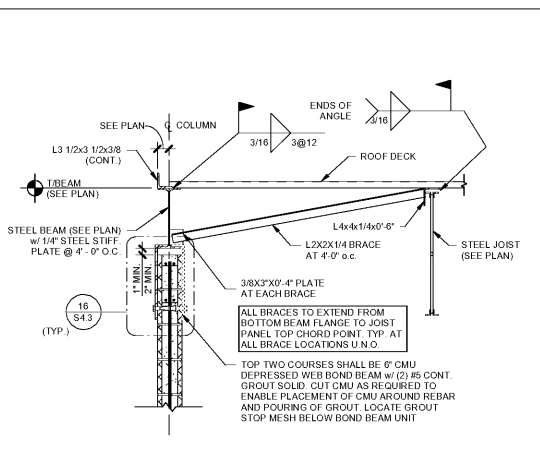


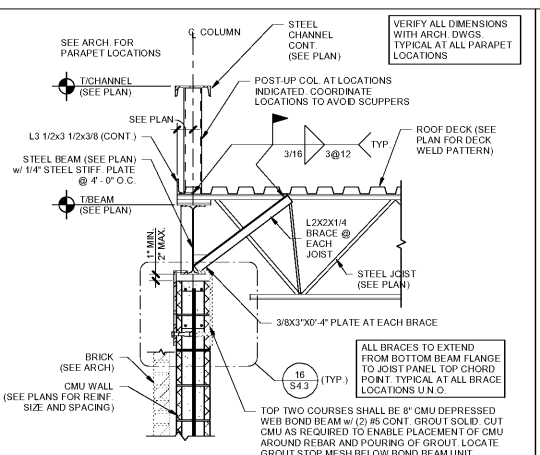
1 EXTERIOR WALL JOIST BEARING @ 6" CMU
S4.3 3/4" = 1'-0"



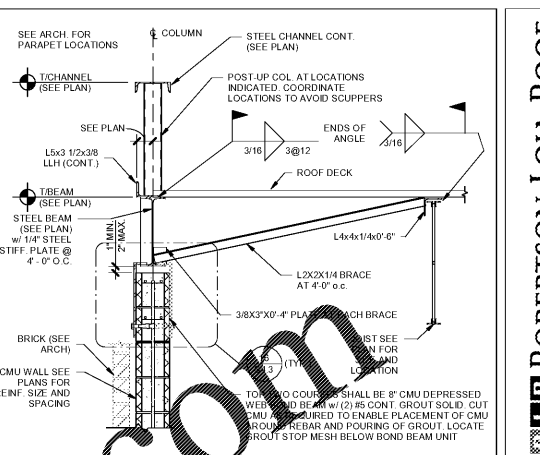
2 EXTERIOR WALL DECK BEARING @ 6" CMU
S4.3 3/4" = 1'-0"



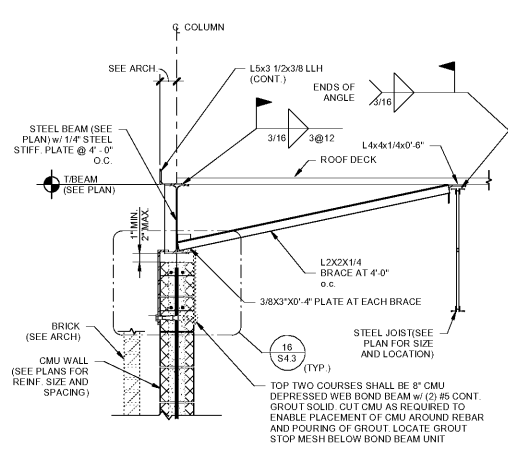
3 EXT. WALL DECK BEARING @ 6" CMU (NO PARAPET)
S4.3 3/4" = 1'-0"



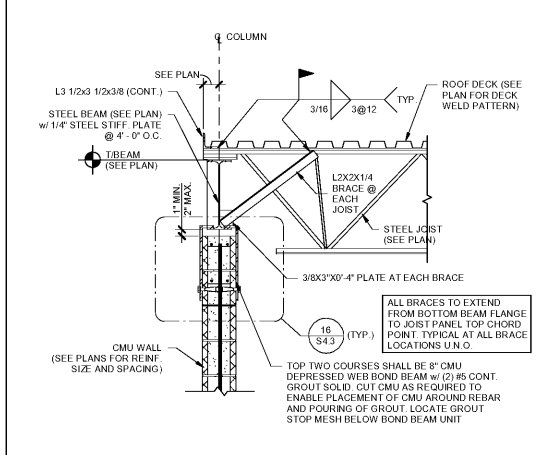
4 EXTERIOR WALL JOIST BEARING @ 8" CMU
S4.3 3/4" = 1'-0"



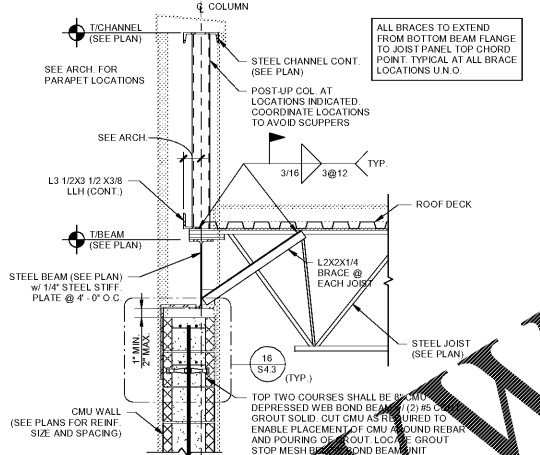
5 EXTERIOR WALL DECK BEARING @ 8" CMU
S4.3 3/4" = 1'-0"



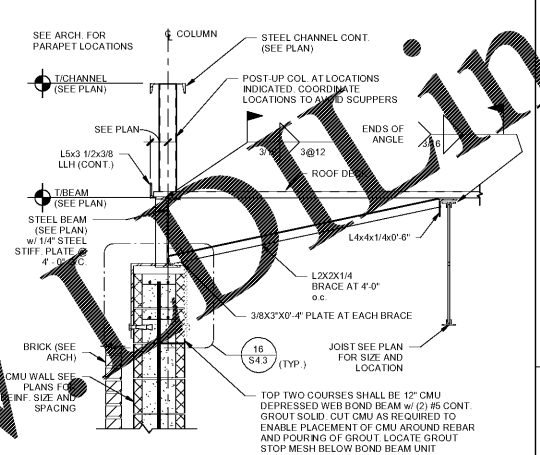
6 EXT. WALL DECK BEARING @ 8" CMU (NO PARAPET)
S4.3 3/4" = 1'-0"



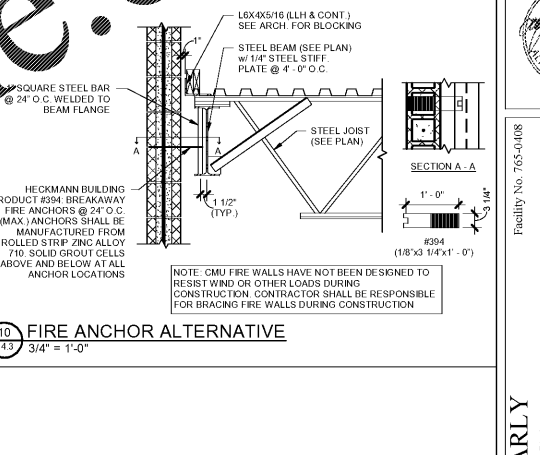
7 EXT. WALL JOIST BEARING @ 8" CMU (NO PARAPET)
S4.3 3/4" = 1'-0"



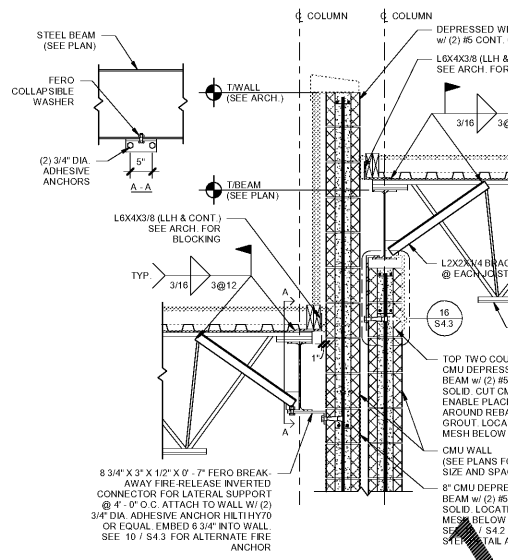
8 EXTERIOR WALL JOIST BEARING @ 10" CMU
S4.3 3/4" = 1'-0"



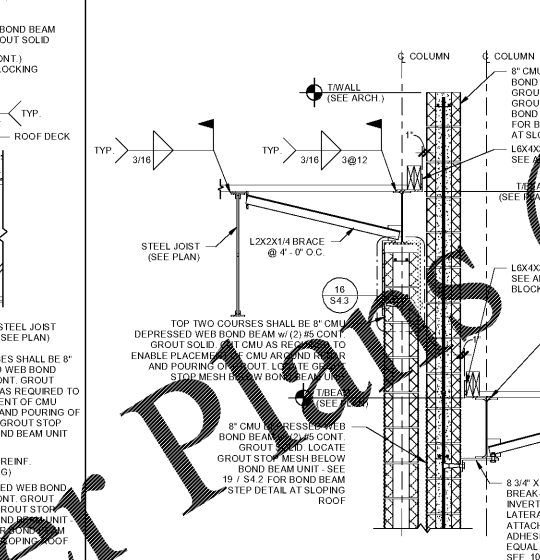
9 EXTERIOR WALL DECK BEARING @ 12" CMU
S4.3 3/4" = 1'-0"



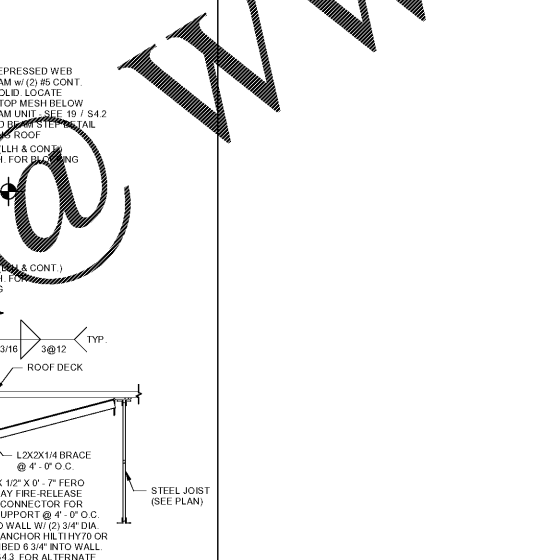
10 FIRE ANCHOR ALTERNATIVE
S4.3 3/4" = 1'-0"



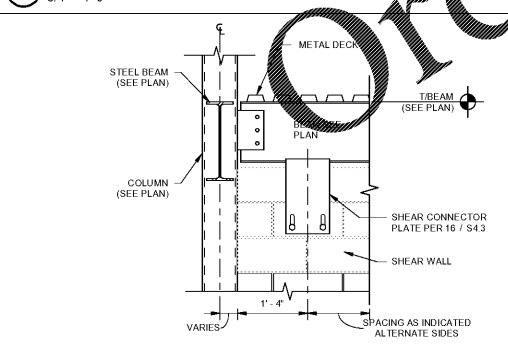
11 ROOF SECTION @ FIRE WALL
S4.3 3/4" = 1'-0"



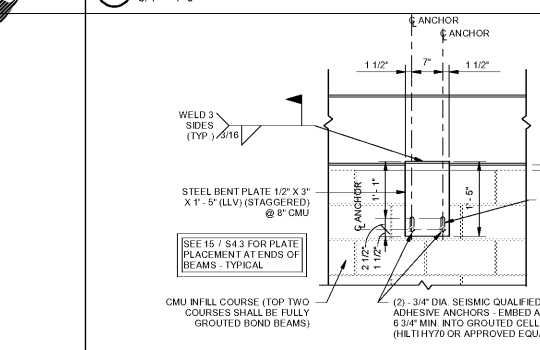
12 ROOF SECTION @ FIRE WALL 2
S4.3 3/4" = 1'-0"



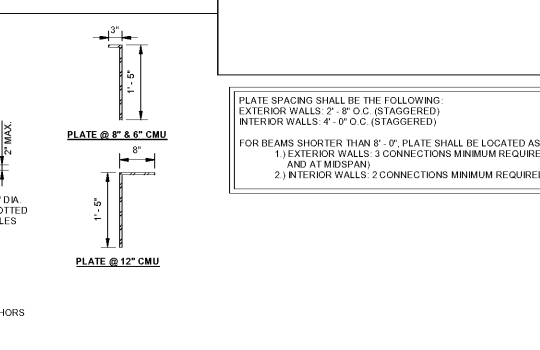
13 ROOF SECTION @ FIRE WALL 2
S4.3 3/4" = 1'-0"



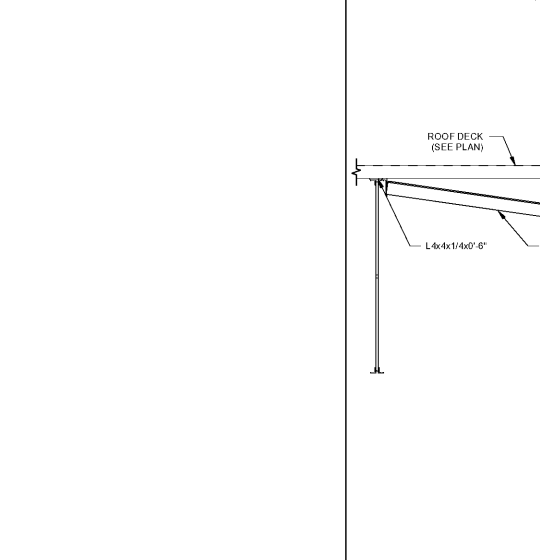
15 SHEAR CONNECTOR PLATE AT COL.
S4.3 3/4" = 1'-0"



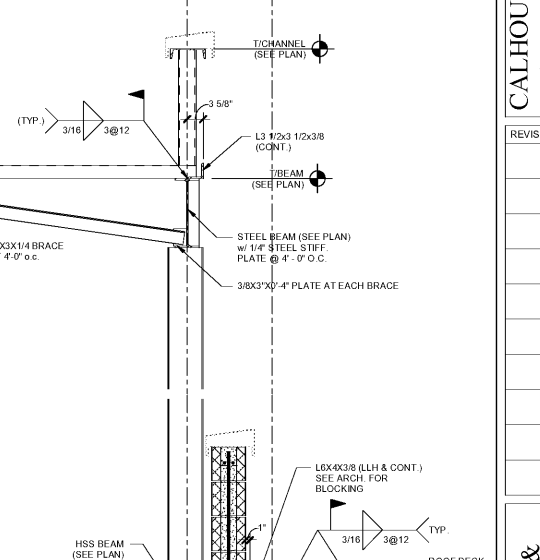
16 CMU CONNECTION PLATE
S4.3 3/4" = 1'-0"



17 PLATE SPACING
S4.3 3/4" = 1'-0"



14 ROOF SECTION @ GYM
S4.3 3/4" = 1'-0"



15 ROOF SECTION @ GYM
S4.3 3/4" = 1'-0"

Order Plans @ WWW.WJOnline.com

NO.	REVISIONS