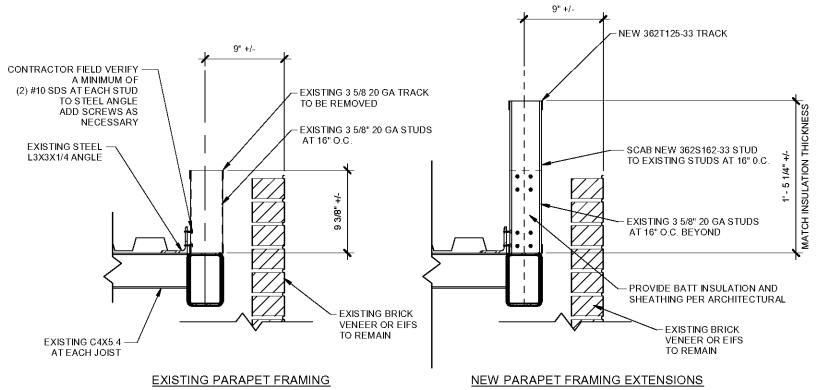
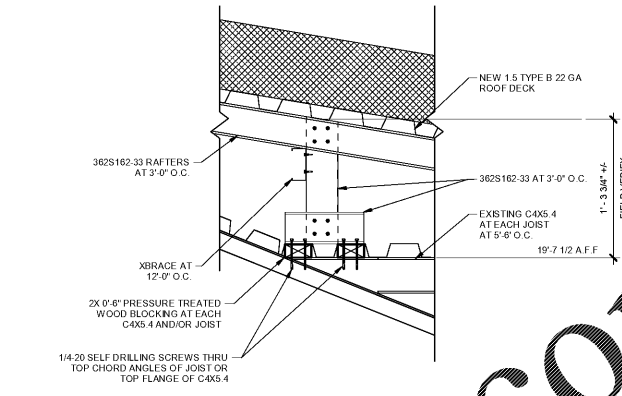


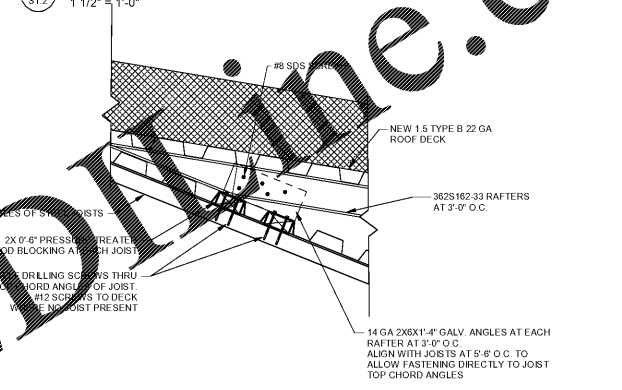
1 Roof Overbuild Framing Section
3/4" = 1'-0"



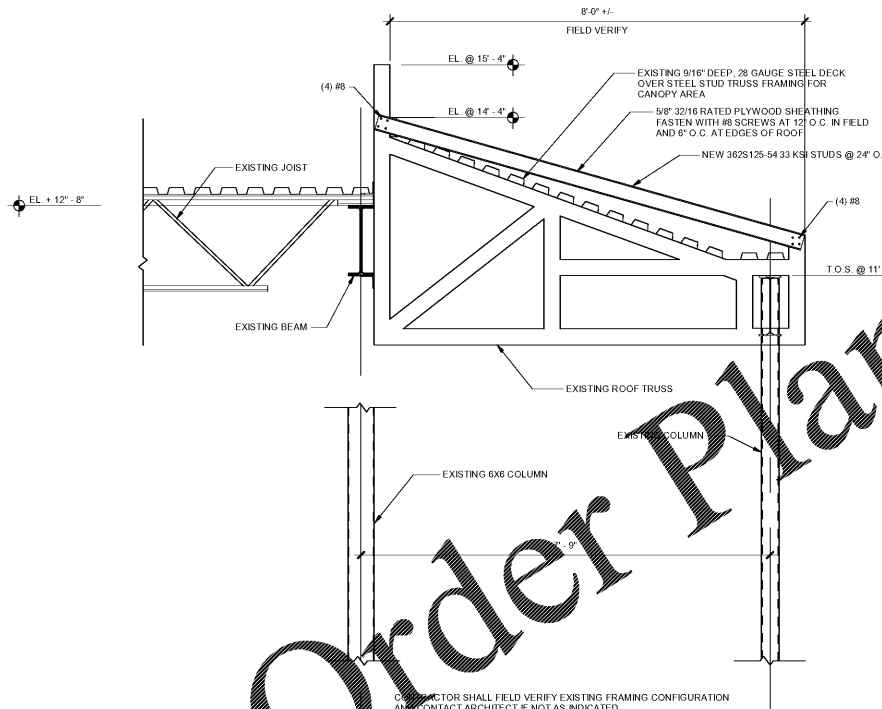
2 PARAPET FRAMING DETAIL
1 1/2" = 1'-0"



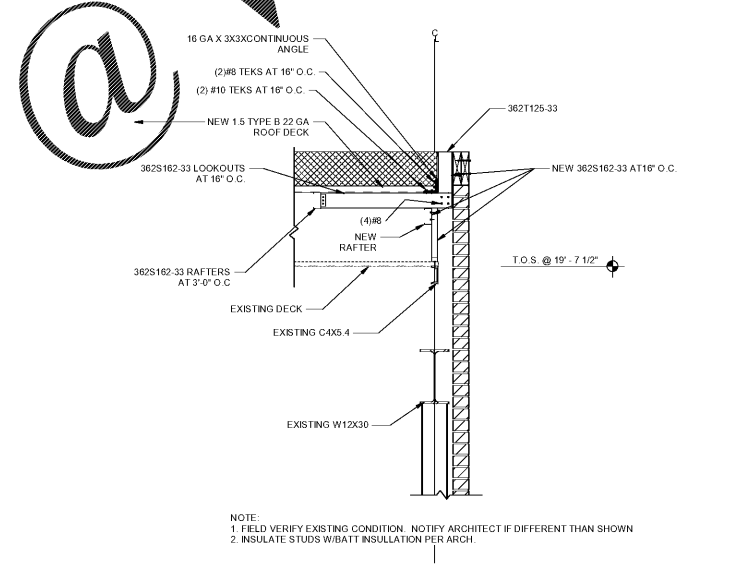
3 POST DETAIL
1 1/2" = 1'-0"



4 RAFTER TO EXISTING ROOF DETAIL
1 1/2" = 1'-0"



5 TRUSS OVERBUILD DETAIL
3/4" = 1'-0"



6 DECK FRAMING AT EXISTING GYM GABLE END
3/4" = 1'-0"

Order Plans

WWW.LDOnline.com

REVISIONS

SECTIONS AND DETAILS

DATE: 12-06-2019

PROJECT NUMBER: 19-309

SHEET NUMBER

S1.2