

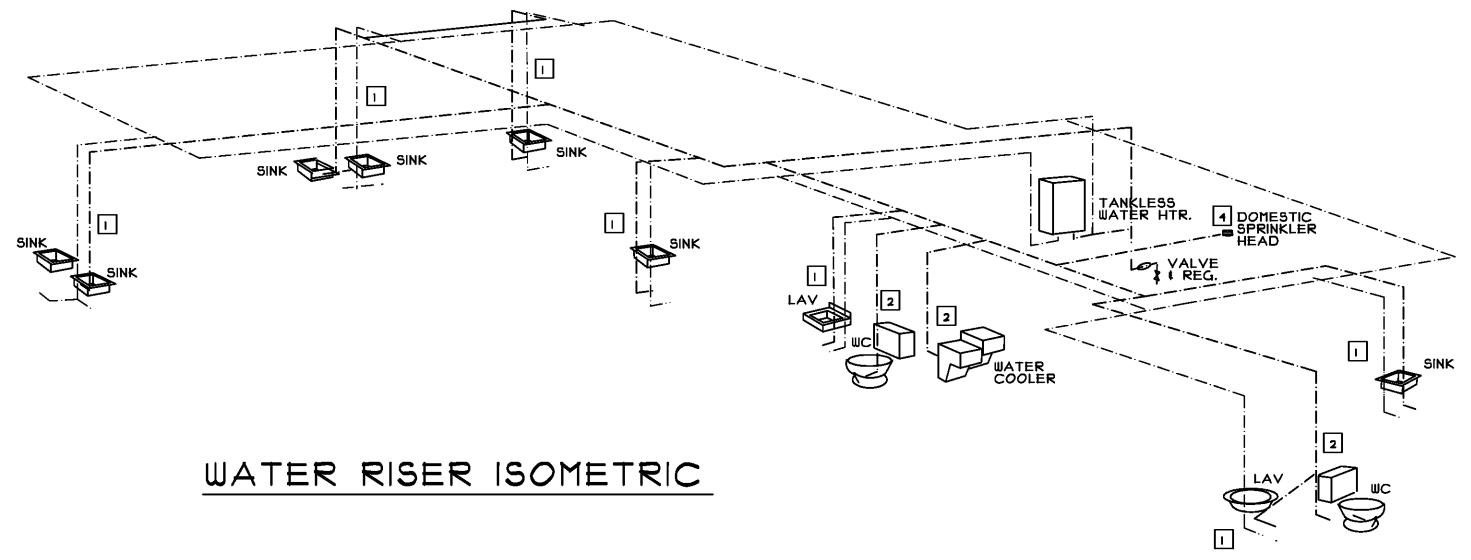


DAVID L. HOLLOWAY & ASSOCIATES  
 ARCHITECT  
 1988 WINDCREST DRIVE  
 LILBURN, GA. (678) 908-6654

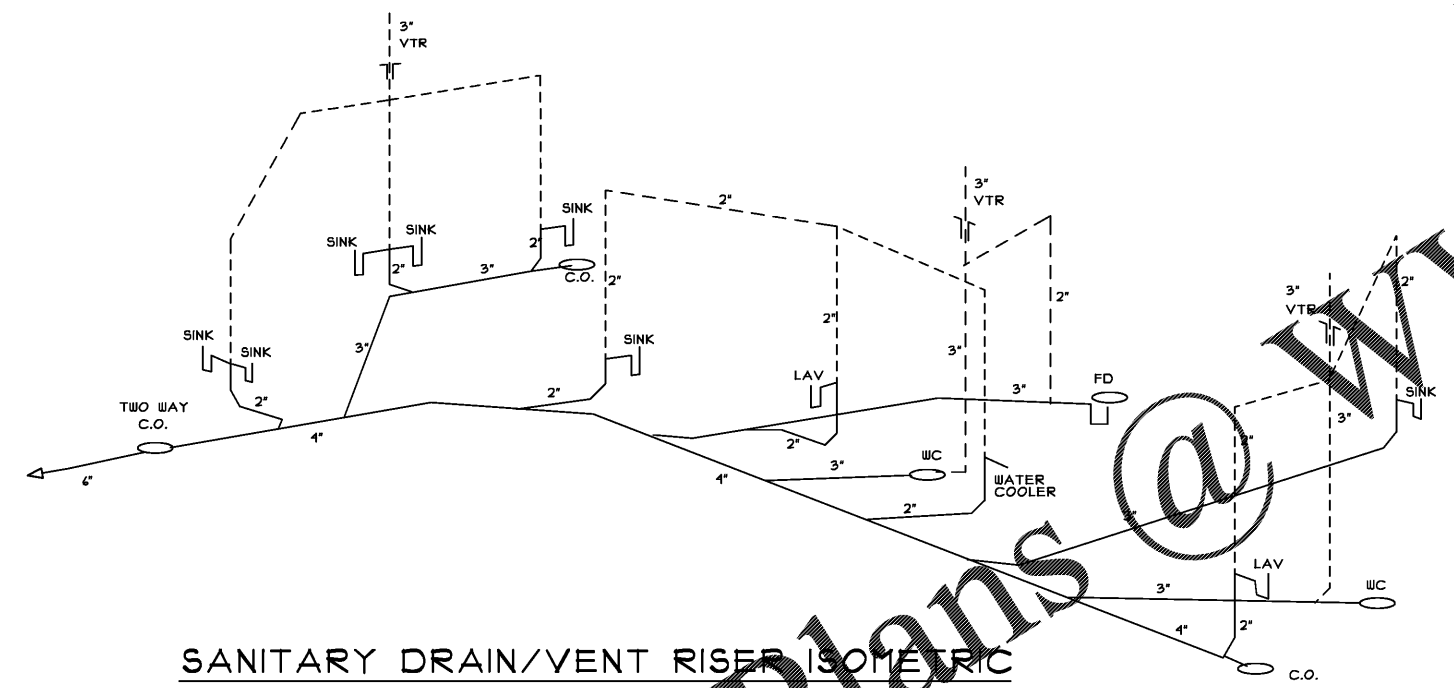
NO.	REVISION	BY	DLH
1			

MEDICAL OFFICE LEASE SPACE BUILDING  
 FOR  
 ATLANTA MEDICAL TRUST  
 AT  
 CRESCENT MEDICAL CENTER  
 1410 MONTREAL ROAD  
 TUCKER, GEORGIA

DRAWN :	CHECKED :
DLH	DLH
DATE :	
SCALE : AS NOTED	
JOB NO. :	
SHEET	



WATER RISER ISOMETRIC



SANITARY DRAIN/VENT RISER ISOMETRIC

KEYED NOTES

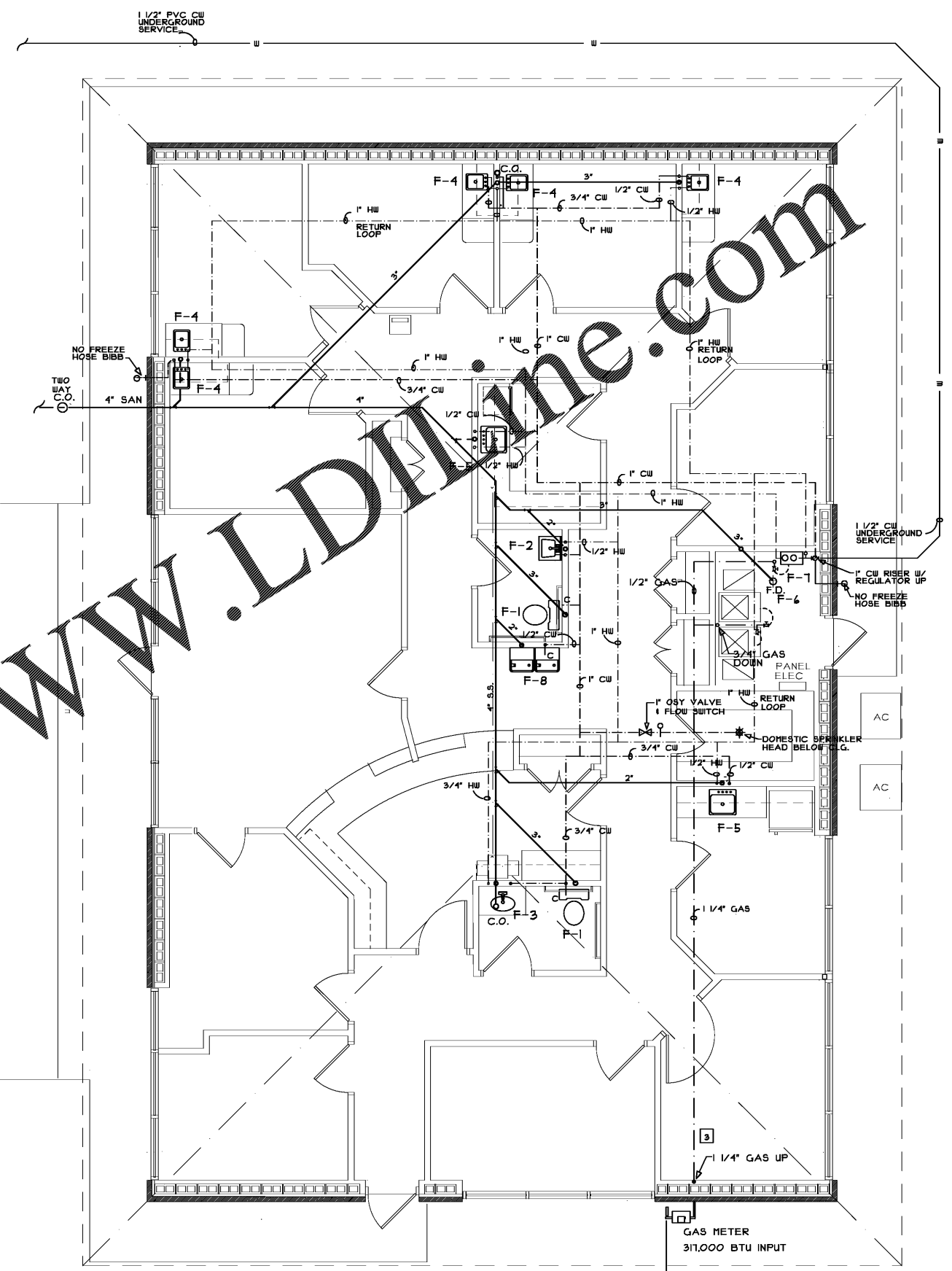
- 1 1/2" CW AND HU DOWN TO FIXTURE
- 2 1/2" CW DOWN TO FIXTURE
- 3 EXTEND 1/4" GAS LINE FROM SERVICE HAS TO BE COORDINATED WITH GAS SERVICE AND SERVICE WITH GAS COMPANY.  
 GAS LOAD SUMMARY  
 WATER HEATER 157,000 BTUH  
 FAU-1 80,000 BTUH  
 FAU-2 80,000 BTUH  
 237,000 BTUH  
 GAS PIPE DEVELOPED LENGTH 54 FT.
- 4 PROVIDE (1) DOMESTIC WATER SYSTEM AUTOMATIC FIRE SPRINKLER IN SUPPLIES ROOM. WATER SUPPLY SYSTEM SHALL HAVE CAPACITY SUFFICIENT TO PROVIDE 0.15 GPM/FT THROUGHOUT THE ENTIRE ENCLOSED AREA. AN INDICATOR SHUT-OFF VALVE, SUPERVISED IN ACCORDANCE WITH SECTION 4.12 OF IBC (1) SHALL BE INSTALLED IN AN ACCESSIBLE, VISIBLE LOCATION BETWEEN THE SPRINKLER AND THE CONNECTION TO THE DOMESTIC WATER SUPPLY.

LEGEND

- FD FLOOR DRAIN W/TRAP
- WC WATER CLOSET
- VTR VENT THRU ROOF
- CO CLEAN OUT

PLUMBING FIXTURE SCHEDULE

- F-1 TANK TYPE ELONGATED TOILET - AMERICAN STANDARD® MODEL 2216.10 BARRIER FREE W/ SEAT #15, RIM 11" A.F.F.
- F-2 WALL MOUNT LAVATORY - AMERICAN STANDARD® DECLYN MODEL #0321.024, W/ DELTA 4" O.C. SINGLE LEVER FAUCET
- F-3 COUNTER MOUNT LAVATORY - AMERICAN STANDARD® OVAL HORIZON MODEL #3303.000 W/ DELTA 4" O.C. SINGLE LEVER FAUCET
- F-4 15" x 15" x 4" SINGLE BOWL STAINLESS STEEL SINK W/ GOOSE NECK FAUCET ELKAY® MODEL HD32081LFR W/ LK21TICK FAUCET
- F-5 17" x 21-1/4" x 1/2" STAINLESS STEEL SINK W/ 8" CENTERS ELKAY® MODEL# DIT21 W/ DELTA® MODEL #B3310LP SINGLE HANDLE FAUCET AND SPRAYER
- F-6 ADJUSTABLE 4" DIA FLOOR DRAIN
- F-7 TANKLESS NATURAL GAS WATER HEATER - RHEEM PRESTIGE® RTGH-84DVLN-2, 8.4 MAX GPM 11,000-15,000 BTU INPUT, DIRECT VENT, 0.13 IEF
- F-8 BARRIER FREE HI-LO WATER COOLERS HAUS® MODEL #HUBFABL



PLUMBING PLAN

SCALE: 1/4" = 1'-0"

PLUMBING PIPING LAYOUT IS SCHEMATIC IN NATURE AND DOES NOT DEPICT ACTUAL BENDS AND TURNS OF PIPES WHICH MAY BE REQUIRED TO ACCOMMODATE ACTUAL CONDITIONS.

RELEASED FOR CONSTRUCTION