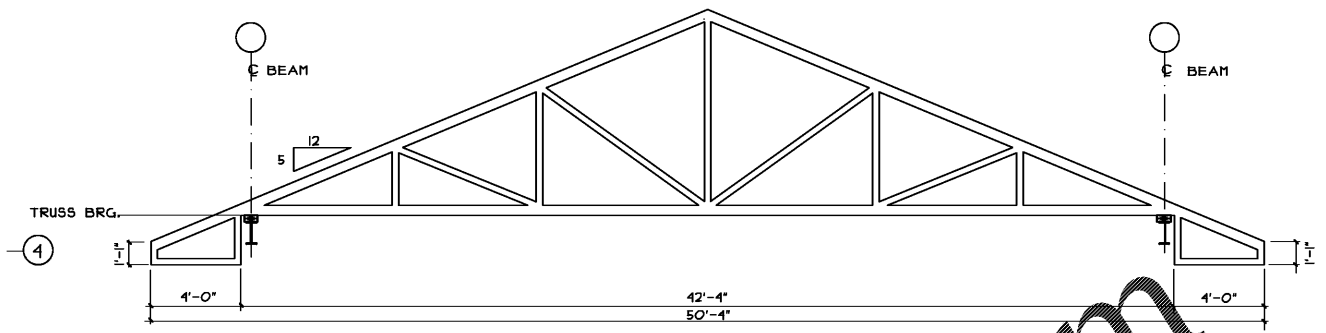
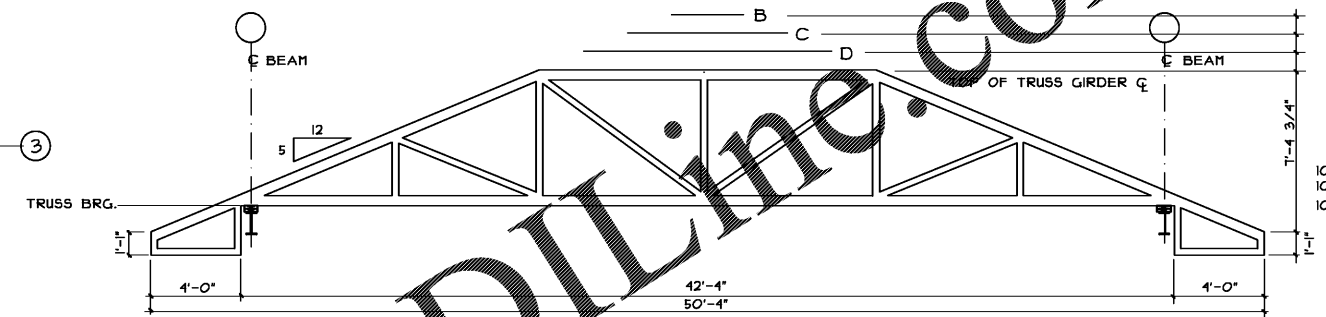


ROOF TRUSS FRAMING PLAN

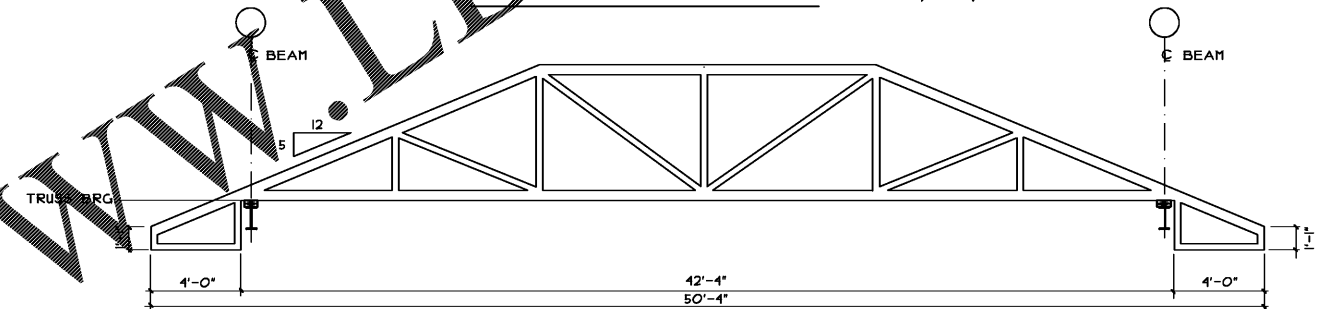
SCALE: 1/4" = 1'-0"



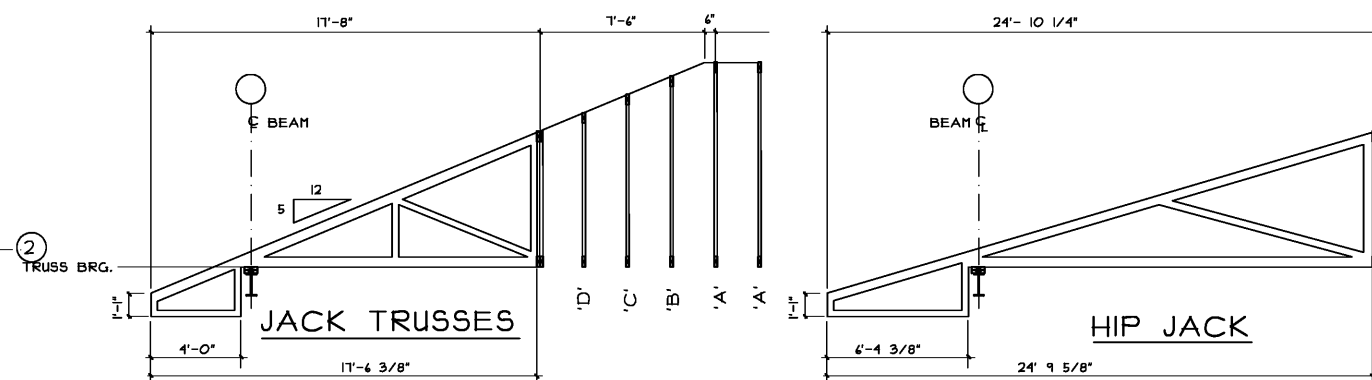
STANDARD TRUSS TYPE 'A'



STEP DOWN TRUSSES - B, C, AND D



DBL. TRUSS GIRDER



ROOF LOADS

DEAD LOADS		LIVE LOADS	
SHINGLES	3.0 PSF	TOP CHORD	20.0 PSF
DECKING	2.0 PSF	BOT CHORD	0 PSF
TRUSS SELF WEIGHT	6.0 PSF		
INSULATION	1.5 PSF		
DRYWALL	2.0 PSF		
LAY-IN CEILING	2.0 PSF		
MEP	4.0 PSF		
MISC.	4.5 PSF		
TOTAL ROOF LOAD	45.0 PSF		

WOOD TRUSS NOTE:

WOOD TRUSSES AND PERMANENT BRACING ARE TO BE ENGINEERED AND MANUFACTURED BY A LICENSED STATE OF GEORGIA TRUSS MANUFACTURER. ENGINEER STAMPED SHOP DRAWINGS WILL BE REQUIRED TO SUBMIT TO BUILDING AUTHORITY. THIS DRAWING IS SCHEMATIC IN NATURE AND IS INTENDED TO SHOW BASIC CONFIGURATION/DIMENSIONS IN ORDER TO FACILITATE THE DETAILED DESIGN OF TRUSSES BY MANUFACTURER.



DAVID L. HOLLOWAY & ASSOCIATES
ARCHITECT
1963 WINDCREST DRIVE LLLBURN, GA (678) 905-9654

NO.	REVISION	BY	DLH
1			

MEDICAL OFFICE LEASE SPACE BUILDING
FOR
CRESCENT MEDICAL CENTRE, LLC
AT
CRESCENT MEDICAL CENTER
1404 MONTREAL ROAD
TUCKER, GEORGIA

DRAWN : DLH
CHECKED : DLH
DATE :
SCALE : AS NOTED
JOB NO. :

SHEET
52
JANUARY 21, 2020

RELEASED FOR CONSTRUCTION