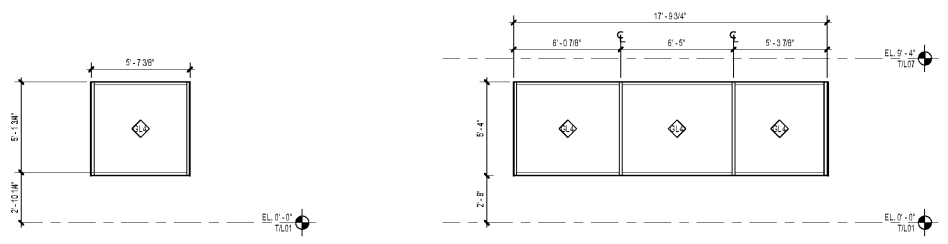
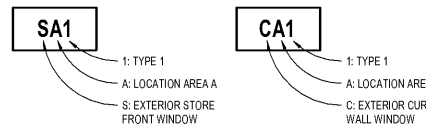


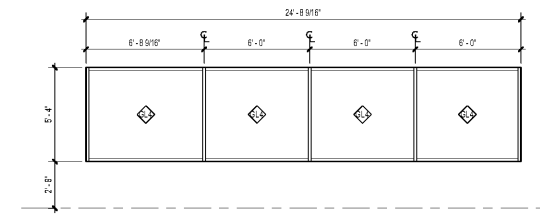


ISSUANCES		
No.	Drawing Issue Description	Date
A	DESIGN DEVELOPMENT	2019/01/18
B	CHECK SET	2019/10/22
C	FINAL APPROVAL	2020/01/08
D	ISSUED FOR BID	2020/02/03

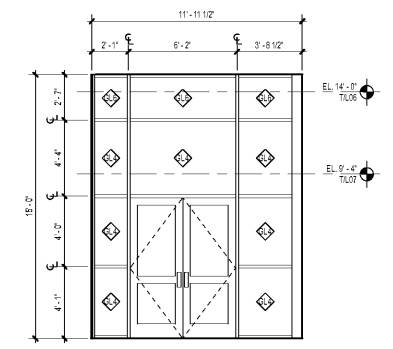
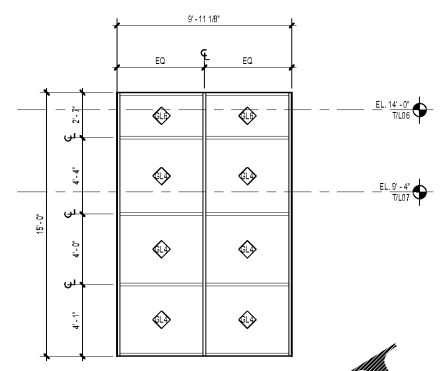
ELEVATION LEGEND AND NOTES	
1. SEE SPECIFICATIONS FOR SPECIFIC GLAZING SCHEDULE REQUIREMENTS.	
2. MULLION SIZES ARE INDICATED FOR DETAILING PURPOSES. WINDOW MFR. TO ENGINEER MULLION SIZES TO MEET MULLION SPACING AND DESIGN INTENT.	
3. PROVIDE GLAZING AS INDICATED ON DRAWINGS OR AS REQUIRED BY CODE TO MEET SAFETY GLAZING REQUIREMENTS.	
4. ALL MUNTINS ARE APPLIED INSIDE AND OUTSIDE OF INSULATED GLASS LITES.	
GL1	TYPE GL 1 - CLEAR INTERIOR
GL2	TYPE GL 2 - VISION LITES IN THE DOORS
GL3	TYPE GL 3 - CLEAR @ NORTH AND ENTRY
GL4	TYPE GL 4 - CLEAR @ WEST, SOUTH, EAST
GL5	TYPE GL 5 - GLASS WITH FRIT
GL6	TYPE GL 6 - SPANDREL
GL7	TYPE GL 7 - CLEAR INTERIOR @ GYM



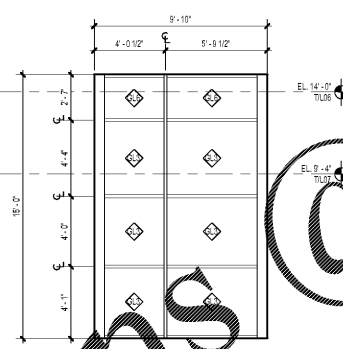
13 TYPE SB2
AT9.31 SCALE: 1/4" = 1'-0"



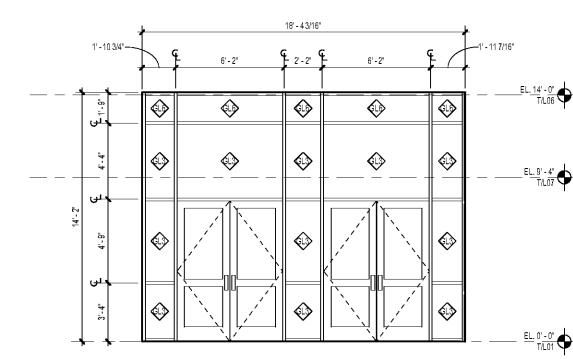
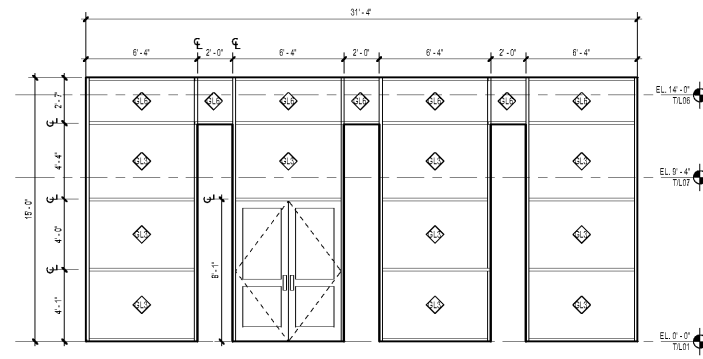
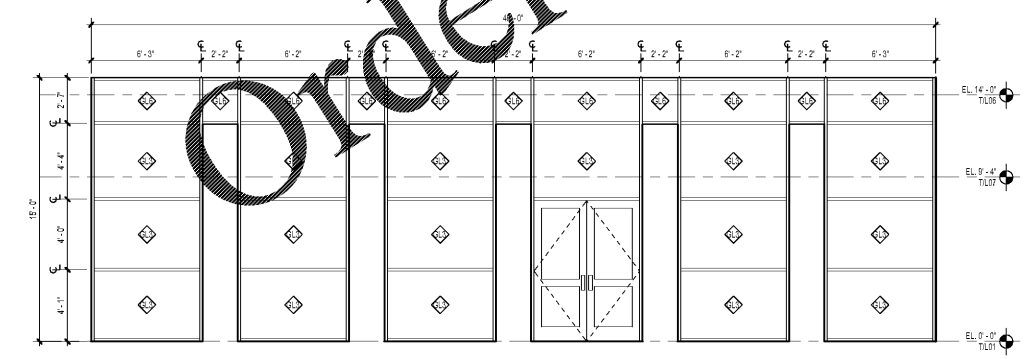
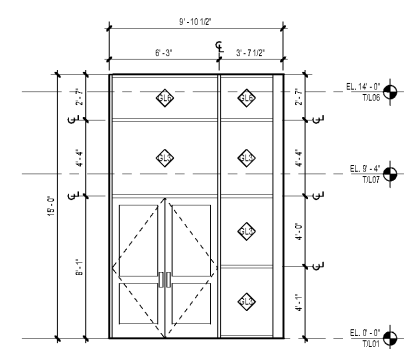
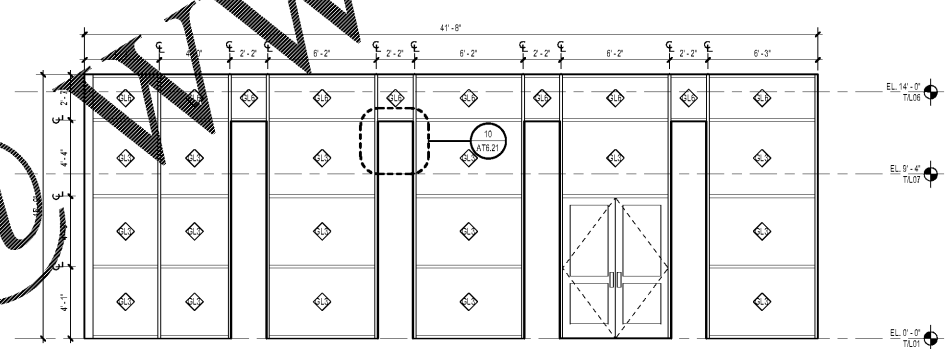
10 TYPE SB4
AT9.31 SCALE: 1/4" = 1'-0"



7 TYPE CA6
AT9.31 SCALE: 1/4" = 1'-0"



4 TYPE CA10
AT9.31 SCALE: 1/4" = 1'-0"



Order Plans @ WWW.LDILine.com

PROJECT NUMBER: 20180202 PROJECT NAME: PEBBLEBROOK HS B007 - MAGNET THEATER
SHEET NUMBER: AT9.31 - EXTERIOR WINDOW TYPES
M:\2018\20180202\7 drawings\4-7-1 rev\Users\20180008_Pebblebrook B007_Theater_2019_Nunes\02178.rvt
1/30/2020 3:37:46 PM

PEBBLEBROOK HS B007 -
MAGNET THEATER
DOE Facility Code 4066
FTE = 2787
IU = 143
991 OLD ALABAMA ROAD
MABLETON, GA 30126
COBB COUNTY SCHOOL DISTRICT
EXTERIOR WINDOW TYPES

ROBERT A. JUST 20180208
Principal/Designer
SOPHIA TARKHAN 02/03/20
Project Manager
MARC NUNES
Project Architect
MATTHEW PARKS
Staff Architect

AT9.31