

JACK L. BELL, PE  
 2875 Abbottwell Drive  
 Alpharetta, GA 30022  
 Ph: (404) 466-6672  
 jlb@jlbpe.com

THIS DRAWING IS THE PROPERTY OF MAXDESIGN GROUP AND IS NOT TO BE REPRODUCED IN WHOLE OR IN PART. IT IS NOT TO BE USED ON ANOTHER PROJECT AND SHALL BE RETURNED UPON REQUEST.

PROFESSIONAL SEAL:



PROJECT TITLE:

**BUTLER CREEK  
 RETAIL  
 BUILDING**

ACWORTH, GEORGIA

PROJECT INFO:

3330 COBB PARKWAY NW  
 ACWORTH, GA 30144

**PRINT RECORD**

Description	Date
ISSUED FOR PERMIT	01.17.20

**REVISION**

No.	Description	Date

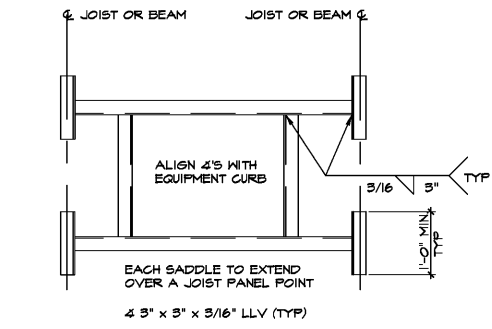
**FRAMING DETAILS**

Project number	D19-127
Date	12/18/2019
Drawn by	JLB
Checked by	RM

**S-402**

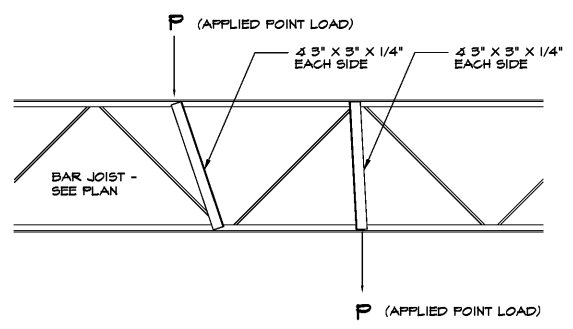
Scale As indicated

ISSUED FOR CONSTRUCTION

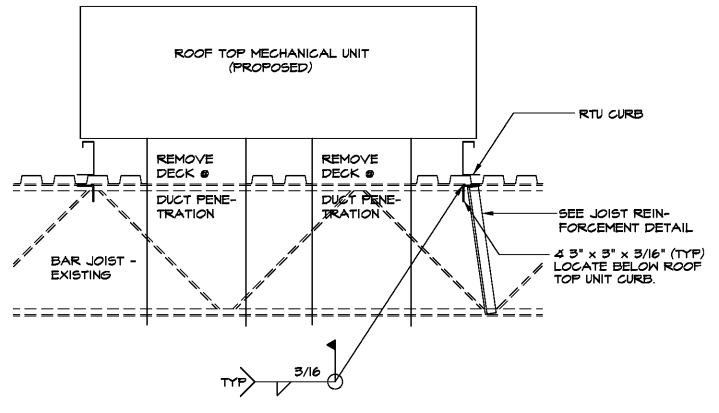


NOTE: CONTRACTOR SHALL COORDINATE LOCATION & SIZE OF ALL ROOF OPENINGS WITH EQUIPMENT SELECTED.

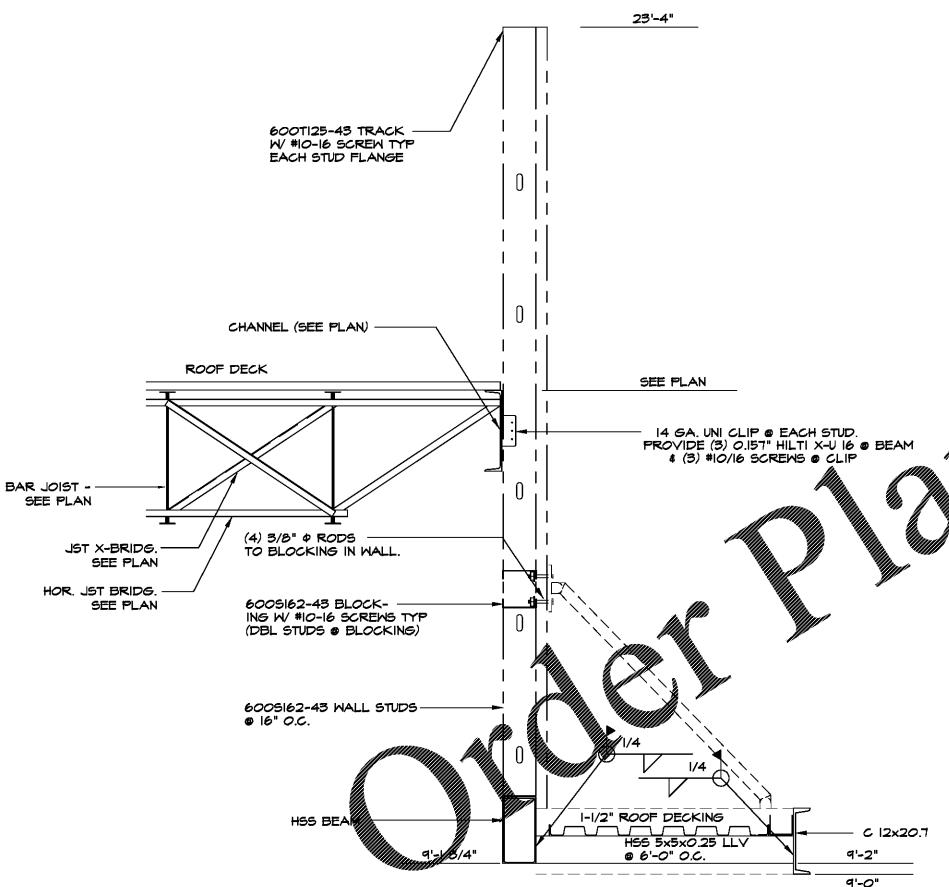
ROOF CURB FRAME DETAIL **6**



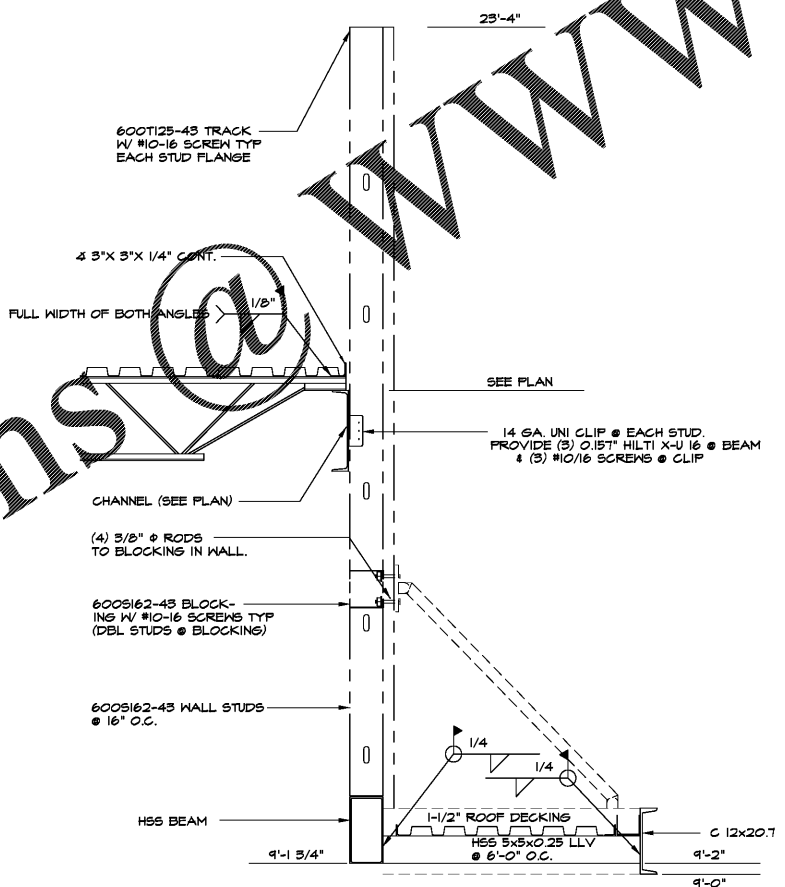
JOIST REINFORCEMENT DETAIL **7**



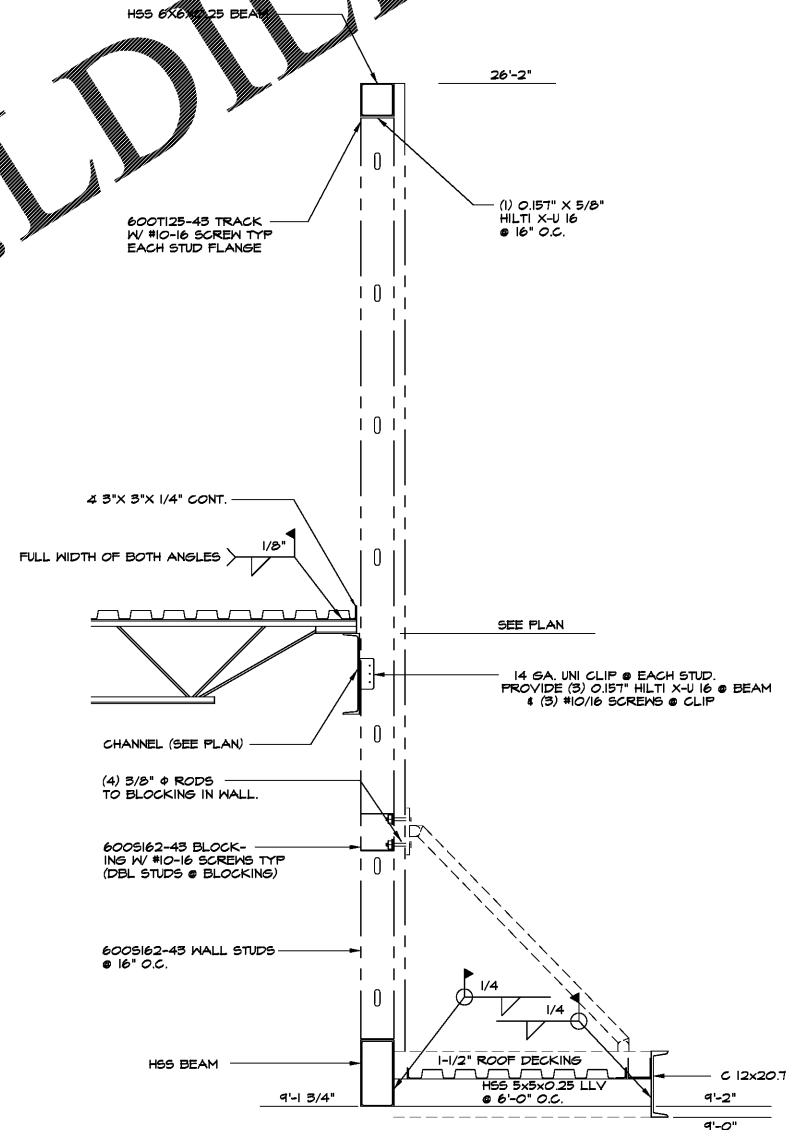
JOIST REINFORCEMENT @ RTU SECTION **8**



FRAMING SECTION SUITE A **3**



FRAMING SECTION SUITE A **2**



FRAMING SECTION SUITE A **1**

Order Plans @ www.LDILine.com