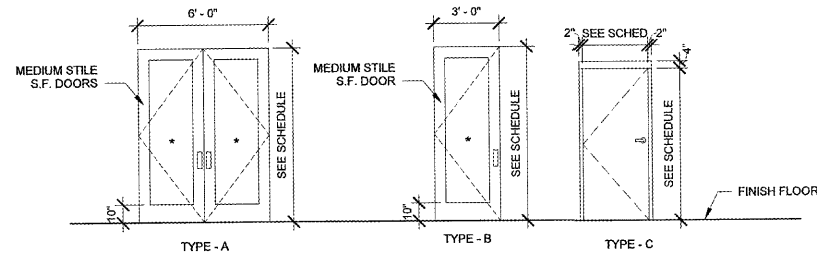


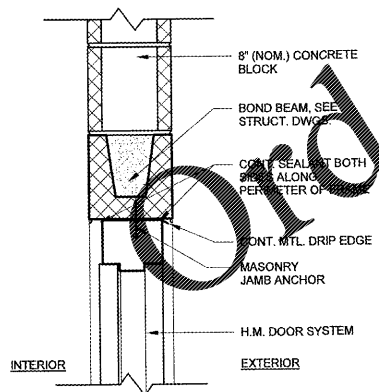
DOOR SCHEDULE												
MARK	DESCRIPTION	DOOR TYPE	HEIGHT	WIDTH	THICKNESS	DOOR MATERIAL	FINISH	FRAME MATERIAL	FRAME FINISH	HARDWARE	FIRE RATING	COMMENTS
1	ALUM/GLASS STOREFRONT DOOR	TYPE-A	7'-0"	PR 3'-0"	0' - 1 3/4"	ALUMINUM / GLASS	REFER TO ELEVATIONS	ALUMINUM	REFER TO ELEVATIONS	SET-2	N/A	
2	ALUM/GLASS STOREFRONT DOOR	TYPE-B	7'-0"	3'-0"	0' - 1 3/4"	ALUMINUM / GLASS	REFER TO ELEVATIONS	ALUMINUM	REFER TO ELEVATIONS	SET-1	N/A	
3	HOLLOW METAL DOOR	TYPE-C	7'-0"	3'-0"	0' - 1 3/4"	HOLLOW METAL	P-1	HOLLOW METAL	P-1	SET-3	N/A	
4	HOLLOW METAL DOOR	TYPE-C	7'-0"	3'-0"	0' - 1 3/4"	HOLLOW METAL	P-1	HOLLOW METAL	P-1	SET-3	N/A	

DOOR SCHEDULE NOTES:

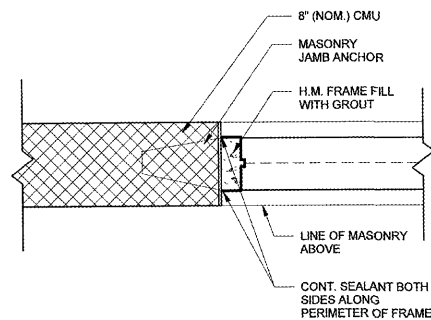
- THRESHOLDS SHALL BE NO HIGHER THAN 1/2" AFF. EDGE TO BE BEVELED WITH A SLOPE NO GREATER THAN 1 IN 2.
- ALONG ACCESSIBLE PATH OF TRAVEL AND AT EGRESS CONDITIONS, DOOR HARDWARE SHALL BE OF THE LEVER OR PUSH TYPE, MOUNTED 30" TO 44" AFF AND OPERABLE WITH A MAXIMUM EFFORT OF 5 LB. FOR INTERIOR DOORS AND 8.5 LB. FOR EXTERIOR DOORS.
- PROVIDE 18" CLEAR SPACE ON STRIKE/PULL SIDE OF DOORS. PROVIDE 12" CLEAR SPACE ON STRIKE/PUSH SIDE OF DOORS WITH LATCHES AND/OR CLOSERS.
- EXIT DOORS SHALL BE OPERABLE FROM THE INSIDE WITHOUT THE USE OF A KEY, TOOL, OR SPECIAL KNOWLEDGE OR EFFORT.
- PROVIDE 6" HIGH ADDRESS ABOVE FRONT DOORS - VERIFY SIZE WITH LOCAL AUTHORITIES - COLOR(S) TO CONTRAST WITH BACKGROUND(S). REAR DOOR SIGNAGE PER LANDLORD REQUIREMENTS WHEN REQUIRED BY LOCAL JURISDICTIONS.
- REFER TO THRESHOLD, JAMB AND DOOR HEAD DETAILS 1-4 THIS SHEET AS APPLICABLE.
- REFER TO ELEVATIONS FOR STOREFRONT FINISH AND PT-2 COLOR.
- REFER TO WINDOW TYPES SHEET A-602 FOR STOREFRONT FRAMES.
- EXIT DOORS TO REMAIN UNLOCKED DURING BUSINESS HOURS. TENANT TO PROVIDE AND POST CLEAR SIGNAGE ADJACENT TO EXIT DOORS. SIGNAGE IS PERMITTED UNDER A SEPARATE PERMIT.



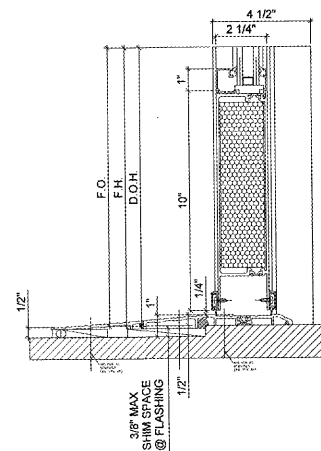
5 DOOR ELEVATIONS
A-601 SCALE: 1/4" = 1'-0"



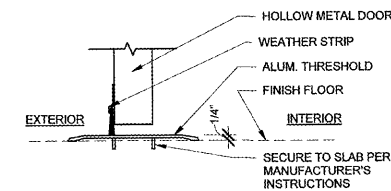
4 DOOR HEAD DETAIL
A-601 SCALE: 1 1/2" = 1'-0"



3 DOOR JAMB DETAIL
A-601 SCALE: 1 1/2" = 1'-0"



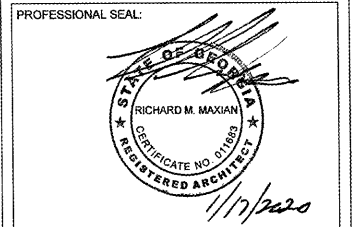
2 STOREFRONT DOOR THRESHOLD
A-601 SCALE: 3" = 1'-0"



1 DTL AT MTL THRESHOLD
A-601 SCALE: 3" = 1'-0"

DOOR HARDWARE	
SET-1	SINGLE PIVOTS US20A SINGLE CYLINDER STRIKE US ALUM US20A SIZE 2 SURFACE MOUNTED HYDRAULIC CLOSURE EXTERIOR PULL HANDLE WITH KEYPED CYLINDER INTERIOR THUMB TURN DOOR SILENCERS WEATHERSTRIP/THRESHOLD/SWEEP
SET-2	ALUMINUM ENTRANCE DOORS-PAIR PIVOT SET(2) 7212 SP28 IVE DEADLOCK MS1860 X 4560 LEVER ADA KEY CYLINDER SCHLAGE PUSH/PULL SETS (2) 9190-8 IVES SURFACE CLOSER (2) 1461TJ LCN THRESHOLD 513 NGP SET SEALS ALUM DOOR MFG STANDARD DOOR BOTTOM SEAL ALUM DOOR MFG STANDARD FLUSH BOLTS (SET) 458 X DP1 IVES ASTRAGAL ALUM DOOR MG STANDARD
SET-3	1 1/2 PAIR 4 1/2" X 4 1/2" US26D BUTT HINGES (NRP) CAL ROYAL OR EQUAL KEYPED LEVER LOCK SET (US26D FINISH) SIZE 2 SURFACE MOUNTED HYDRAULIC CLOSURE LATCH GUARD RUBBER DOOR SILENCERS WEATHERSTRIP & THRESHOLD DRIP CAP

THIS DRAWING IS THE PROPERTY OF MAXDESIGN GROUP, AND IS NOT TO BE REPRODUCED IN WHOLE OR IN PART. IT IS NOT TO BE USED ON ANOTHER PROJECT AND SHALL BE RETURNED UPON REQUEST.



PROJECT TITLE:
**BUTLER CREEK
RETAIL
BUILDING**

ACWORTH, GEORGIA

PROJECT INFO:
3330 COBB PARKWAY NW
ACWORTH, GA 30144

PRINT RECORD	
Description	Date
ISSUED FOR PERMIT	01/17/2020

REVISION		
No.	Description	Date

**DOOR TYPES, SCHEDULES,
AND DETAILS**

Project number: D19-127
Date: 01/17/2020
Drawn by: DKA
Checked by: RMM

A-601

Scale: As indicated

ISSUED FOR CONSTRUCTION