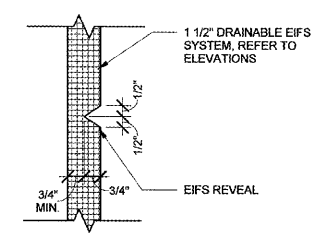
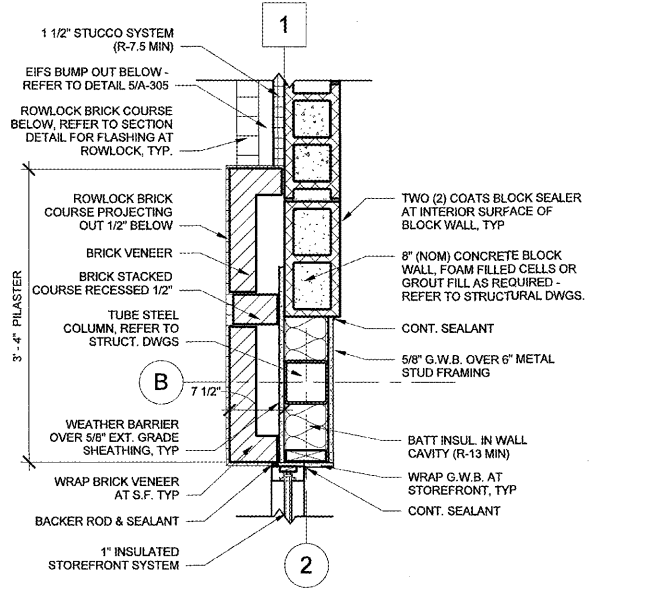


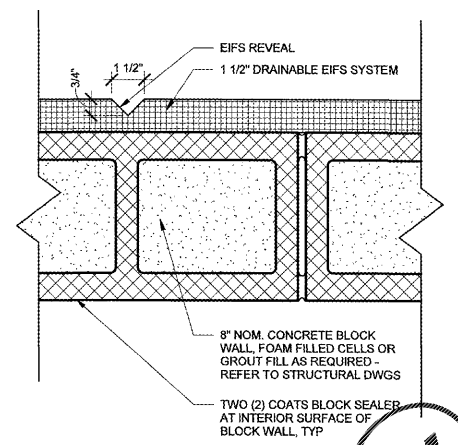
9 DETAIL AT NW CORNER
A-401 SCALE: 1" = 1'-0"



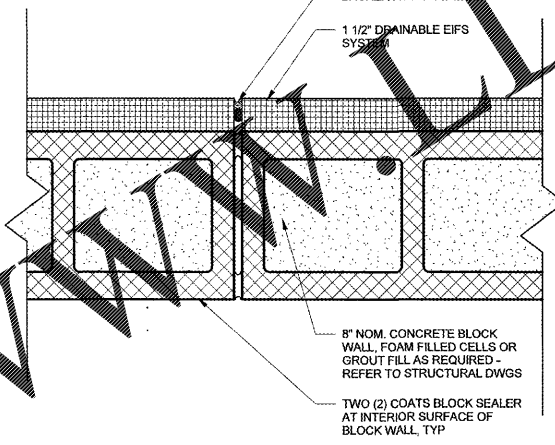
13 REVEAL DETAIL
A-401 SCALE: 3" = 1'-0"



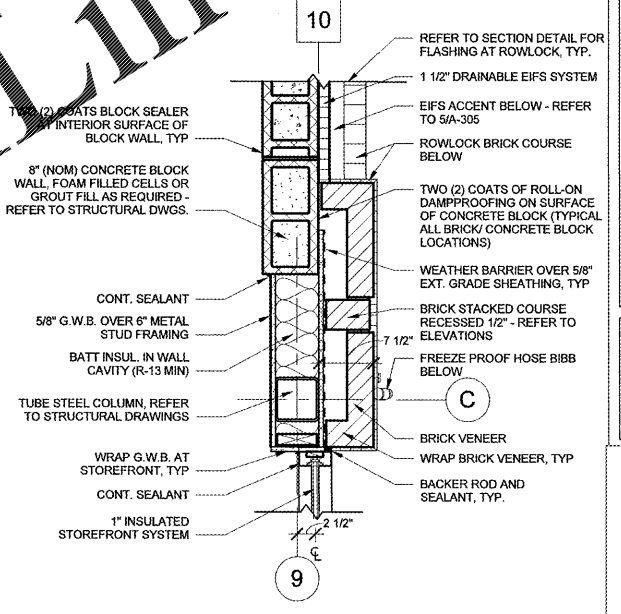
8 DETAIL AT WEST PILASTER
A-401 SCALE: 1" = 1'-0"



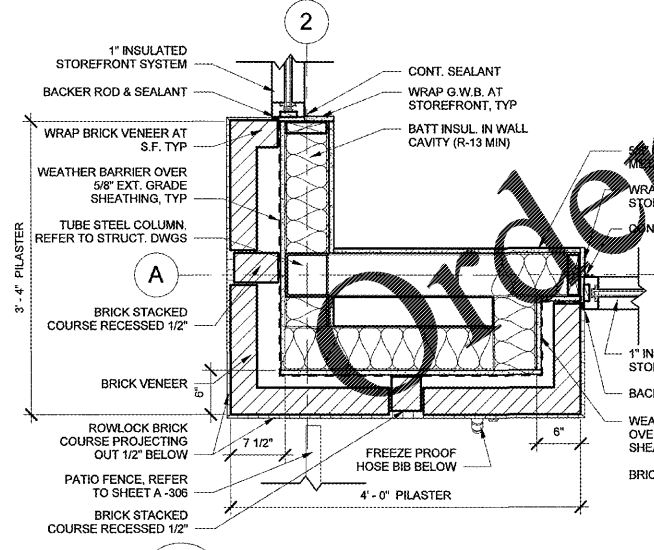
7 VERTICAL REVEAL DETAIL
A-401 SCALE: 3" = 1'-0"



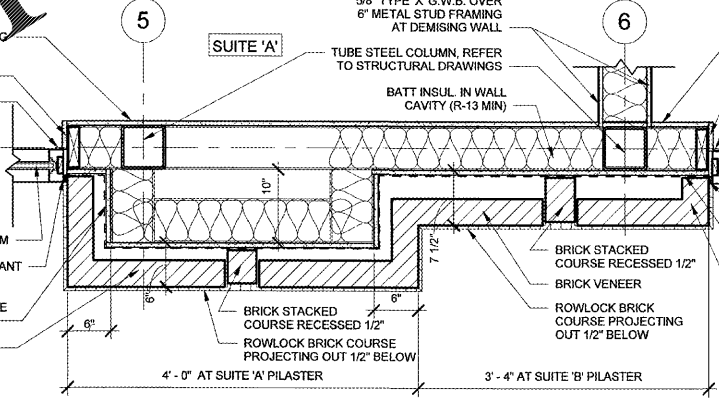
6 EXPANSION JOINT DETAIL
A-401 SCALE: 3" = 1'-0"



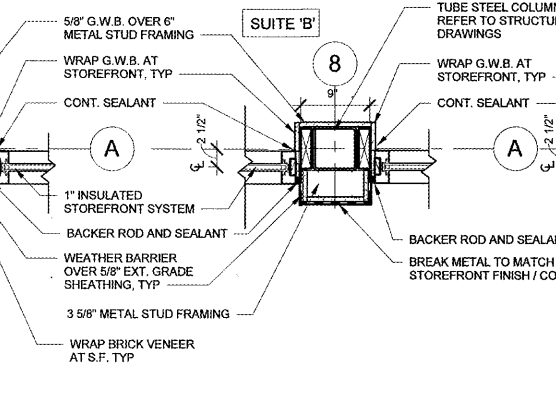
5 DETAIL AT EAST PILASTER
A-401 SCALE: 1" = 1'-0"



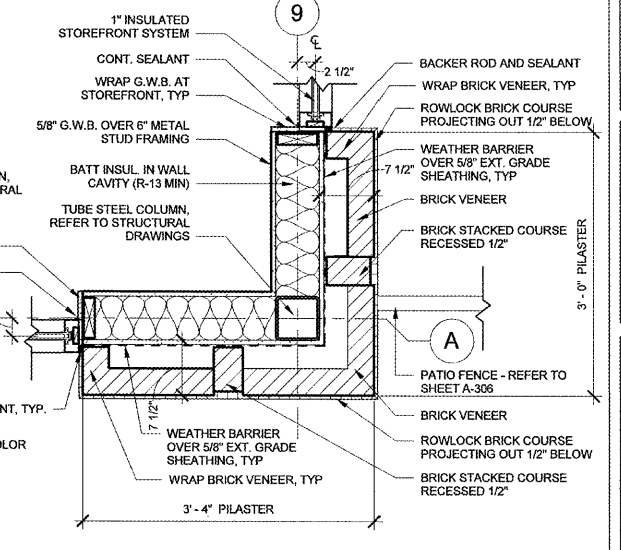
4 DETAIL AT SOUTHWEST CORNER
A-401 SCALE: 1" = 1'-0"



3 DETAIL AT DEMISING WALL PILASTER
A-401 SCALE: 1" = 1'-0"

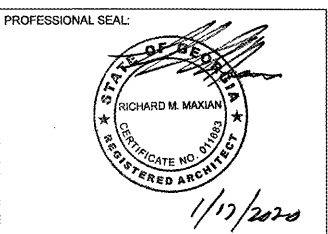


2 DETAIL AT BREAK METAL
A-401 SCALE: 1" = 1'-0"



1 DETAIL AT SE CORNER
A-401 SCALE: 1" = 1'-0"

THIS DRAWING IS THE PROPERTY OF MAXDESIGN GROUP AND IS NOT TO BE REPRODUCED IN WHOLE OR IN PART. IT IS NOT TO BE USED ON ANOTHER PROJECT AND SHALL BE RETURNED UPON REQUEST.



PROJECT TITLE:
BUTLER CREEK RETAIL BUILDING
ACWORTH, GEORGIA

PROJECT INFO:
3330 COBB PARKWAY NW
ACWORTH, GA 30144

PRINT RECORD	
Description	Date
ISSUED FOR PERMIT	01/17/2020

REVISION		
No.	Description	Date

PLAN DETAILS	
Project number	D19-127
Date	01/17/2020
Drawn by	DKA
Checked by	RMM

A-401
Scale As Indicated

ISSUED FOR CONSTRUCTION

Order Plans @

WWW.DILine.com