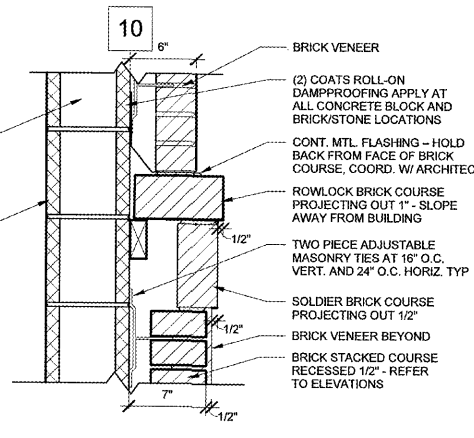
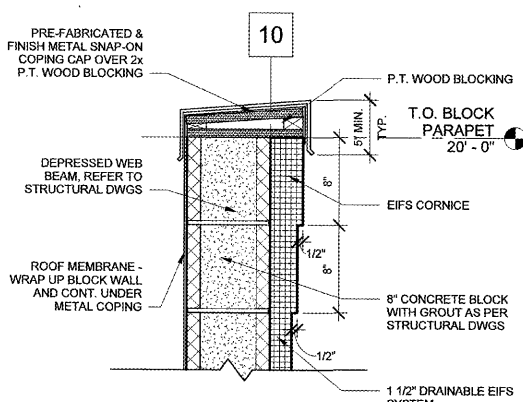


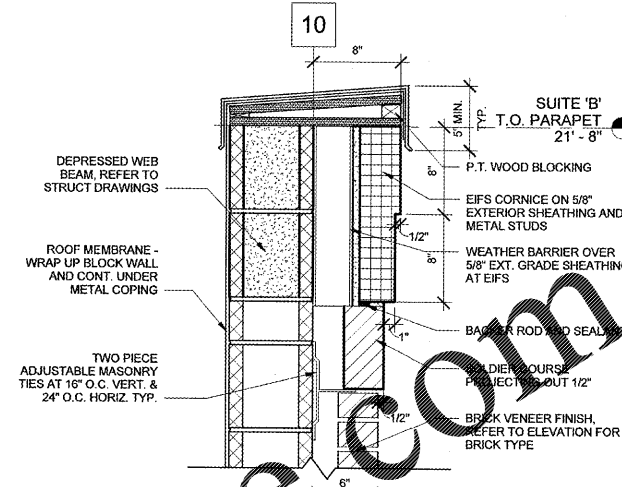
7 DETAIL AT FIRE RISER ROOF
A-303 SCALE: 1 1/2" = 1'-0"



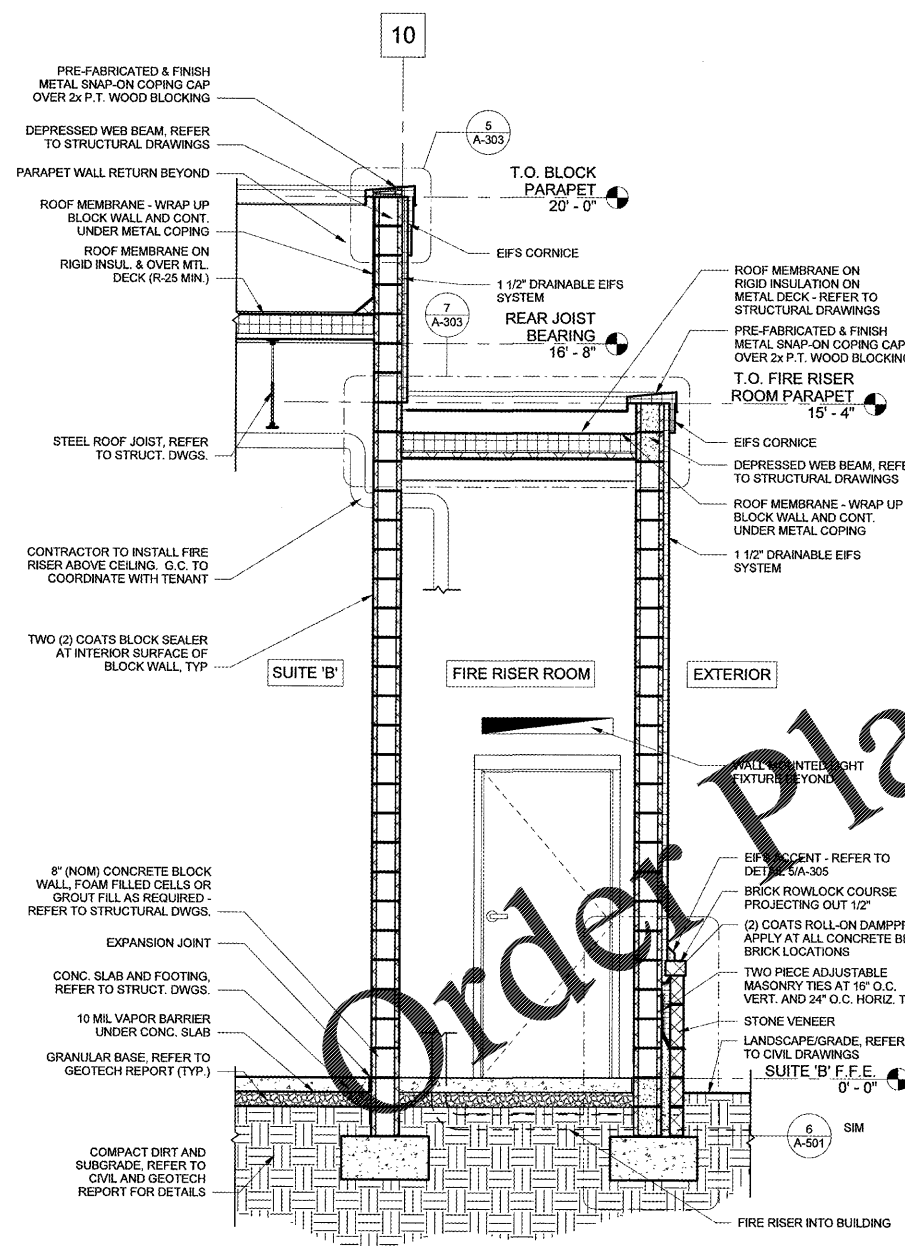
6 DETAIL AT BLOCK PILASTER
A-303 SCALE: 1 1/2" = 1'-0"



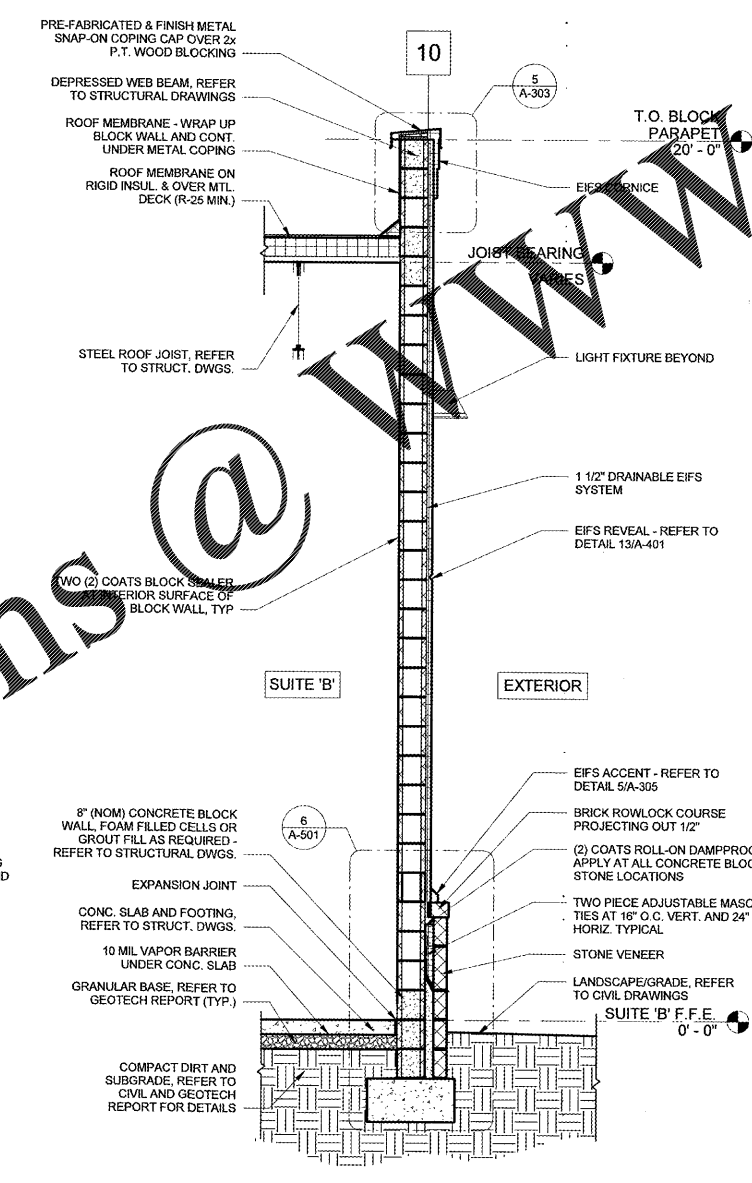
5 DETAIL AT TYP BLOCK CORNICE
A-303 SCALE: 1 1/2" = 1'-0"



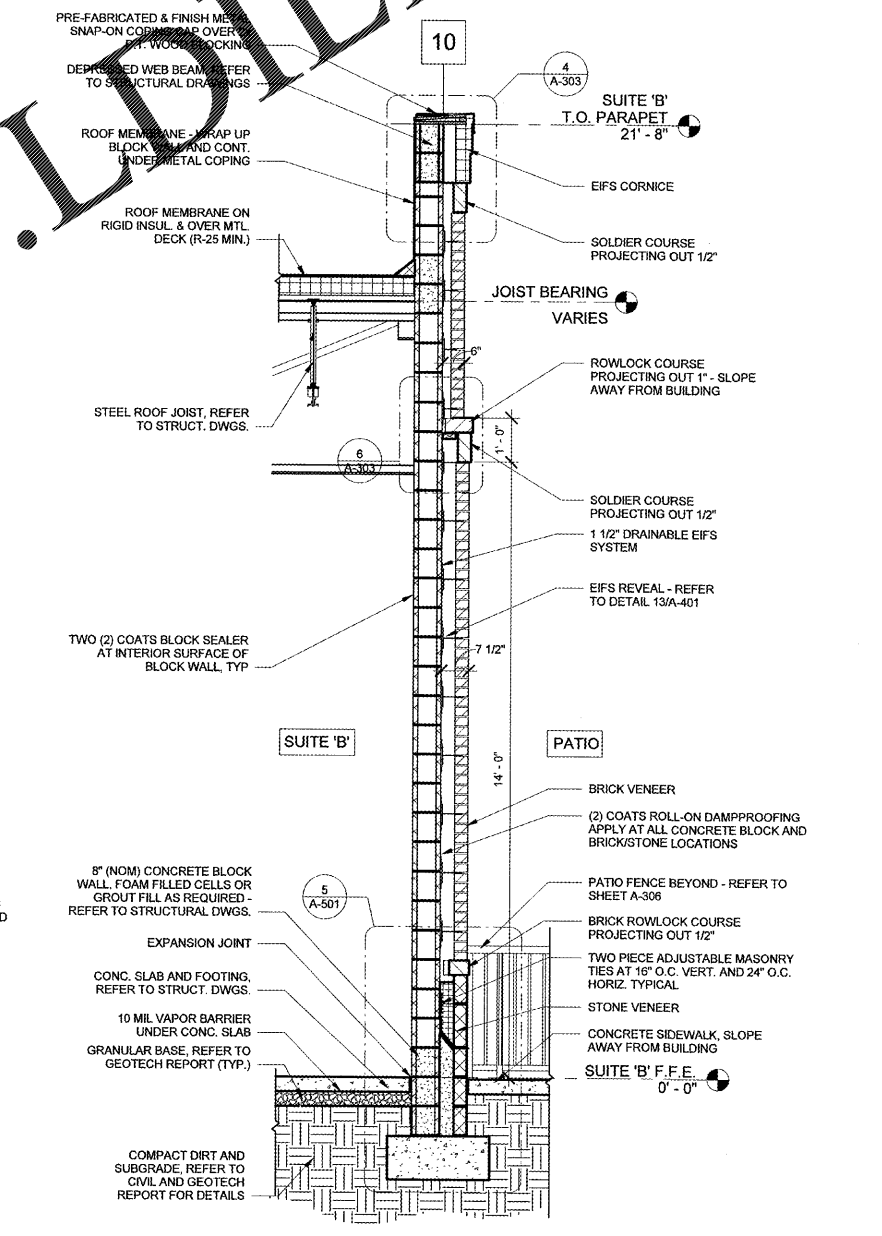
4 DETAIL AT BRICK PILASTER CORNICE
A-303 SCALE: 1 1/2" = 1'-0"



3 SECTION AT FIRE RISER
A-303 SCALE: 1/2" = 1'-0"



2 SECTION AT SUITE 'B' BLOCK WALL
A-303 SCALE: 1/2" = 1'-0"



1 EAST PILASTER SECTION AT BLOCK WALL
A-303 SCALE: 1/2" = 1'-0"

THIS DRAWING IS THE PROPERTY OF MAXDESIGN GROUP, AND IS NOT TO BE REPRODUCED IN WHOLE OR IN PART. IT IS NOT TO BE USED ON ANOTHER PROJECT AND SHALL BE RETURNED UPON REQUEST.

PROFESSIONAL SEAL:

 1/17/2020

PROJECT TITLE:
BUTLER CREEK RETAIL BUILDING
 ACWORTH, GEORGIA

PROJECT INFO:
 3330 COBB PARKWAY NW
 ACWORTH, GA 30144

PRINT RECORD	
Description	Date
ISSUED FOR PERMIT	01/17/2020

REVISION		
No.	Description	Date

EXTERIOR WALL SECTIONS AT SUITE 'B' CONCRETE BLOCK WALLS

Project number: D19-127
 Date: 01/17/2020
 Drawn by: DKA
 Checked by: RMM

A-303
 Scale: As Indicated

ISSUED FOR CONSTRUCTION