

15 | NOT USED

11 | FIRE PARTITION WALL

07 | FIRE RATED WALL/CEILING INTERSECTION

03 | FIRE RATED WALL CONTROL JOINT

14 | NOT USED

10 | FIRE BARRIER WALL

06 | FIRE RATED WALL/FLOOR INTERSECTION

02 | FIRE RATED WALL RECESSED CABINET

13 | STEEL BEAM FIRE PROTECTION

09 | FIRE AND SMOKE DAMPER IDENTIFICATION

05 | FIRE RATED WALL/WALL INTERSECTION

01 | FIRE RATED WALL ELECTRICAL BOXES

12 | STEEL COLUMN FIRE PROTECTION

08 | FIRE RATED WALL IDENTIFICATION

04 | FIRE RATED WALL CONTINUITY

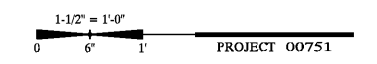
FIRE RATED ASSEMBLIES- INTEGRITY A603

PRELIMINARY:
NOT FOR
CONSTRUCTION

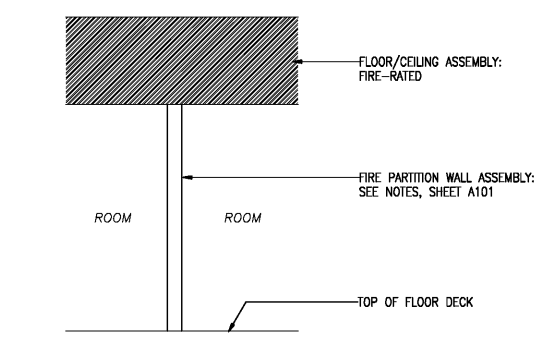
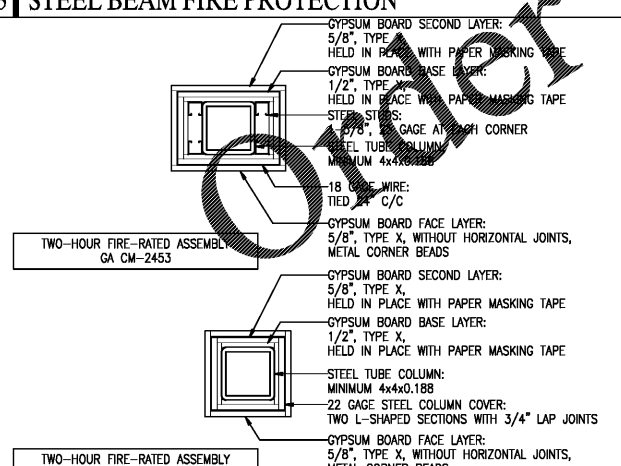
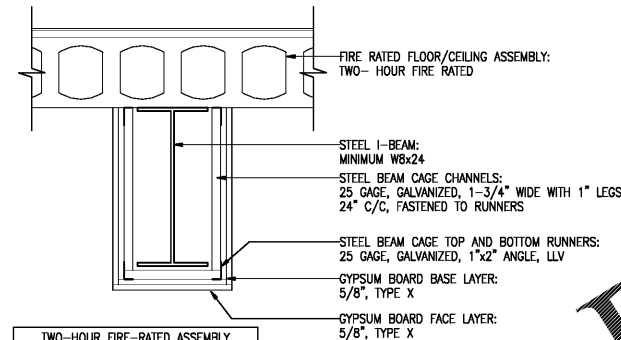
COURTYARD by MARRIOTT
NEW HOTEL
SMYRNA, TENNESSEE
WWW.DAVIDRCARTER.NET
DAVID R. CARTER AND ASSOCIATES

30 x 42

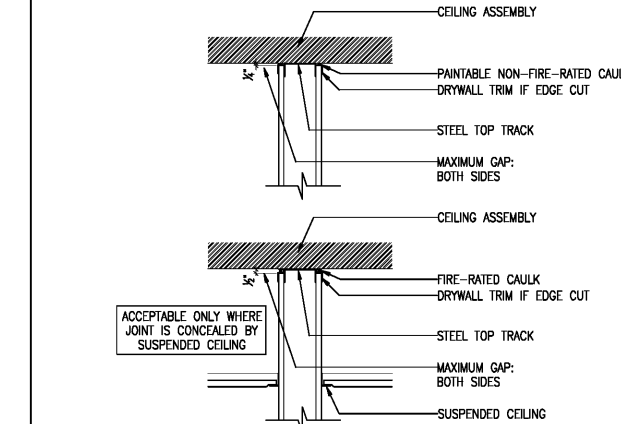
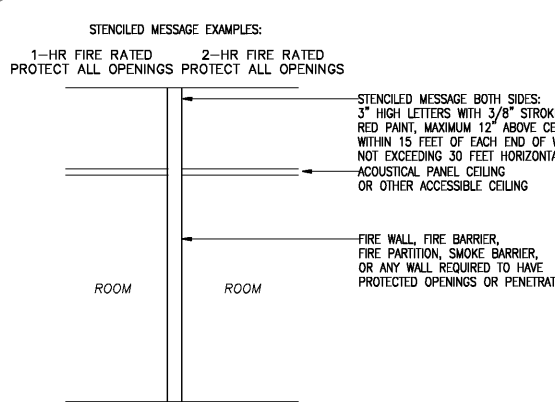
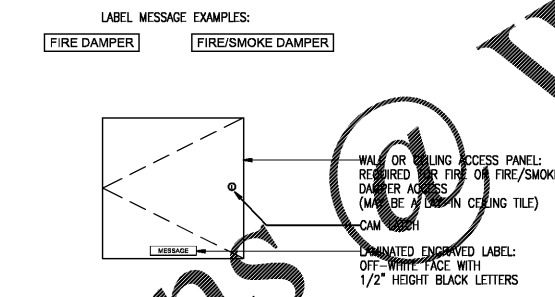
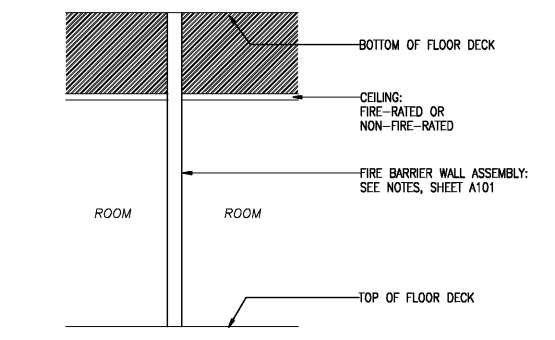
ISSUE DATE 11-22-19
REVISION LOG



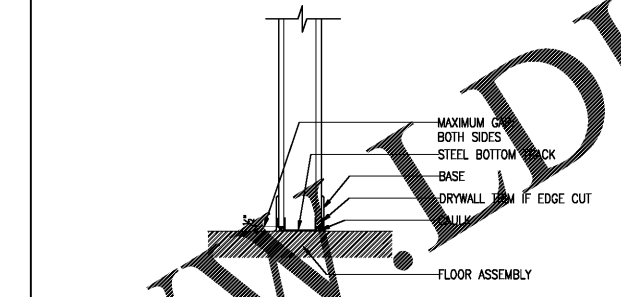
- SHEET NOTES**
- FOR OTHER VARIATIONS OF FIRE RATED ASSEMBLY INTERSECTIONS AND CONTINUITY, SEE DETAILS ON SHEET SERIES A550 AND A650.
 - FOR ELECTRICAL BOXES IN FIRE RATED STUD WALLS, SEE DETAIL A603/01.
 - FOR LARGE RECESSED ITEMS IN FIRE RATED STUD WALLS, SEE DETAIL A603/02.
 - FOR CONTROL JOINTS IN FIRE RATED STUD WALLS, SEE DETAIL A603/03.



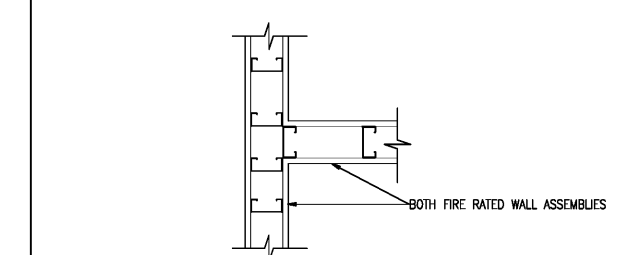
WITH CONCRETE PLANK CONSTRUCTION
FIRE PARTITIONS ARE ESSENTIALLY SAME AS FIRE BARRIERS



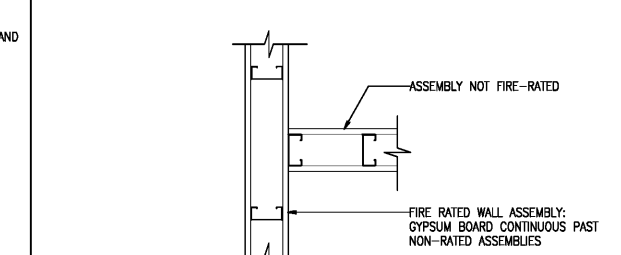
FIRE RATED WALL/CEILING INTERSECTION



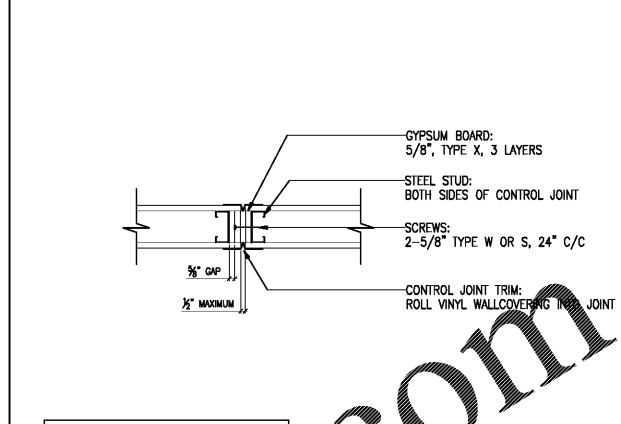
FIRE RATED WALL/FLOOR INTERSECTION



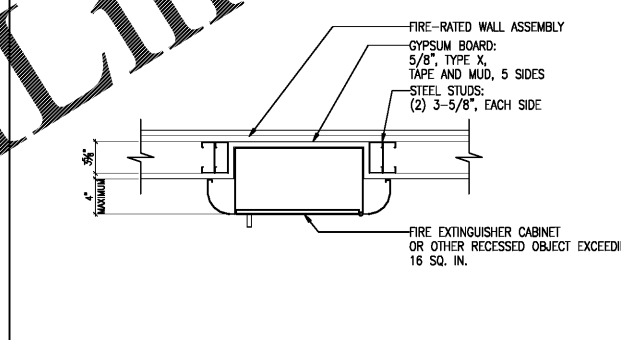
FIRE RATED WALL/WALL INTERSECTION



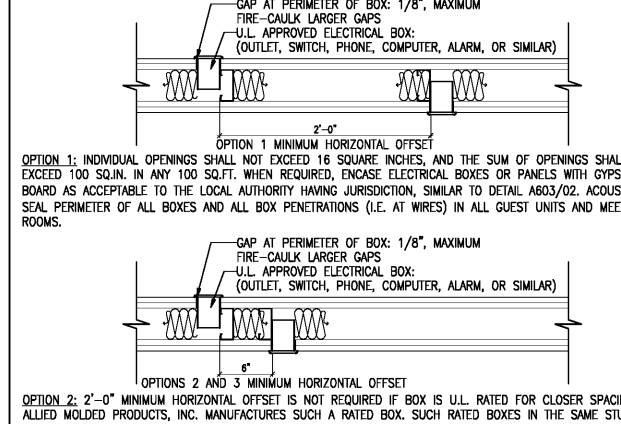
FIRE RATED WALL CONTINUITY



FIRE RATED WALL CONTROL JOINT



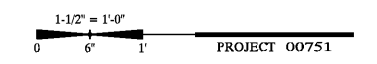
FIRE RATED WALL RECESSED CABINET



FIRE RATED WALL ELECTRICAL BOXES

FIRE-RATED ASSEMBLY
ALL FIRE-RATED STUD WALLS SIMILAR

- SHEET NOTES**
- FOR OTHER VARIATIONS OF FIRE RATED ASSEMBLY INTERSECTIONS AND CONTINUITY, SEE DETAILS ON SHEET SERIES A550 AND A650.
 - FOR ELECTRICAL BOXES IN FIRE RATED STUD WALLS, SEE DETAIL A603/01.
 - FOR LARGE RECESSED ITEMS IN FIRE RATED STUD WALLS, SEE DETAIL A603/02.
 - FOR CONTROL JOINTS IN FIRE RATED STUD WALLS, SEE DETAIL A603/03.



ISSUE DATE 11-22-19
REVISION LOG