



Affordable Suites of
Chattanooga, TN
6046 Relocation Way, Chattanooga, TN

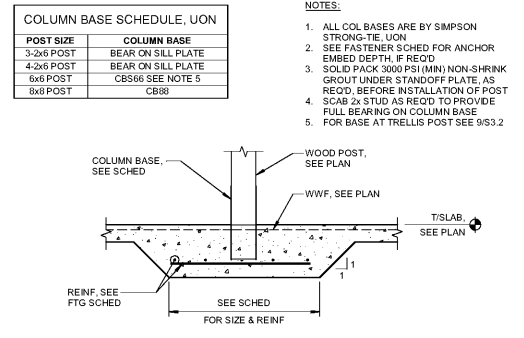
Issued For Construction

Issue Date:	12/17/2019
Revisions	
# Revision	Date:

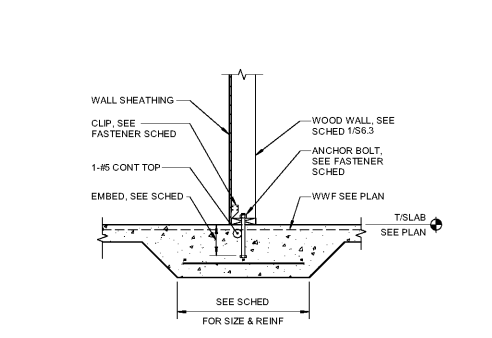
Sheet Data:	
Project #:	PROJ#
Drawn By:	JD
Checked By:	DS

Sheet Title:
Foundation
Sections &
Details

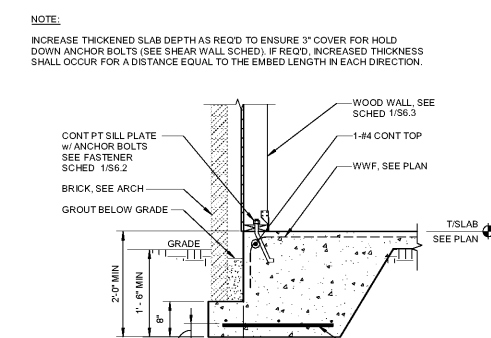
Drawing Number:
S3.2



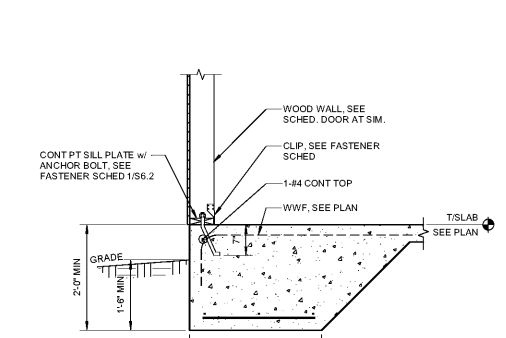
4 FOOTING AT WOOD POST
SCALE: NTS



3 THICKENED SLAB AT INT WALL
SCALE: NTS

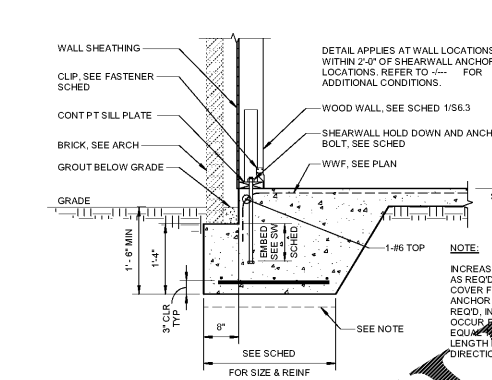


2 TURNDOWN AT BRICK LEDGE
SCALE: NTS

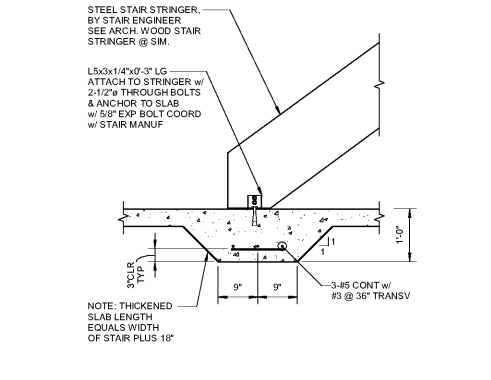


1 TURNDOWN AT EXT WALL
SCALE: NTS

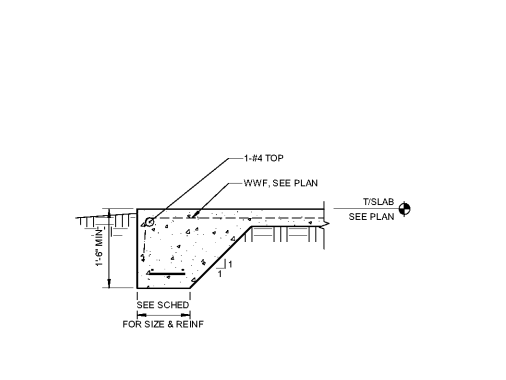
WWW.LDOnline.com



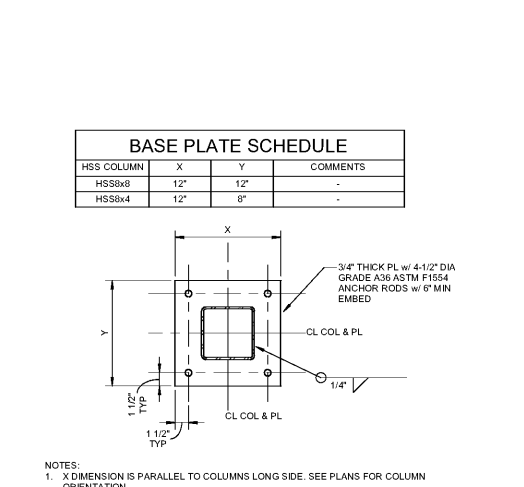
7 SHEARWALL AT BRICK LEDGE
SCALE: NTS



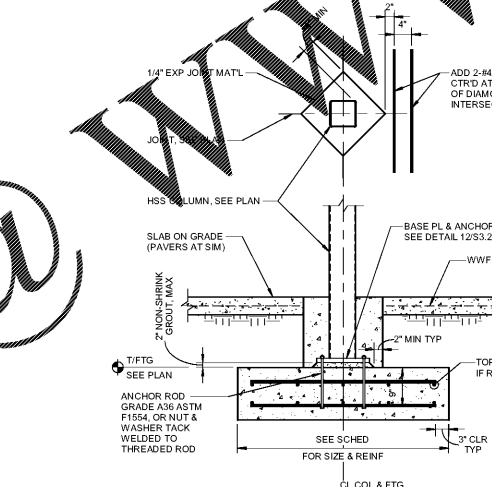
6 SECTION AT STAIR
SCALE: NTS



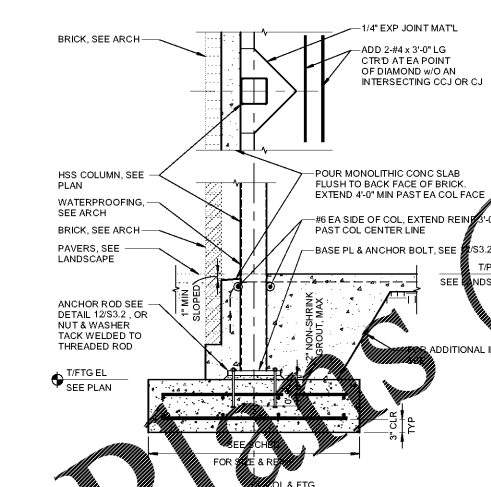
5 TURNDOWN AT SLAB EDGE
SCALE: NTS



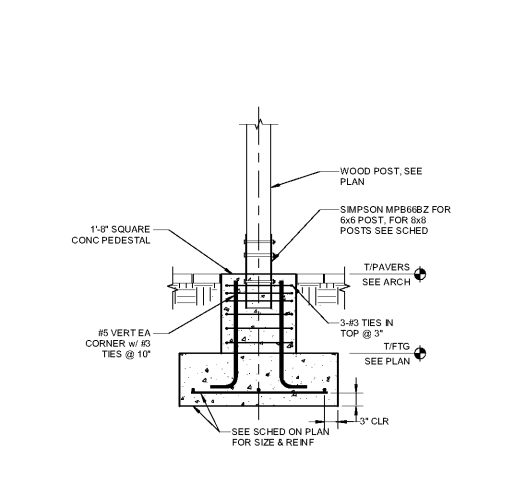
12 BASE PLATE DETAIL
SCALE: NTS



11 FOOTING AT INT HSS COL
SCALE: NTS



10 FOOTING AT EXT HSS COL
SCALE: NTS



9 WOOD POST AT CONC PIER
SCALE: NTS

Order Plans @