

**RESTROOM FIXTURE AND HARDWARE SCHEDULE**

MARK	QTY	DESCRIPTION	MODEL	FINISH	NOTES
A	2	SEMI-RECESSED PAPER TOWEL & WASTE RECEPTACLE	ASI 46424-A (SEMI-RECESSED) PAPER ROLL AUTOMATIC DISPENSING OR BOBRICK B-3414 (SEMI-RECESSED) PAPER ROLL AUTOMATIC DISPENSING	STAINLESS STEEL	
B	0	NEW SEMI-RECESSED HAND DRYER, OPTIONAL FOR FRANCHISE RESTAURANTS.	ASI 10-0149-L SURFACE MOUNTED STAINLESS STEEL HAND DRYER		
C	2	TOILET PAPER DISPENSER, SURFACE MOUNTED JUMBO ROLL TOILET TISSUE DISPENSER	ASI MODEL NO. 0042	SATIN	OUTER CABINET, STAINLESS STEEL
D	2	COAT HOOK	BRADLEY #114 SATIN STAINLESS STEEL HOOK	SATIN	SEE PLAN FOR LOCATIONS
E	0	BABY CHANGING STATION	KOALA KARE PRODUCTS KB200-00	CREAM	REFER TO MANUFACTURER FOR INSTALLATION
F	2	TWO WALL TOILET COMPARTMENT GRAB BAR 1/4" DIAMETER	ASI - 3800 TYPE 01 42"	SATIN	STAINLESS STEEL W/ EXPOSED MOUNTING, FURNISHED COMPLETE W/ MOUNTING KIT
G	2	TWO WALL TOILET COMPARTMENT GRAB BAR 1/4" DIAMETER	ASI - 3800 TYPE 01 50"	SATIN	STAINLESS STEEL W/ EXPOSED MOUNTING, FURNISHED COMPLETE W/ MOUNTING KIT
H	2	MIRROR	MEEK H2519 24 X 36 MIRROR	SATIN	STAINLESS STEEL - ANGLE FRAMED W/ WELDED CORNERS
J	2	18" VERTICAL GRAB BAR	MAINLINE PB2312	SATIN	STAINLESS STEEL W/ EXPOSED MOUNTING, FURNISHED COMPLETE W/ MOUNTING KIT
K	2	WALL MOUNTED "ECOLAB" HANDS-FREE SOAP DISPENSER		BLACK	
L	0	NOT USED			
M	0	NOT USED			

**RESTROOM SCOPE**

- REMOVE EXISTING PLUMBING FIXTURES AND RESTROOM ACCESSORIES AS REQUIRED FOR INSTALLATION OF NEW FINISHES. VERIFY W/ OWNER'S REPRESENTATIVE IF ITEMS ARE TO BE STORED AND REUSED.
- REFER TO DESIGN GUIDE FOR COMPLIANT EXISTING WALL TILE TO REMAIN.
- REMOVE EXISTING FLOOR & WALL FINISHES THROUGHOUT THE RESTROOMS, AS REQUIRED FOR NEW FINISHES. CLEAN, PREP, & REPAIR SUBSTRATES TO SPECIFICATION REQUIREMENTS OF NEW SCHEDULED FINISHES. REPLACE DAMAGED SUBSTRATES AS REQUIRED, DO NOT ADD LAYERS OF SUBSTRATE.
- REMOVE EXISTING TOILET PARTITIONS AND ASSOCIATED HARDWARE. VERIFY W/ OWNER'S REPRESENTATIVE IF ITEMS ARE TO BE STORED AND REUSED.

**RESTROOM ELEVATIONS GENERAL NOTES**

- FIELD VERIFY AND/OR PROVIDE ADDITIONAL REQUIREMENTS TO PROVIDE ACCESSIBILITY PER LOCAL CODE AND THE ADA STANDARDS.

NOTE: SEE SHEET A11 FOR ART PACK SCHEDULE

SITE NUMBER:	03302
BASE MODEL:	3076
ASSET TYPE:	FRANCHISE
CLASSIFICATION:	REFRESH LITE
OWNER:	TAR HEEL CAPITAL
BASE VERSION:	2016 JUL
UPGRADE CLASSIFICATION:	N/A
PROJECT YEAR:	2020
FURNITURE PACKAGE:	UM BRIGHT
DRAWING RELEASE:	FALL 2019

Project No. 19-133

**snid design**  
ARCHITECTS

Results!

Design +,  
Bardtown-Eastern Building  
1449 Bardtown Rd, Suite 303  
Louisville, Kentucky 40204  
(502) 454-9511 (502) 454-4111 (MO)

**Wendy's**  
1210 HIGHWAY 70 SOUTHWEST  
HICKORY, NC. 28602

REV.	DATE	DESCRIPTION
------	------	-------------

ISSUE DATE: 1/6/2020  
PROJECT NUMBER: 03302  
DRAWN BY: KEN BROWN  
CHECKED BY: KEN BROWN

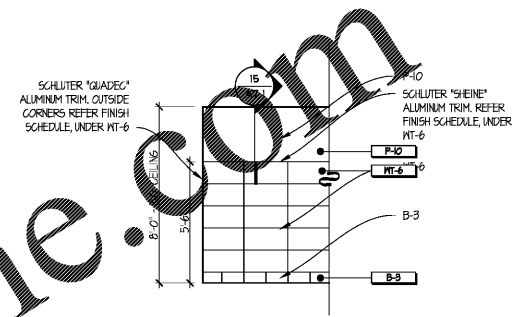


1/6/2020

SHEET NAME  
**INTERIOR ELEVATIONS RESTROOMS**

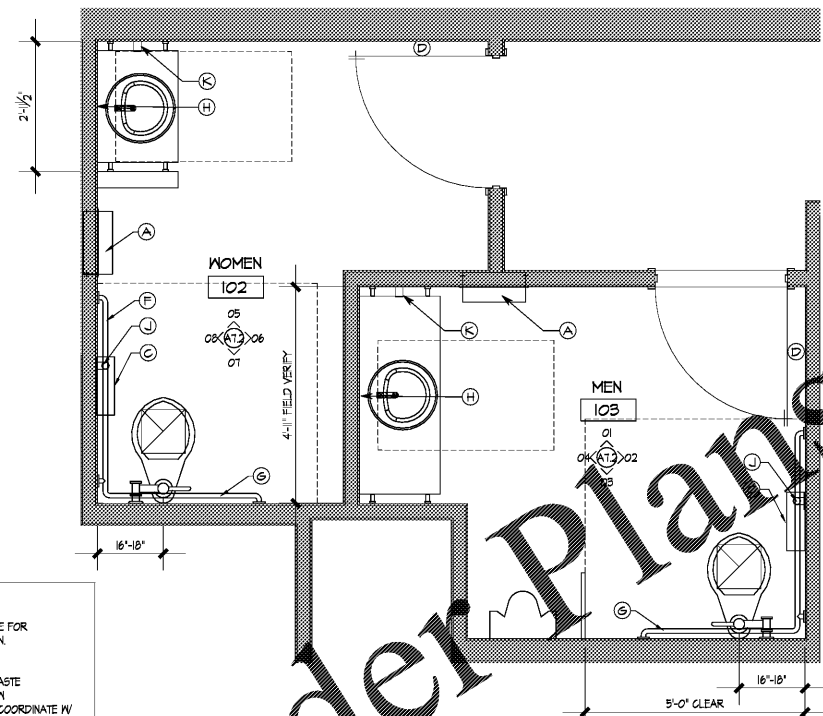
SHEET NUMBER

**A7.2**



**10 TYPICAL LAVATORY SECTION**  
SCALE: 1" = 1'-0"

**09 TYPICAL WALL FINISHES**  
SCALE: 1/4" = 1'-0"



**Order Plans**

**08 WOMEN TOILET**  
SCALE: 1/4" = 1'-0"

**07 WOMEN TOILET**  
SCALE: 1/4" = 1'-0"

**06 WOMEN TOILET**  
SCALE: 1/4" = 1'-0"

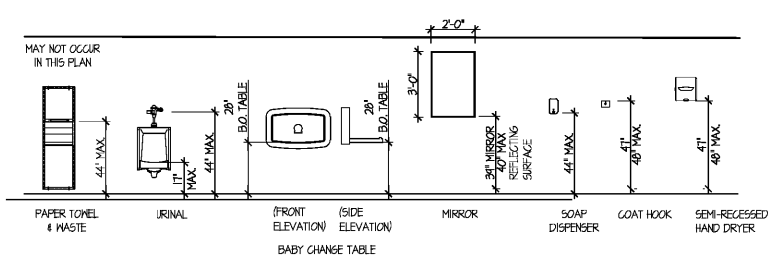
**05 WOMEN TOILET**  
SCALE: 1/4" = 1'-0"

**04 MEN TOILET**  
SCALE: 1/4" = 1'-0"

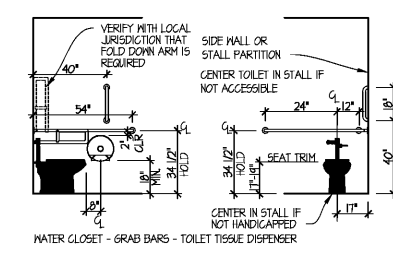
**03 MEN TOILET**  
SCALE: 1/4" = 1'-0"

**02 MEN TOILET**  
SCALE: 1/4" = 1'-0"

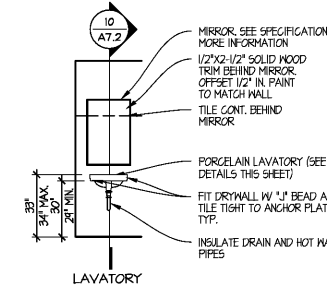
**01 MEN TOILET**  
SCALE: 1/4" = 1'-0"



**00 TYPICAL RESTROOM ACCESSORIES**  
SCALE: NTS



NOTE CONTRACTOR TO PROVIDE 2x6 HOOD BLOCKING IN HALL FOR ANCHORAGE OF GRAB BARS AS REQUIRED.



- REQUIRED RESTROOM SCOPE OF WORK**
- PATCH/PAINT EXISTING CEILING
  - NEW WALL TILE. REFER TO DESIGN GUIDE FOR COMPLIANT EXISTING FINISHES TO REMAIN.
  - NEW FLOOR TILE
  - NEW FIXTURES
  - NEW SEMI-RECESSED PAPER TOWEL & WASTE RECEPTACLE. FRANCHISE OPTION: NEW SEMI-RECESSED HAND DRYER. S.C. TO COORDINATE W/ OWNER'S REPRESENTATIVE THE DESIRED UNIT OR COMBINATION OF BOTH UNITS.
  - BABY CHANGING STATION (WHERE SPACE PERMITS)
  - NEW TOILET PARTITIONS & DOORS
  - NEW TOILET PAPER DISPENSER
  - NEW GRAB BARS

1/2/2020 8:28 PM N:\Projects\2114-133 Wendy's-Hickory\ACDrawings\shades3076\_A7\_INTERIOR\_ELEVATIONS.dwg KenB