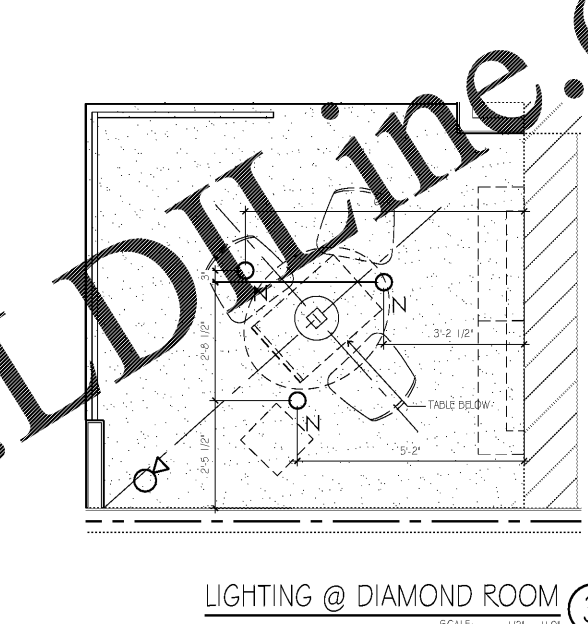
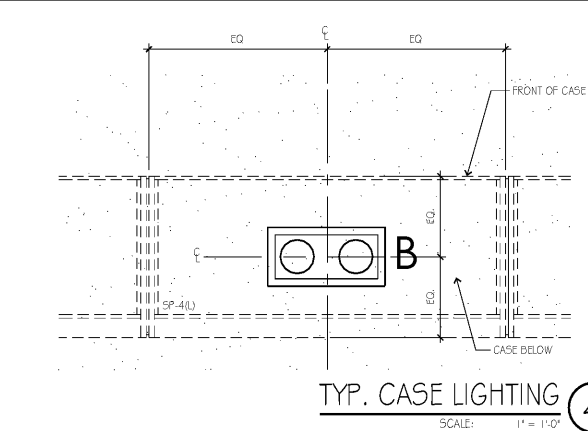
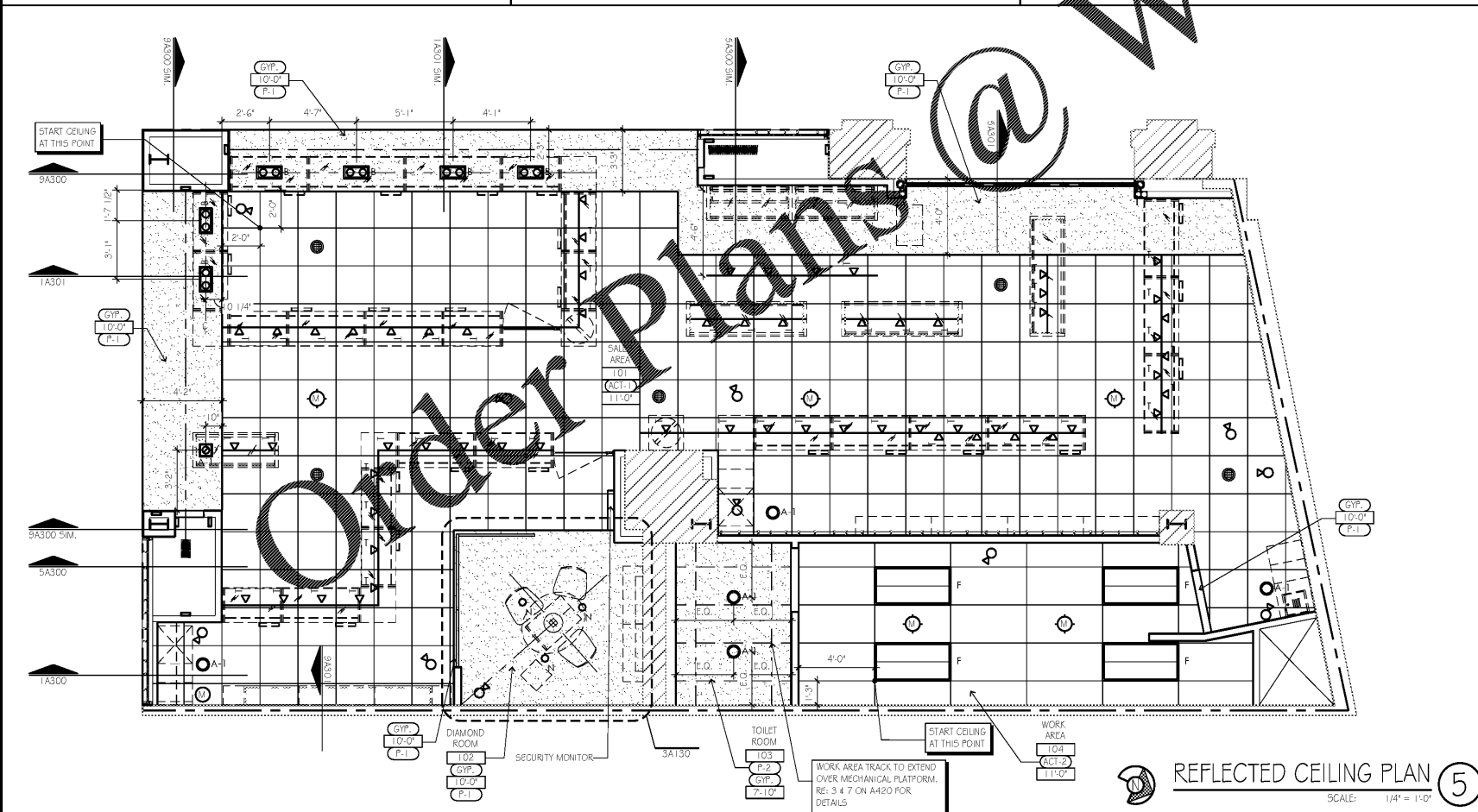
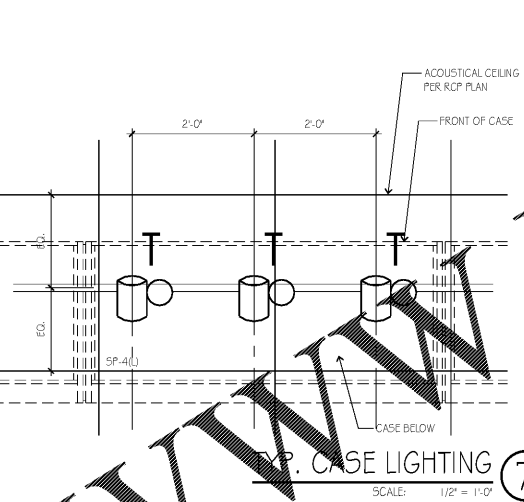
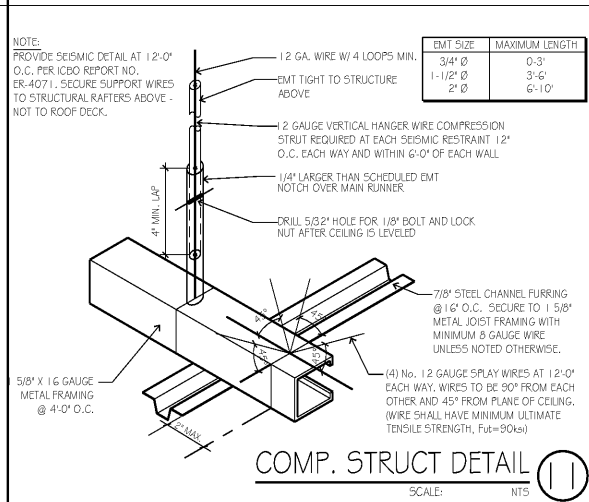
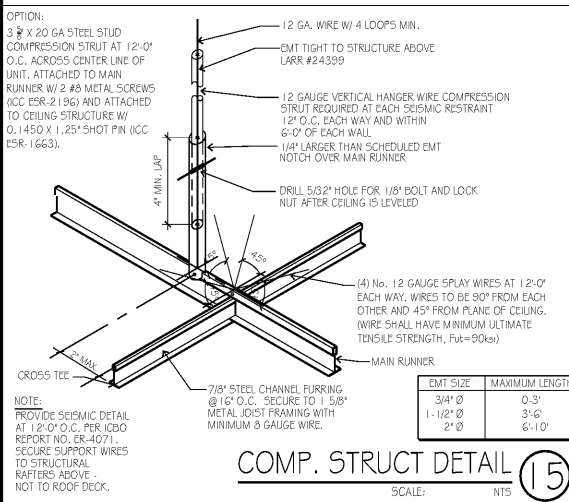


CEILING FIXTURE LEGEND					SYMBOL TAG MANUFACTURER CATALOG # DESCRIPTION / NOTES				
[Symbol]	A	SOLAIS LIGHTING	XAR11UM24I/540K/1600WHWH	RECESSED LED COMBO DOWNLIGHT LAMP - ONE (1) SOLAIS LED	[Symbol]				MOTION SENSOR 360°/INTRUSION ALARM
[Symbol]	A-1	CONTECH LIGHTING	R6NC240K12D-C6322-WHT	ACT/GRP. TRIM RECESSED LED DOWNLIGHT LAMP, ONE (1) TOP LED/700PS8041KFL (19 WATTS TO 14 WATTS)	[Symbol]				MOTION SENSOR 90°/INTRUSION ALARM
[Symbol]	B	SOLAIS LIGHTING	XAR12UM24I/540K/1600WHWH	RECESSED LED COMBO DOWNLIGHT LAMP - TWO (2) SOLAIS LED	[Symbol]				IP DOME CAMERA / CCTV
[Symbol]	C	SOLAIS LIGHTING	XAR13UM24I/540K/1600WHWH	RECESSED LED COMBO DOWNLIGHT LAMP - TWO (2) SOLAIS LED	[Symbol]				IP FACIAL RECOGNITION CAMERA / CCTV
[Symbol]	F5EM	PHILIPS	2FGG42B835-4-D-UV-DIM+EMLED	RECESSED LED 2X4 TROFFER	[Symbol]				FLUSH MOUNT SPEAKER
[Symbol]	G	MERCURY LIGHTING	M10G-228-T5-A-FLD-UVV	LINEAR T5 FLUORESCENT SHALLOW WRAP LUMINAIRE LAMP, 230066 PHILIPS F28T5/641	[Symbol]				18" X 18" ACCESS PANEL
[Symbol]	N	CONTECH	RL36 + CTR3008-P	KETRA LED LAMP - PAR-30 LAMP	TYPICAL DIRECTIONAL LIGHT DETAIL				
[Symbol]	N-1	CONTECH	XD20/25MAQ/1450WHUJ	CONTECH HOUSING WITH SOLAIS LED LAMP	NOTES				
[Symbol]	P1	FRANK & SON		ASTRAL ANGLES CHANDELER - TWELVE BULB BRANCHING CHANDELER	1. SECURITY FOR REFERENCE ONLY. COORDINATE FINAL LOCATION WITH SECURITY VENDOR.				
[Symbol]	TRACK	CONTECH		LT SINGLE CIRCUIT LINE VOLTAGE TRACK W/ END FEED CURRENT LIMITERS. REF. LIGHTING KEYNOTES FOR CURRENT LIMITER MODEL NUMBERS.					
[Symbol]	T-1	SOLAIS LIGHTING	XD20/25MAQ/1450WHUJ	WHITE TRACK HEAD (22 WATTS PER HEAD TO 17 WATTS)					
[Symbol]	LT			LED TAPE LIGHT					



REFERENCE		DESCRIPTION
2.0	EXISTING CONDITIONS	
2.01	PROTECTING EXISTING TO REMAIN AS IS	
2.02	REMOVE EXISTING - DISPOSE OF PROPERLY	
2.1	REMOVE EXISTING - CLEAN, STORE, REINSTALL	
2.42	REMOVE EXISTING - TURN OVER TO OWNER	
4.0	MASONRY	
4.1	MASONRY WALL W/ HOLD JOINT REINF.	
4.2	SMOOTH-FACE CMU W/ SOLID GROUT FILL @ ALL CELLS	
5.0	METALS	
5.1	3" METAL STUDS (16 O.C. MAX) OR AS NOTED	
5.2	1 1/2" X 20 GA METAL STUDS (16 O.C. MAX) UNLESS REFER TO AG10 - WALL TYPES	
5.3	1 1/2" X 20 GA METAL STUDS (16 O.C. MAX) UNLESS REFER TO AG10 - WALL TYPES	
5.4	1 1/2" X 20 GA METAL STUDS (16 O.C. MAX) UNLESS REFER TO AG10 - WALL TYPES	
5.5	1/2" X 20 GA METAL STUDS (16 O.C. MAX) UNLESS REFER TO AG10 - WALL TYPES	
5.6	3" X 20 GA TRACK W/ 1.5"	
5.7	3/8" X 20 GA METAL STUD WITH 1/2" FLANGE REFER TO AG10 - WALL TYPES	
5.8	1 1/2" X 20 GA METAL STUD WITH 1/2" FLANGE REFER TO AG10 - WALL TYPES	
5.9	1 1/2" X 20 GA METAL STUD WITH 1/2" FLANGE REFER TO AG10 - WALL TYPES	
5.10	1 1/2" X 20 GA METAL STUD WITH 1/2" FLANGE REFER TO AG10 - WALL TYPES	
5.11	1 1/2" X 20 GA METAL STUD WITH 1/2" FLANGE REFER TO AG10 - WALL TYPES	
5.12	1 1/2" X 20 GA METAL STUD WITH 1/2" FLANGE REFER TO AG10 - WALL TYPES	
5.13	1 1/2" X 20 GA METAL STUD WITH 1/2" FLANGE REFER TO AG10 - WALL TYPES	
5.14	1 1/2" X 20 GA METAL STUD WITH 1/2" FLANGE REFER TO AG10 - WALL TYPES	
5.15	1 1/2" X 20 GA METAL STUD WITH 1/2" FLANGE REFER TO AG10 - WALL TYPES	
5.16	1 1/2" X 20 GA METAL STUD WITH 1/2" FLANGE REFER TO AG10 - WALL TYPES	
5.17	1 1/2" X 20 GA METAL STUD WITH 1/2" FLANGE REFER TO AG10 - WALL TYPES	
5.18	1 1/2" X 20 GA METAL STUD WITH 1/2" FLANGE REFER TO AG10 - WALL TYPES	
5.19	1 1/2" X 20 GA METAL STUD WITH 1/2" FLANGE REFER TO AG10 - WALL TYPES	
5.20	1 1/2" X 20 GA METAL STUD WITH 1/2" FLANGE REFER TO AG10 - WALL TYPES	
5.21	1 1/2" X 20 GA METAL STUD WITH 1/2" FLANGE REFER TO AG10 - WALL TYPES	
5.22	1 1/2" X 20 GA METAL STUD WITH 1/2" FLANGE REFER TO AG10 - WALL TYPES	
5.23	1 1/2" X 20 GA METAL STUD WITH 1/2" FLANGE REFER TO AG10 - WALL TYPES	
5.24	1 1/2" X 20 GA METAL STUD WITH 1/2" FLANGE REFER TO AG10 - WALL TYPES	
5.25	1 1/2" X 20 GA METAL STUD WITH 1/2" FLANGE REFER TO AG10 - WALL TYPES	
5.26	1 1/2" X 20 GA METAL STUD WITH 1/2" FLANGE REFER TO AG10 - WALL TYPES	
5.27	1 1/2" X 20 GA METAL STUD WITH 1/2" FLANGE REFER TO AG10 - WALL TYPES	
5.28	1 1/2" X 20 GA METAL STUD WITH 1/2" FLANGE REFER TO AG10 - WALL TYPES	
5.29	1 1/2" X 20 GA METAL STUD WITH 1/2" FLANGE REFER TO AG10 - WALL TYPES	
5.30	1 1/2" X 20 GA METAL STUD WITH 1/2" FLANGE REFER TO AG10 - WALL TYPES	
5.31	1 1/2" X 20 GA METAL STUD WITH 1/2" FLANGE REFER TO AG10 - WALL TYPES	
5.32	1 1/2" X 20 GA METAL STUD WITH 1/2" FLANGE REFER TO AG10 - WALL TYPES	
5.33	1 1/2" X 20 GA METAL STUD WITH 1/2" FLANGE REFER TO AG10 - WALL TYPES	
5.34	1 1/2" X 20 GA METAL STUD WITH 1/2" FLANGE REFER TO AG10 - WALL TYPES	
5.35	1 1/2" X 20 GA METAL STUD WITH 1/2" FLANGE REFER TO AG10 - WALL TYPES	
5.36	1 1/2" X 20 GA METAL STUD WITH 1/2" FLANGE REFER TO AG10 - WALL TYPES	
5.37	1 1/2" X 20 GA METAL STUD WITH 1/2" FLANGE REFER TO AG10 - WALL TYPES	
5.38	1 1/2" X 20 GA METAL STUD WITH 1/2" FLANGE REFER TO AG10 - WALL TYPES	
5.39	1 1/2" X 20 GA METAL STUD WITH 1/2" FLANGE REFER TO AG10 - WALL TYPES	
5.40	1 1/2" X 20 GA METAL STUD WITH 1/2" FLANGE REFER TO AG10 - WALL TYPES	
5.41	1 1/2" X 20 GA METAL STUD WITH 1/2" FLANGE REFER TO AG10 - WALL TYPES	
5.42	1 1/2" X 20 GA METAL STUD WITH 1/2" FLANGE REFER TO AG10 - WALL TYPES	
5.43	1 1/2" X 20 GA METAL STUD WITH 1/2" FLANGE REFER TO AG10 - WALL TYPES	
5.44	1 1/2" X 20 GA METAL STUD WITH 1/2" FLANGE REFER TO AG10 - WALL TYPES	
5.45	1 1/2" X 20 GA METAL STUD WITH 1/2" FLANGE REFER TO AG10 - WALL TYPES	
5.46	1 1/2" X 20 GA METAL STUD WITH 1/2" FLANGE REFER TO AG10 - WALL TYPES	
5.47	1 1/2" X 20 GA METAL STUD WITH 1/2" FLANGE REFER TO AG10 - WALL TYPES	
5.48	1 1/2" X 20 GA METAL STUD WITH 1/2" FLANGE REFER TO AG10 - WALL TYPES	
5.49	1 1/2" X 20 GA METAL STUD WITH 1/2" FLANGE REFER TO AG10 - WALL TYPES	
5.50	1 1/2" X 20 GA METAL STUD WITH 1/2" FLANGE REFER TO AG10 - WALL TYPES	
5.51	1 1/2" X 20 GA METAL STUD WITH 1/2" FLANGE REFER TO AG10 - WALL TYPES	
5.52	1 1/2" X 20 GA METAL STUD WITH 1/2" FLANGE REFER TO AG10 - WALL TYPES	
5.53	1 1/2" X 20 GA METAL STUD WITH 1/2" FLANGE REFER TO AG10 - WALL TYPES	
5.54	1 1/2" X 20 GA METAL STUD WITH 1/2" FLANGE REFER TO AG10 - WALL TYPES	
5.55	1 1/2" X 20 GA METAL STUD WITH 1/2" FLANGE REFER TO AG10 - WALL TYPES	
5.56	1 1/2" X 20 GA METAL STUD WITH 1/2" FLANGE REFER TO AG10 - WALL TYPES	
5.57	1 1/2" X 20 GA METAL STUD WITH 1/2" FLANGE REFER TO AG10 - WALL TYPES	
5.58	1 1/2" X 20 GA METAL STUD WITH 1/2" FLANGE REFER TO AG10 - WALL TYPES	
5.59	1 1/2" X 20 GA METAL STUD WITH 1/2" FLANGE REFER TO AG10 - WALL TYPES	
5.60	1 1/2" X 20 GA METAL STUD WITH 1/2" FLANGE REFER TO AG10 - WALL TYPES	
5.61	1 1/2" X 20 GA METAL STUD WITH 1/2" FLANGE REFER TO AG10 - WALL TYPES	
5.62	1 1/2" X 20 GA METAL STUD WITH 1/2" FLANGE REFER TO AG10 - WALL TYPES	
5.63	1 1/2" X 20 GA METAL STUD WITH 1/2" FLANGE REFER TO AG10 - WALL TYPES	
5.64	1 1/2" X 20 GA METAL STUD WITH 1/2" FLANGE REFER TO AG10 - WALL TYPES	
5.65	1 1/2" X 20 GA METAL STUD WITH 1/2" FLANGE REFER TO AG10 - WALL TYPES	
5.66	1 1/2" X 20 GA METAL STUD WITH 1/2" FLANGE REFER TO AG10 - WALL TYPES	
5.67	1 1/2" X 20 GA METAL STUD WITH 1/2" FLANGE REFER TO AG10 - WALL TYPES	
5.68	1 1/2" X 20 GA METAL STUD WITH 1/2" FLANGE REFER TO AG10 - WALL TYPES	
5.69	1 1/2" X 20 GA METAL STUD WITH 1/2" FLANGE REFER TO AG10 - WALL TYPES	
5.70	1 1/2" X 20 GA METAL STUD WITH 1/2" FLANGE REFER TO AG10 - WALL TYPES	
5.71	1 1/2" X 20 GA METAL STUD WITH 1/2" FLANGE REFER TO AG10 - WALL TYPES	
5.72	1 1/2" X 20 GA METAL STUD WITH 1/2" FLANGE REFER TO AG10 - WALL TYPES	
5.73	1 1/2" X 20 GA METAL STUD WITH 1/2" FLANGE REFER TO AG10 - WALL TYPES	
5.74	1 1/2" X 20 GA METAL STUD WITH 1/2" FLANGE REFER TO AG10 - WALL TYPES	
5.75	1 1/2" X 20 GA METAL STUD WITH 1/2" FLANGE REFER TO AG10 - WALL TYPES	
5.76	1 1/2" X 20 GA METAL STUD WITH 1/2" FLANGE REFER TO AG10 - WALL TYPES	
5.77	1 1/2" X 20 GA METAL STUD WITH 1/2" FLANGE REFER TO AG10 - WALL TYPES	
5.78	1 1/2" X 20 GA METAL STUD WITH 1/2" FLANGE REFER TO AG10 - WALL TYPES	
5.79	1 1/2" X 20 GA METAL STUD WITH 1/2" FLANGE REFER TO AG10 - WALL TYPES	
5.80	1 1/2" X 20 GA METAL STUD WITH 1/2" FLANGE REFER TO AG10 - WALL TYPES	
5.81	1 1/2" X 20 GA METAL STUD WITH 1/2" FLANGE REFER TO AG10 - WALL TYPES	
5.82	1 1/2" X 20 GA METAL STUD WITH 1/2" FLANGE REFER TO AG10 - WALL TYPES	
5.83	1 1/2" X 20 GA METAL STUD WITH 1/2" FLANGE REFER TO AG10 - WALL TYPES	
5.84	1 1/2" X 20 GA METAL STUD WITH 1/2" FLANGE REFER TO AG10 - WALL TYPES	
5.85	1 1/2" X 20 GA METAL STUD WITH 1/2" FLANGE REFER TO AG10 - WALL TYPES	
5.86	1 1/2" X 20 GA METAL STUD WITH 1/2" FLANGE REFER TO AG10 - WALL TYPES	
5.87	1 1/2" X 20 GA METAL STUD WITH 1/2" FLANGE REFER TO AG10 - WALL TYPES	
5.88	1 1/2" X 20 GA METAL STUD WITH 1/2" FLANGE REFER TO AG10 - WALL TYPES	
5.89	1 1/2" X 20 GA METAL STUD WITH 1/2" FLANGE REFER TO AG10 - WALL TYPES	
5.90	1 1/2" X 20 GA METAL STUD WITH 1/2" FLANGE REFER TO AG10 - WALL TYPES	
5.91	1 1/2" X 20 GA METAL STUD WITH 1/2" FLANGE REFER TO AG10 - WALL TYPES	
5.92	1 1/2" X 20 GA METAL STUD WITH 1/2" FLANGE REFER TO AG10 - WALL TYPES	
5.93	1 1/2" X 20 GA METAL STUD WITH 1/2" FLANGE REFER TO AG10 - WALL TYPES	
5.94	1 1/2" X 20 GA METAL STUD WITH 1/2" FLANGE REFER TO AG10 - WALL TYPES	
5.95	1 1/2" X 20 GA METAL STUD WITH 1/2" FLANGE REFER TO AG10 - WALL TYPES	
5.96	1 1/2" X 20 GA METAL STUD WITH 1/2" FLANGE REFER TO AG10 - WALL TYPES	
5.97	1 1/2" X 20 GA METAL STUD WITH 1/2" FLANGE REFER TO AG10 - WALL TYPES	
5.98	1 1/2" X 20 GA METAL STUD WITH 1/2" FLANGE REFER TO AG10 - WALL TYPES	
5.99	1 1/2" X 20 GA METAL STUD WITH 1/2" FLANGE REFER TO AG10 - WALL TYPES	
5.100	1 1/2" X 20 GA METAL STUD WITH 1/2" FLANGE REFER TO AG10 - WALL TYPES	

LANDLORD COMMENTS 2

SCALE: NTS

- IN LOCATING CEILING ELEVATION DIMENSIONS, FIRST LOCATE, THEN MAKE ALL MEASUREMENTS FROM THE HIGH POINT OF THE FINISH FLOOR. REFERENCE THE FLOOR PLAN SHEET A100. FOR ADDITIONAL LAYOUT NOTES, STOREFRONT #1 TRIM TO BE LEVEL.
- COORDINATE FINAL LOCATION OF J-BOX / CONDUIT FOR SECURITY SYSTEMS WITH PROJECT MANAGER. LIGHTING TAKES PRECEDENT OVER HVAC AND SPRINKLER EQUIPMENT.
- GENERAL CONTRACTOR TO PROVIDE ACCESS PANELS PER LANDLORD OR PROJECT MANAGER REQUEST CONFIRM LOCATION WITH PROJECT MANAGER.
- ALL SPRINKLER HEAD LOCATION ADJUSTMENTS TO BE MADE BY LANDLORD'S SUBCONTRACTOR AT TENANT'S EXPENSE.
- ALL LIGHT FIXTURES IN GYPSUM BOARD SOFFITS TO BE LOCATED PER DIMENSIONS ON PLAN.
- SPRING WIRES FOR CEILING SUSPENSION GRID MUST NOT BE CONNECTED TO ANY ELECTRICAL, MECHANICAL PLUMBING OR FIRE PROTECTION EQUIPMENT.
- DISPLAY CASE TEMPLATES SHALL BE TAPED TO FLOOR AND PERMANENTLY OUTLINED IN ORDER TO LOCATE CEILING LIGHTS, STOREFRONT COLUMNS AND WALLS. NOTIFY OWNER OF ANY DISCREPANCIES AND COORDINATE WITH OWNER TO REVIEW ENTIRE STORE BEFORE INSTALLATION OF WALLS.
- ALL DIMENSIONS ARE TO THE CENTER OF LIGHT FIXTURES UNLESS NOTED OTHERWISE.
- ELECTRICIAN TO AFFIX IDENTIFICATION NAMEPLATE ON TENANT'S MAIN ELECTRICAL DISCONNECT ON LANDLORD DISTRIBUTION PANEL.
- ALL FIRE DAMPERS TO BE IDENTIFIED WITH STICKER INSTALLED ON CEILING BELOW.
- PLENUM CANNOT CONTAIN COMBUSTIBLES. CONFIRM ACCESS PANEL LOCATIONS WITH OWNER AND ARCHITECT IF MODIFIED IN FIELD.
- GENERAL CONTRACTOR TO PROVIDE ALL FIRE AND SMOKE DAMPERS AT ALL DUCTWORK PENETRATIONS @ RATED CONSTRUCTION. INSTALL PER M-XS. COORDINATE SOFFIT HEIGHTS WITH MILLWORK AS APPLICABLE.
- IT IS THE GENERAL CONTRACTOR'S RESPONSIBILITY TO SUBMIT PLANS FOR MODIFICATION OF THE FIRE SPRINKLER SYSTEM AS REQUIRED TO ACCOMMODATE NEW DESIGN. GENERAL CONTRACTOR TO USE LANDLORD REQUIRED SPRINKLER CONTRACTOR AND TO ACCOUNT FOR REVIEW TIME AND COST IN BID. DRAWINGS TO BE SENT TO LANDLORD, OWNER AND ARCHITECT FOR RECORD UNLESS COMMUNICATED OTHERWISE.
- RE: 4A130 TYP. CASE LIGHTING LOCATION.

GENERAL NOTES 1

SCALE: NTS

hckloverarchitect
8813 PENROSE LANE, SUITE 400 • LENEXA, KS 66219
PH: 913.649.8181 • FX: 913.649.1275 • WWW.HCKLOVER.COM

HELZBERG
DIAMONDS
STORE 211, NG-M
MALL OF GEORGIA
3333 BUFORD DR, 2070C
BUFFORD, GEORGIA 30519

project title
project number
1907.019
drawing issuance
OWNER/PERMIT/BD 1.7.20
drawing revisions
Date Description

professional seal

drawing title
REFLECTED CEILING PLAN
drawing number
A130