

STIPULATION FOR REUSE
 THIS DRAWING IS THE PROPERTY OF HARRISON FRENCH & ASSOCIATES, LTD. IT IS TO BE USED ONLY FOR THE PROJECT AND SITE SPECIFICALLY IDENTIFIED HEREON. IT IS NOT TO BE REPRODUCED, COPIED, REUSED, OR TRANSMITTED IN ANY FORM OR BY ANY MEANS, ELECTRONIC OR MECHANICAL, INCLUDING PHOTOCOPYING, RECORDING, OR BY ANY INFORMATION STORAGE AND RETRIEVAL SYSTEM, WITHOUT THE WRITTEN PERMISSION OF HARRISON FRENCH & ASSOCIATES, LTD.

1911 HWY 34 W
 DILLON, SC 29536
**FRESH KITCHEN LITE REMODEL/
 SHOWER & LAUNDRY ADDITION/
 FREEZER, COOLER & STORAGE
 ADDITION**
 PROJECT NUMBER: 03-18-10371

Loves
**Travel Stop &
 Country Stores**

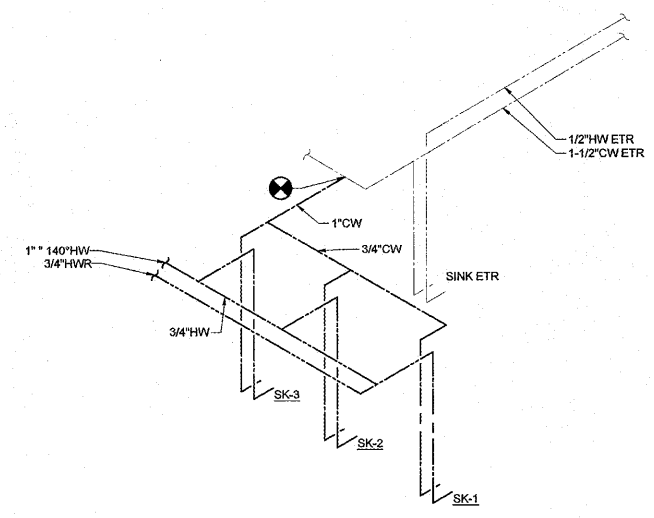
HARRISON FRENCH & ASSOCIATES, LTD.
 ARCHITECTS & ENGINEERS
 No. 003090
 JOHN KENNETH RILEY
 No. 36083
 JAN 02 2020

ISSUE BLOCK

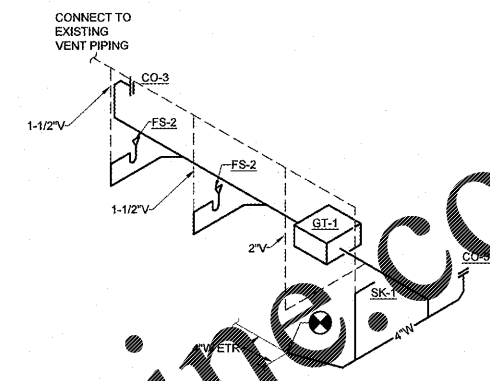
STORE NO.	371
DOCUMENT DATE:	01/03/20
CHECKED BY:	JKR
DRAWN BY:	JSB
PROTO CYCLE:	

**WASTE &
 WATER RISERS**

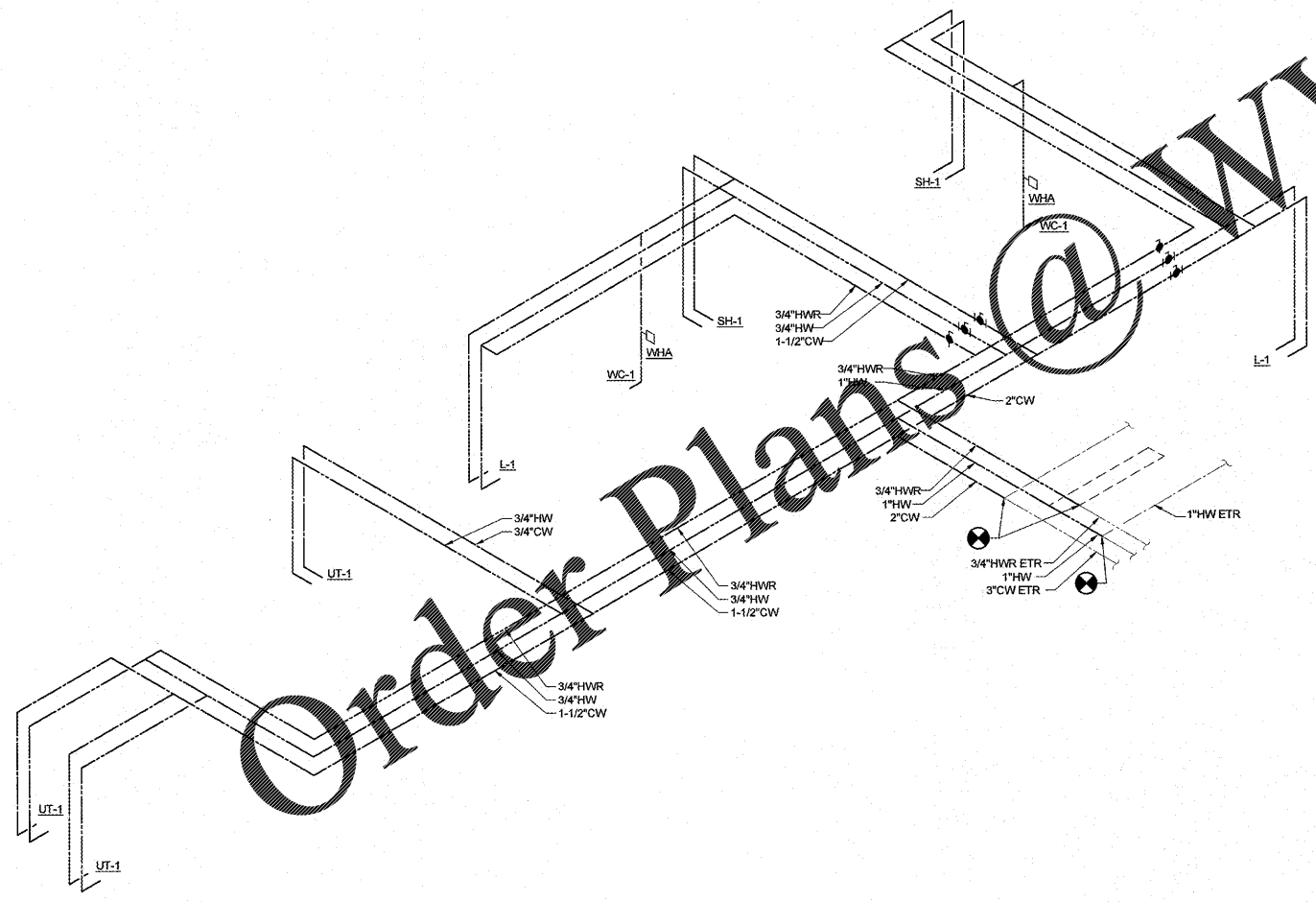
SHEET:
P2



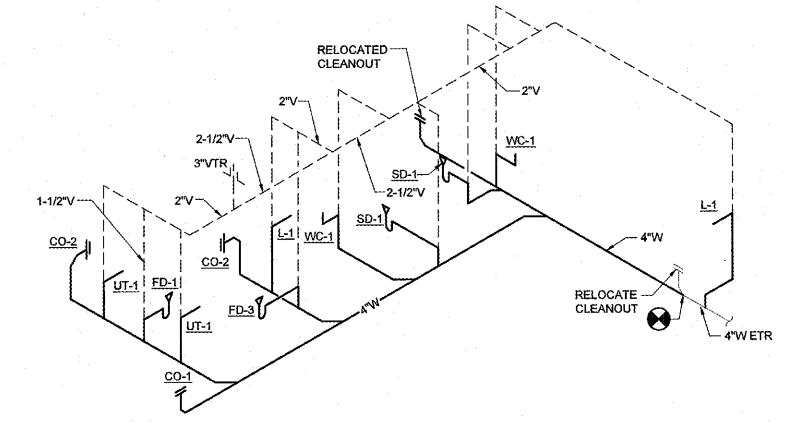
4 PREP ROOM WATER RISER
 SCALE: N.T.S.



3 PREP ROOM WASTE AND VENT RISER
 SCALE: N.T.S.



2 SHOWER/LAUNDRY ADDITION WATER RISER
 SCALE: N.T.S.



1 SHOWER/LAUNDRY ADDITION WASTE AND VENT RISER
 SCALE: N.T.S.

Order Plans @ www.LDILine.com