

AIR DEVICE SCHEDULE													
MARK	MANUFACTURER/ MODEL	SERVICE	NECK SIZE (IN.)	MODULE SIZE	MAX. AIRFLOW RATE (CFM)	STATIC PRESSURE DROP (IN H2O)	THROW @50 FPM (FT)	MAXIMUM NC RATING	PATTERN	THROW DIRECTION	MATERIAL	BORDER	NOTES
A	NAILOR	SUPPLY	8"Ø	24"X24"	245	0.08	8.0	<10	4-WAY	HORIZONTAL	STEEL	LAY-IN	1-5
B	NAILOR	SUPPLY	10"Ø	24"X24"	382	0.09	12.0	18	4-WAY	HORIZONTAL	STEEL	LAY-IN	1-5
C	NAILOR	4320CBA	8"Ø	16"X16"	210	0.09	10.0	21	4-WAY	HORIZONTAL	ALUMINUM	SURFACE	1-5
E	NAILOR	RETURN	22"X22"	24"X24"	1268	0.05	--	20	--	--	ALUMINUM	LAY-IN	1-5
F	NAILOR	6145LHD-AL	8"Ø	12"X12"	200	0.02	--	--	--	--	ALUMINUM	SURFACE	1-5

GENERAL NOTES:
A. NOT ALL AIR DEVICES LISTED MAY BE USED ON PLANS.

NOTES:
1. BORDER TYPES SHALL BE COMPATIBLE WITH ARCHITECTURAL CEILING TYPE FOR THE ROOM IN WHICH THE AIR DEVICE IS LOCATED.
2. SEE HVAC PLANS FOR LOCATION AND AIR QUANTITIES OF EACH AIR DEVICE.
3. ALL AIR DEVICES SHALL BE TESTED IN ACCORDANCE WITH ASHRAE STANDARD 70-91.
4. NC VALUES ARE BASED UPON A 10 dB ROOM ATTENUATION.
5. OWNER PROVIDED AND CONTRACTOR INSTALLED. REFER TO SPECIFICATIONS
6. PROVIDE FIELD BUILT PLENUM 46X22X27 HIGH PLENUM 14"Ø SIDE INLET.

SPLIT-DUCTLESS FAN COIL SCHEDULE												
MARK	MANUFACTURER/ MODEL	TYPE	OPERATION	SUPPLY FAN		COOLING CAPACITY		ELECTRICAL		WEIGHT	NOTES	
				SUPPLY (CFM)	OSA (CFM)	SENS.	TOTAL	VOLT/PH	FLA			
DFC-01	SAMSUNG AC018NN4DCHAA	CEILING MOUNT CASSETT	COOLING	500	0	--	18,000	208/1	0.6	33	1-6	

NOTES:
1. PROVIDE BY OWNER FOR INSTALLATION BY CONTRACTOR
2. CONTRACTOR SHALL VERIFY WITH EQUIPMENT SUPPLIER THE SIZE OF REFRIGERANT PIPING
3. PROVIDE CASSETTE GRILLE (PC4NUJFMUN)
4. INSTALL PER MANUFACTURER'S RECOMMENDATIONS
5. PROVIDE WIRED REMOTE THERMOSTAT (MWR-WE13UN)
6. ROUTE CONDENSATE TO NEAREST APPROVED RECEPTOR

EXHAUST FAN SCHEDULE												
MARK	MANUFACTURER/ MODEL	LOC. AT ROOM	TYPE	MIN. CAP		DRIVE		MOTOR (BY M.C.)			NOTES	
				CFM	ESP	HP	RPM	SPEED	ELEC.			
EF-5	PENNBARRY DX11R	SHOWER	CENT	400	0.5	DIR	1/8	1550	1	120/1	1-4	

NOTES:
1. WIRE TO RUN CONTINUOUSLY.
2. FAN & CURB PROVIDED BY LOVE'S FOR INSTALLATION BY CONTRACTOR.
3. PROVIDE UNIT WITH 24" INSULATED FACTORY ROOF CURB, BACKDRAFT DAMPER, BIRD SCREEN, FIRE STAT AND DISCONNECT.
4. PROVIDE WITH FACTORY SPEED CONTROLLER.

ROOF TOP UNIT SCHEDULE														
MARK	MANUFACTURER/ MODEL	NOMINAL TONS	FAN HP	SUPPLY FAN			COOLING CAPACITY		INPUT (KW)	ELECTRICAL			WEIGHT (LBS)	NOTES
				SUPPLY (CFM)	OSA (CFM)	E.S.P. (IN WC)	SENS.	TOTAL		VOLT/PH	MCA	MOCP		
RTU-3	LENNOX LCH048H4E	4	0.75	1,400	500	0.5	36.5	47.4	7.5	208/3	28	40	823	1-13

NOTES:
1. AIR FILTERS SHALL BE 2-INCH THICK MERV 8 EFFICIENCY IN ACCORDANCE WITH ASHRAE 52.2 TEST METHOD & WITH CLOGGED FILTER SWITCH.
2. PROVIDE WITH INTEGRAL SMOKE DETECTOR IN THE RETURN AIR SIDE OF UNIT; INTERCONNECT TO REMOTE VISUAL & AUDIBLE ALARM FIELD WIRED.
3. ALL RTU(S) PROVIDED BY OWNER FOR INSTALLATION BY MECHANICAL CONTRACTOR.
4. PROVIDE WITH FACTORY INSTALLED FIELD WIRED DISCONNECT
5. PROVIDE WITH FACTORY INSTALLED FIELD WIRED GFCI OUTLET.
6. PROVIDE WITH 24-INCH TALL ROOF CURB.
7. PROVIDE WITH HAIL GUARD AND FRESH AIR TEMPERING OPTION.
8. PROVIDE WITH DIFFERENTIAL SENSIBLE ECONOMIZER & BAROMETRIC RELIEF.
9. PROVIDE WITH WALL MOUNT THERMOSTAT.
10. PROVIDE WITH REMOTE TEMPERATURE SENSOR (REFERENCE PLANS FOR LOCATION); WIRING SHALL BE INSTALLED BY THE MECHANICAL CONTRACTOR. COORDINATE THERMOSTAT PROVIDED WITH EQUIPMENT.
11. PROVIDE WITH HINGED ACCESS DOORS.
12. PROVIDE WITH HOT-GAS REHEAT CONTROLLED BY FIELD INSTALLED DUCT SENSOR.
13. HVAC UNITS TO BE REPROGRAMMED BASED ON LOVE'S STANDARD CONFIGURATION. CONTACT LENNOX NATIONAL ACCOUNT REPRESENTATIVE DAVID CARRY (469) 203-2374 FOR PROGRAMMING INFORMATION.

AIR COOLED CONDENSING UNIT SCHEDULE												
MARK	MANUFACTURER/ MODEL	CAPACITY (TONS)	ELECTRICAL			WEIGHT	NOTES					
			VOLT/PH	MCA	MOCP							
HP-01	SAMSUNG AC018JXADCHAA	1.5	208/1	8.1	15	99	1-5					

NOTES:
1. CONDENSING UNIT ID CORRESPOND WITH INDOOR SYSTEM ID
2. PROVIDED BY OWNER FOR INSTALLATION BY CONTRACTOR
3. PROVIDE COIL HAIL GUARD
4. PROVIDE LOW AMBIENT WIND Baffle KIT
5. INSTALL PER MANUFACTURER'S RECOMMENDATIONS

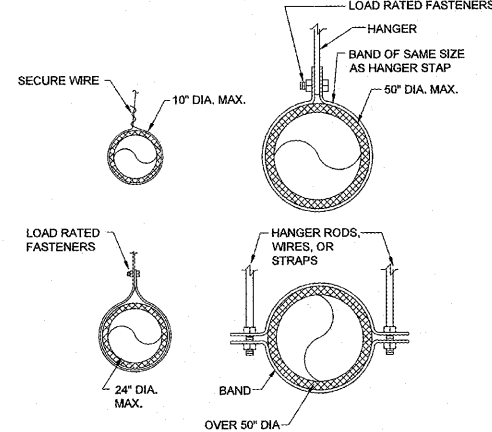
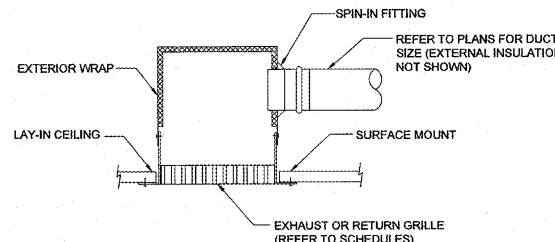
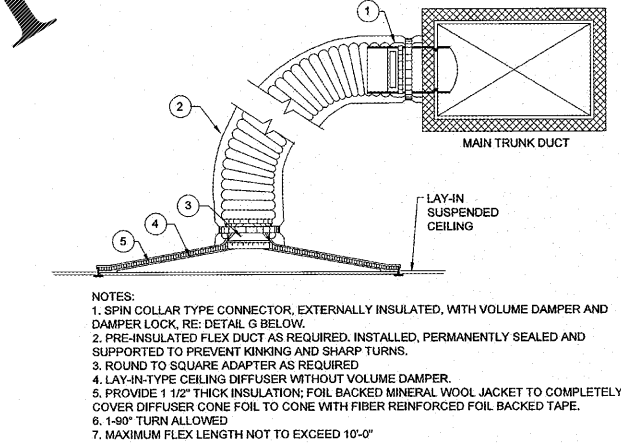
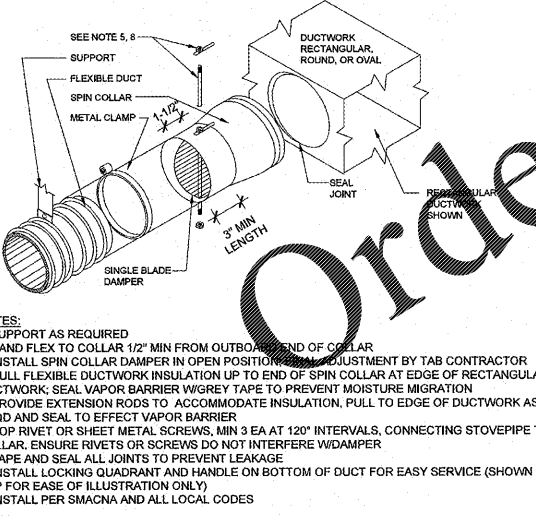
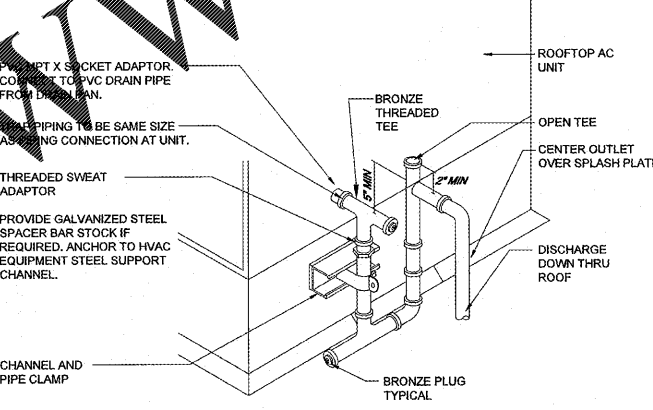
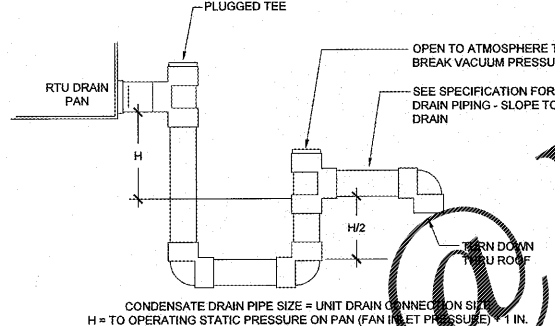
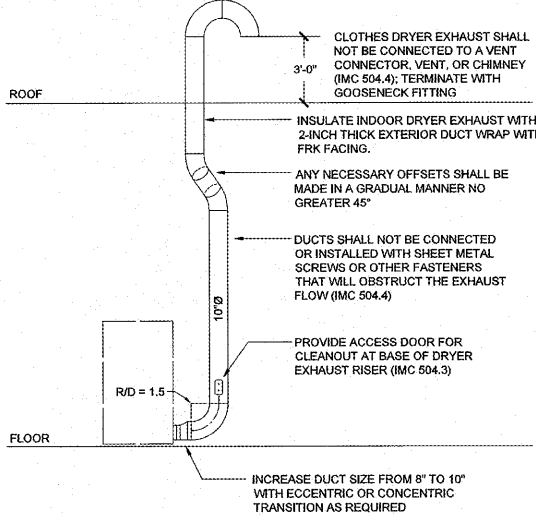
AIR BALANCE SCHEDULE			
MARK	LOVE'S AIR BALANCE	DIAMETER	E/A
RTU-3	1.4	500	400
TO	1.400	500	400

NOTE:
1. FIELD VERIFY THE EXISTING SPACE PRESSURE BALANCE.
2. REBALANCE TO ACHIEVE POSITIVE SPACE PRESSURE BALANCE AS SHOWN

LOUVER SCHEDULE												
MARK	MANUFACTURER	MODEL	LOCATION	SIZE (IN.)	TYPE	MAX. AIRFLOW RATE (CFM)	STATIC PRESSURE DROP (IN H2O)	FREE AREA (SQ. FT.)	AIR VELOCITY	NOTES		
EAL-01	SEIHO	RCC-S	EXTERIOR WALL	8"Ø	EXHAUST	222	0.25	0.16	1387	1		

1. OWNER PROVIDED FOR INSTALLATION BY MECHANICAL CONTRACTOR.

PROJECT SCHEDULE				
NAME	LOCATION	HEATING SEASON DB (°F)	COOLING SEASON DBWB (°F)	ALTITUDE (FT)
LOVE'S TRAVEL STOP	DILLON, SC	21	92/78	112



MINIMUM HANGER SIZES FOR ROUND DUCT				
DIA.	MAX. SPACING	WIRE DIAMETER	ROD	STRAP
10"DN	12'	(1) 12 GA.	1/4"	1"X22 GA.
11-18"	12'	(2) 12 GA. OR (1) 8 GA.	1/4"	1"X22 GA.
19-24"	12'	(2) 10 GA.	1/4"	1"X22 GA.
25-36"	12'	(2) 8 GA.	3/8"	1"X20 GA.
37-50"	12'	--	(2) 3/8"	(2) 1"X20 GA.
51-60"	12'	--	(2) 3/8"	(2) 1"X18 GA.
61-84"	12'	--	(2) 3/8"	(2) 1"X16 GA.

NOTES:
1. STRAPS ARE GALVANIZED STEEL; RODS ARE UNCOATED OR GALVANIZED STEEL; WIRE IS BLACK ANNEALED, BRIGHT BASIC OR GALVANIZED STEEL; ALL ARE ALTERNATIVES.
2. TABULATED DATA FROM 1995 SMACNA STANDARDS ALLOWS FOR DUCT REINFORCING AND INSULATION, BUT NO EXTERNAL LOAD.
3. HANGERS MUST NOT DEFORM DUCT SHAPE.

HFA
Creative Solutions
Meaningful Places

HARRISON FRENCH & ASSOCIATES
ARCHITECTS & ENGINEERS

1705 S. Walton Blvd., Suite 3
Bentonville, Arkansas 72712
t 479.273.7780
f 888.520.9685
www.hfa-se.com

STIPULATION FOR REUSE
THIS DRAWING IS THE PROPERTY OF HARRISON FRENCH & ASSOCIATES, LTD. AND IS NOT TO BE REPRODUCED OR TRANSMITTED IN ANY FORM OR BY ANY MEANS, ELECTRONIC OR MECHANICAL, INCLUDING PHOTOCOPYING, RECORDING, OR BY ANY INFORMATION STORAGE AND RETRIEVAL SYSTEM, WITHOUT THE WRITTEN PERMISSION OF HARRISON FRENCH & ASSOCIATES, LTD. ANY UNAUTHORIZED REUSE OF THIS DRAWING IS STRICTLY PROHIBITED AND WILL BE PROSECUTED TO THE FULL EXTENT OF THE LAW.

1911 HWY 34 W
DILLON, SC 29536

FRESH KITCHEN LITE REMODEL/
SHOWER & LAUNDRY ADDITION/
FREEZER, COOLER & STORAGE
ADDITION

PROJECT NUMBER: 03-18-1071

Love's
Travel Stop &
Country Stores

HARRISON FRENCH & ASSOCIATES, LTD.
No. C03060

REGISTERED PROFESSIONAL ENGINEER
SOUTH CAROLINA
No. 36083
JOHN KENNETH RAY, P.E.

JAN 02 2020

ISSUE BLOCK	

STORE NO.	371
DOCUMENT DATE:	01/03/20
CHECKED BY:	JKR
DRAWN BY:	JSB
PROTO CYCLE:	

MECHANICAL
DETAILS &
SCHEDULES

SHEET:
M3

2020-01-15 10:00am - User: jama.burke@hfa.com
 C:\Users\jama.burke\Documents\03-18-1071\03-18-1071.dwg