

STIPULATION FOR REUSE
THIS DRAWING WAS PREPARED FOR THE PROJECT AND SITE SPECIFICALLY. IT IS NOT TO BE REUSED FOR ANY OTHER PROJECT, SITE OR AT A DIFFERENT LOCATION WITHOUT THE WRITTEN CONSENT OF HARRISON FRENCH & ASSOCIATES, LTD. ANY REUSE OF THIS DRAWING FOR ANY OTHER PROJECT, SITE OR AT A DIFFERENT LOCATION WITHOUT THE WRITTEN CONSENT OF HARRISON FRENCH & ASSOCIATES, LTD. IS PROHIBITED.

1911 HWY 34 W
DILLON, SC 29536
FRESH KITCHEN LITE REMODEL/
SHOWER & LAUNRY ADDITION/
FREEZER, COOLER & STORAGE
ADDITION
PROJECT NUMBER: 03-18-10371

Loves
Travel Stop &
Country Stores

HARRISON FRENCH & ASSOCIATES, LTD
No. C03060

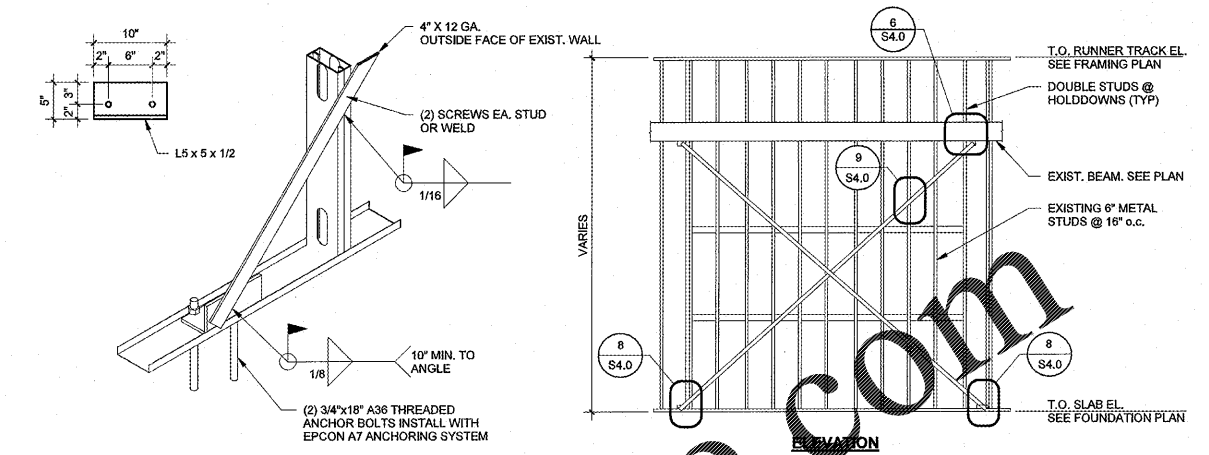
SOUTH CAROLINA
Professional Engineer
No. 29885
LUNGSHEN TSAO

ISSUE BLOCK

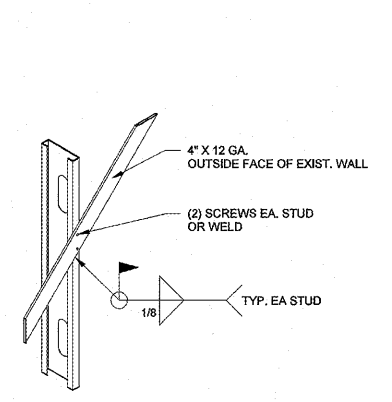
STORE NO. 371
DOCUMENT DATE: 01/03/20
CHECKED BY: LST
DRAWN BY: JWK
PROTO CYCLE:

ROOF FRAMING DETAILS

SHEET: **S4.0**

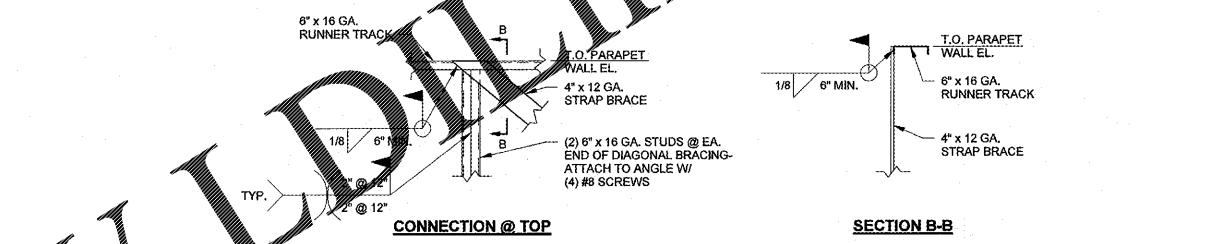


7 TYP. STRAP BRACE CONNECTION @ EXISTING
1" = 1'-0"

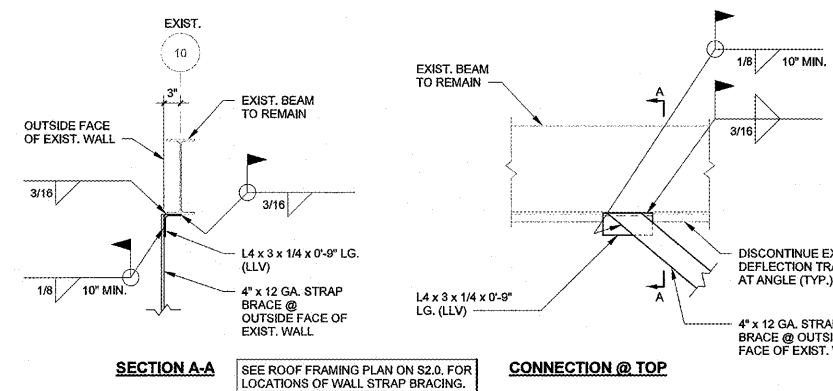
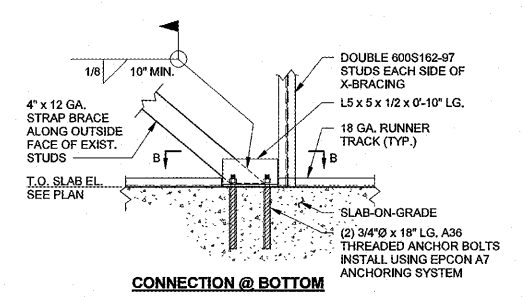


9 STRAP BRACE AT STUD
1" = 1'-0"

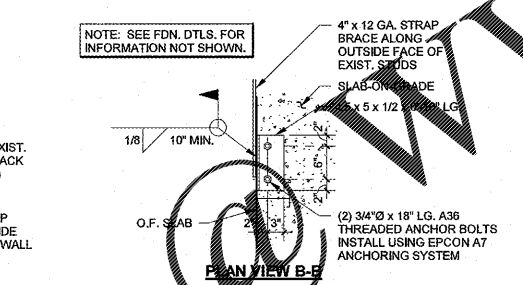
8 STRAP BRACE DETAIL
1" = 1'-0"



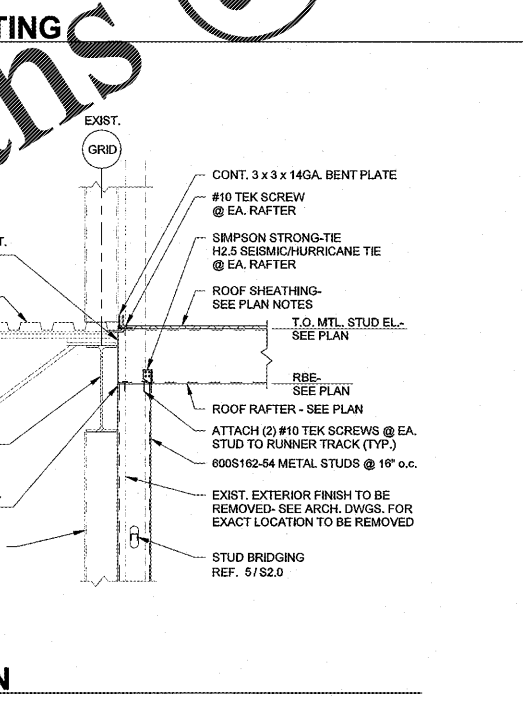
5 TYP. STRAP BRACE AT EXTERIOR WALL CONNECTION DETAIL
3/4" = 1'-0"



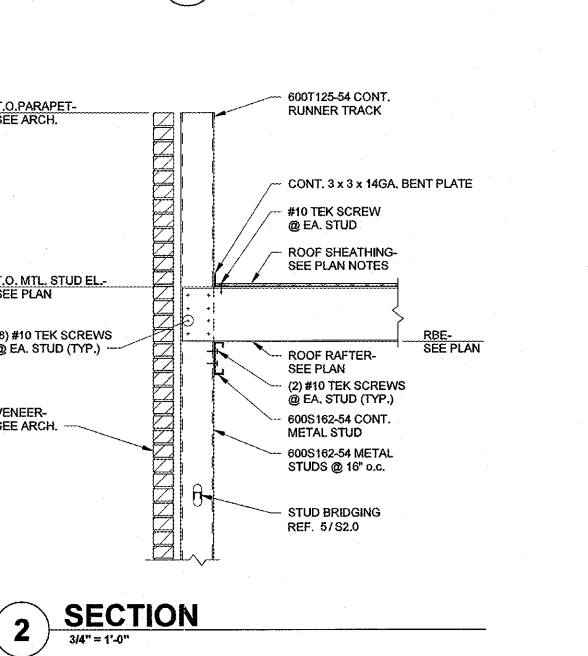
6 TYP. STRAP BRACE CONNECTION DETAIL @ EXISTING
3/4" = 1'-0"



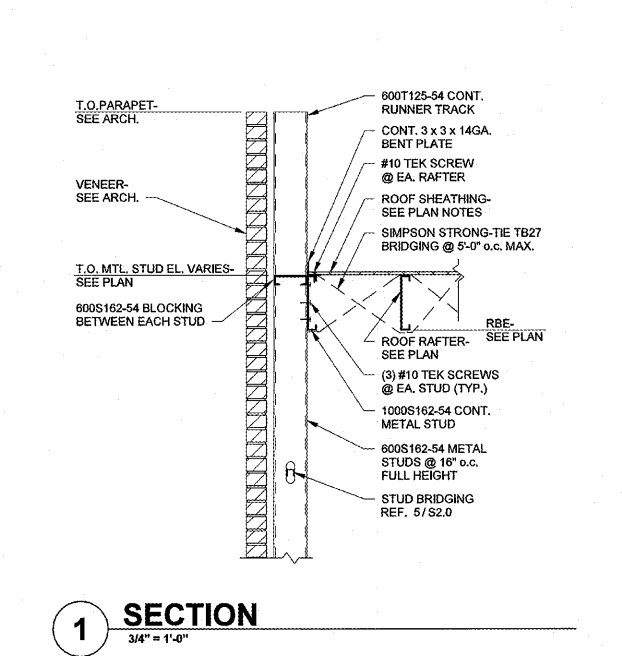
4 SECTION
3/4" = 1'-0"



3 SECTION
3/4" = 1'-0"



2 SECTION
3/4" = 1'-0"



1 SECTION
3/4" = 1'-0"