

STIPULATION FOR REUSE
THIS DRAWING WAS PREPARED FOR THE PROJECT AND SITE SPECIFICALLY FOR THE PROJECT AND SITE. IT IS NOT TO BE REUSED FOR ANY OTHER PROJECT OR SITE WITHOUT THE WRITTEN PERMISSION OF HARRISON FRENCH & ASSOCIATES, LTD. ANY REUSE OF THIS DRAWING FOR ANY OTHER PROJECT OR SITE WITHOUT THE WRITTEN PERMISSION OF HARRISON FRENCH & ASSOCIATES, LTD. IS STRICTLY PROHIBITED.

1911 HWY 34 W
DILLON, SC 29536
FRESH KITCHEN LITE REMODEL/
SHOWER & LAUNDRY ADDITION/
FREEZER, COOLER & STORAGE
ADDITION
PROJECT NUMBER: 03-18-10371

Love's
Travel Stop &
Country Stores

HARRISON FRENCH & ASSOCIATES, LTD
No. C03060
SOUTH CAROLINA
Professional Engineer
No. 28885
LUNGSHEN, XIAO

ISSUE BLOCK	

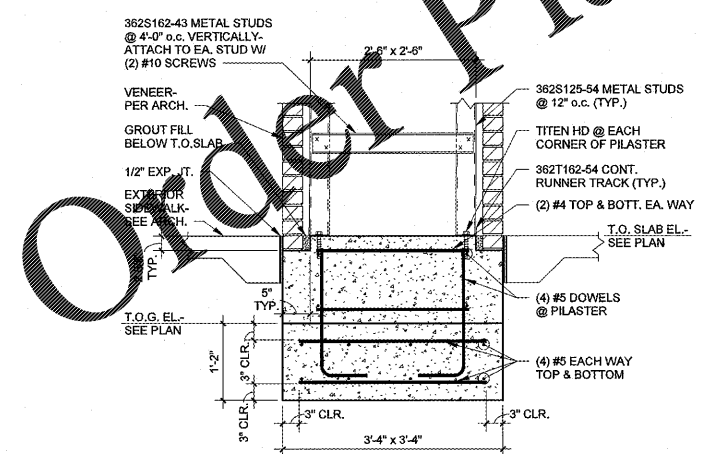
STORE NO. 371
DOCUMENT DATE: 01/03/20
CHECKED BY: LST
DRAWN BY: JWK
PROTO CYCLE:

FOUNDATION DETAILS

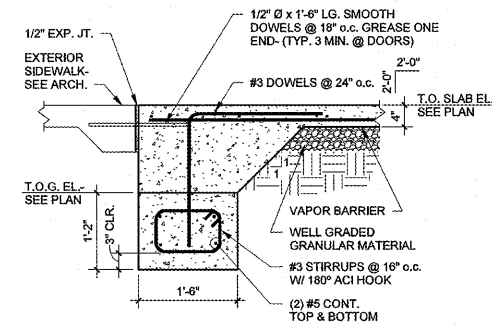
SHEET: **S3.0**

WWW.LDILine.com

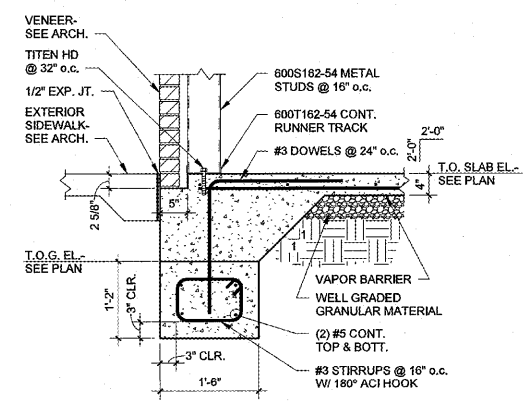
Order Plans @



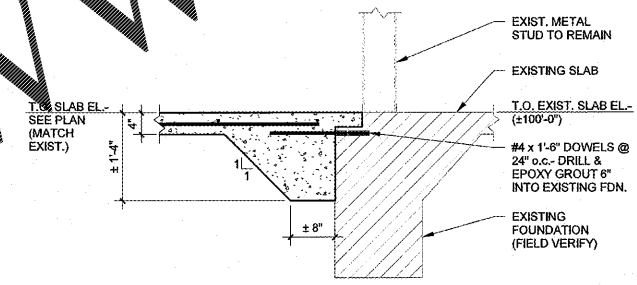
4 SECTION
3/4" = 1'-0"



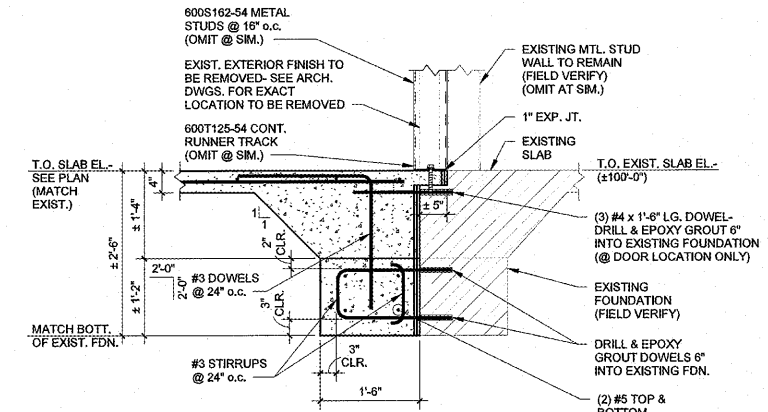
3 SECTION
3/4" = 1'-0"



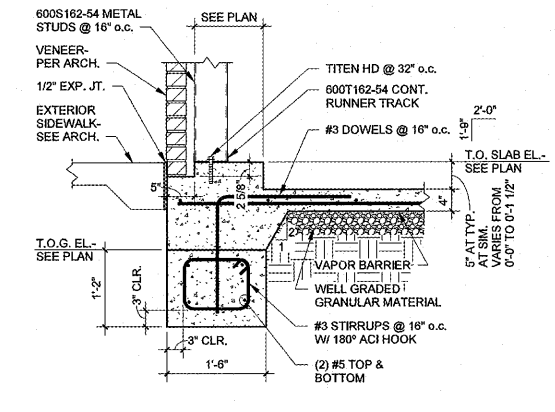
2 SECTION
3/4" = 1'-0"



6 SECTION
3/4" = 1'-0"



5 SECTION
3/4" = 1'-0"



1 SECTION
3/4" = 1'-0"