

STIPULATION FOR REUSE
THIS DRAWING WAS PREPARED FOR THE PROJECT AND SITE SPECIFICALLY FOR THE PROJECT. IT IS NOT TO BE REUSED FOR ANY OTHER PROJECT OR FOR ANY OTHER PURPOSE WITHOUT THE WRITTEN PERMISSION OF HARRISON FRENCH & ASSOCIATES, LTD. ANY REUSE OF THIS DRAWING FOR ANY OTHER PROJECT OR FOR ANY OTHER PURPOSE WITHOUT THE WRITTEN PERMISSION OF HARRISON FRENCH & ASSOCIATES, LTD. IS PROHIBITED AND MAY BE CAUSE FOR LEGAL ACTION.

1911 HWY 34 W
DILLON, SC 29536
FRESH KITCHEN LITE REMODEL/
SHOWER & LAUNDRY ADDITION/
FREEZER, COOLER & STORAGE
ADDITION
PROJECT NUMBER: 03-18-10371

Love's
Travel Stop &
Country Stores

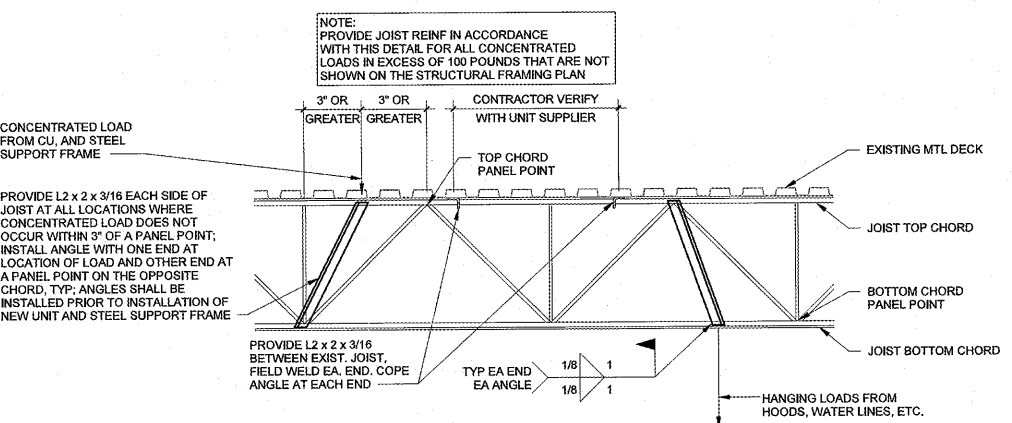
HARRISON FRENCH & ASSOCIATES, LTD
No. C03060
SOUTH CAROLINA
Professional Engineer
No. 29635
LUNGSHEN TSAO

ISSUE BLOCK

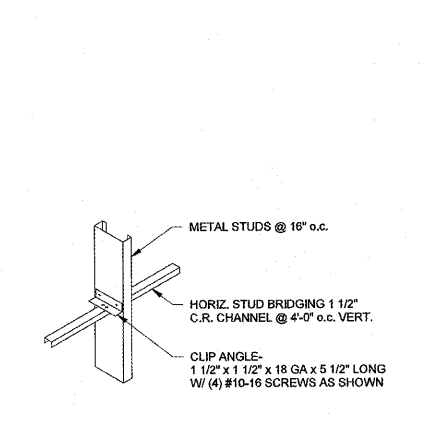
STORE NO. 371
DOCUMENT DATE: 01/03/20
CHECKED BY: LST
DRAWN BY: JWK
PROTO CYCLE:

PARTIAL ROOF FRAMING PLANS & ROOF DETAILS

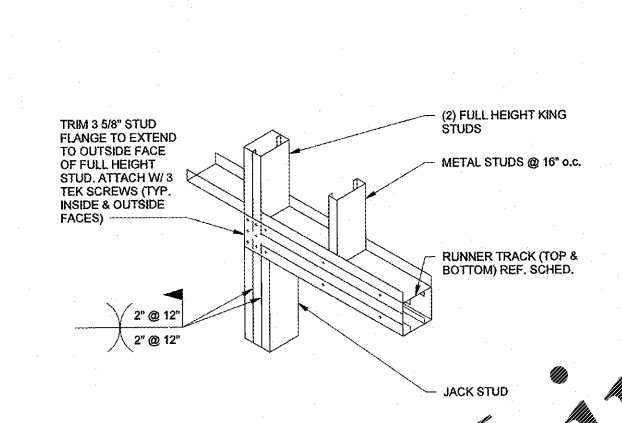
SHEET: **S2.0**



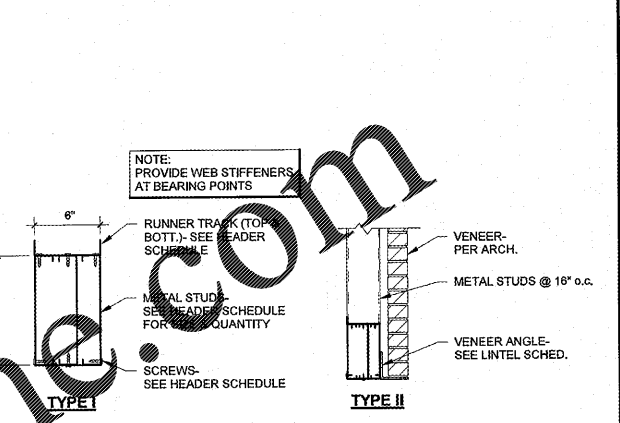
6 JOIST REINFORCING AT CONCENTRATED LOADS
N.T.S.



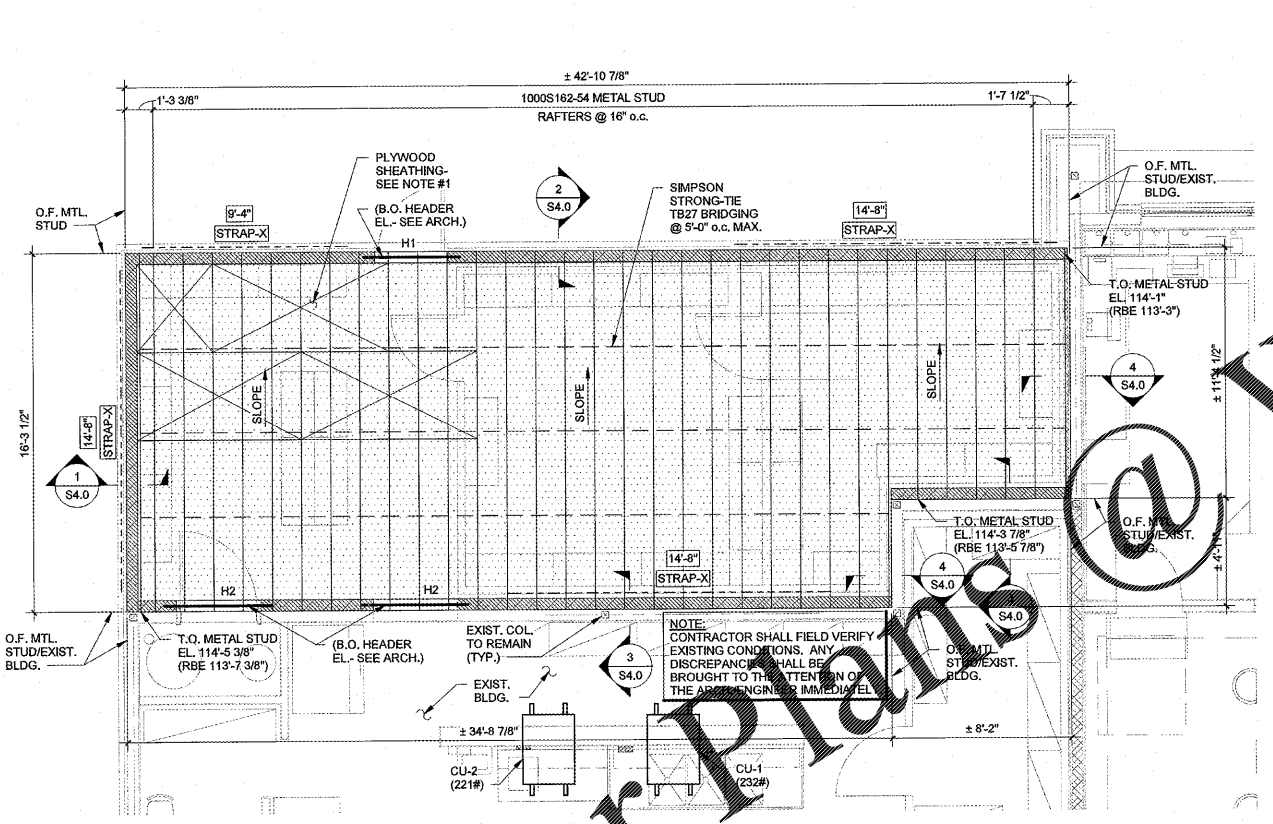
5 STUD BRIDGING DETAIL
3/4\"/>



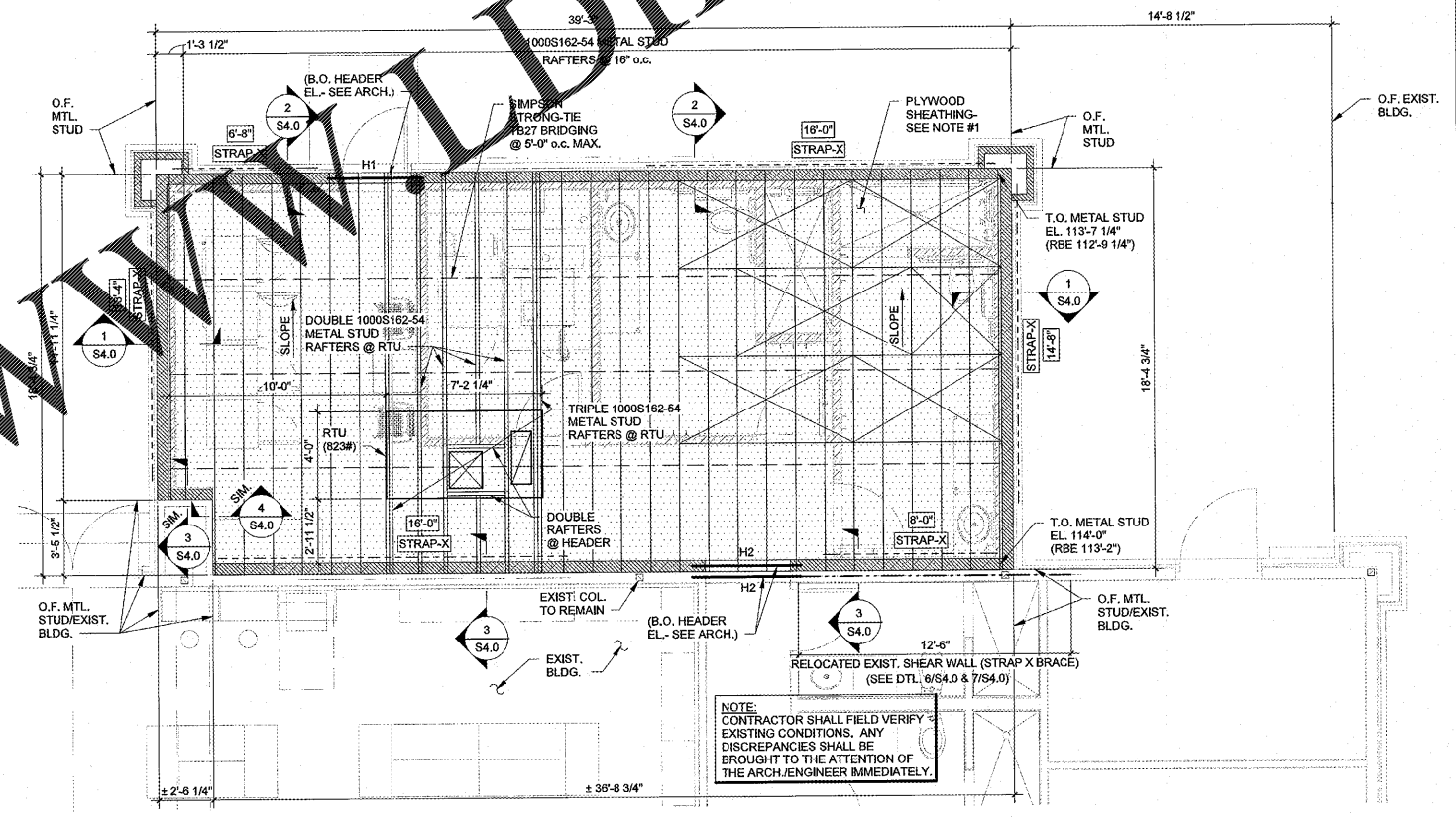
4 STUD HEADER
3/4\"/>



3 HEADER DETAILS
3/4\"/>



2 PARTIAL ROOF FRAMING PLAN (COOLER/FREEZER ADDITION)
1/4\"/>



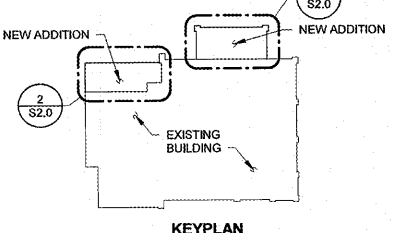
1 PARTIAL ROOF FRAMING PLAN (SHOWER ADDITION)
1/4\"/>

HEADER SCHEDULE					
HEADER MARK	WALL LOCATION	TYPE & SIZE THICKNESS X HEIGHT	BRICK ANGLE	ATTACHMENT	REMARKS
H1	6\"/>				

HEADER SCHEDULE NOTES:
1. SEE ARCH. DWGS. FOR EXACT LOCATION OF ALL LINTELS.
2. PROVIDE A MIN. OF (2) KING STUDS & (1) JACK STUD @ JAMBS FOR ALL METAL STUD BOX HEADERS.
3. BRICK ANGLES SHALL HAVE A 6\"/>

LEGEND (BOTH PLANS):
O.F. DENOTES OUTSIDE FACE
SLOPE DENOTES LIMITS OF 5/8\"/>

PLAN NOTES (BOTH PLANS):
1. ROOF SHEATHING: 5/8\"/>



Order Plans @ WWW.DIline.com