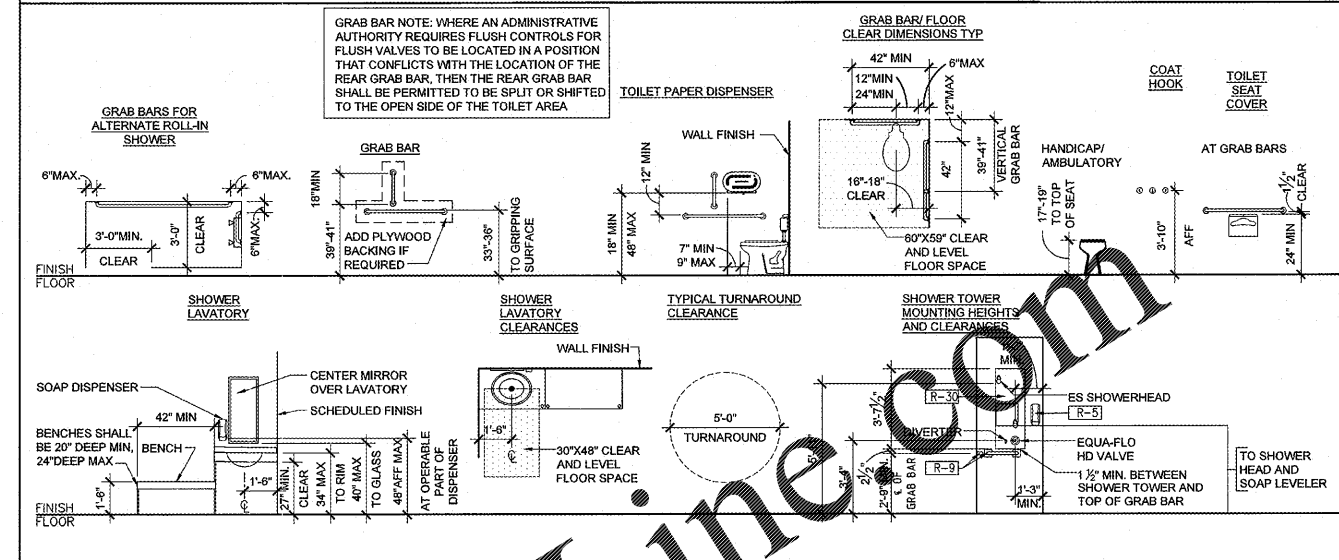


FIXTURE HEIGHTS AND CLEARANCES

COMPLY WITH THIS CHART, ANSI A117.1, AND ADA STANDARDS FOR ACCESSIBLE DESIGN



HFA
 Creative Solutions
 Meaningful Places
HARRISON FRENCH & ASSOCIATES
 ARCHITECTS & ENGINEERS
 1705 S. Walton Blvd., Suite 3
 Bentonville, Arkansas 72712
 P: 479.273.7780
 F: 888.520.9685
 www.hfa-ac.com

STIPULATION FOR REUSE:
 THIS DOCUMENT WAS PREPARED FOR THE CLIENT'S USE ONLY. IT IS NOT TO BE REPRODUCED, COPIED, OR TRANSMITTED IN ANY FORM OR BY ANY MEANS, ELECTRONIC OR MECHANICAL, INCLUDING PHOTOCOPYING, RECORDING, OR BY ANY INFORMATION STORAGE AND RETRIEVAL SYSTEM, WITHOUT THE WRITTEN PERMISSION OF HARRISON FRENCH & ASSOCIATES, ARCHITECTS & ENGINEERS.

1911 HWY 34 W
 DILLON, SC 29536
 FRESH KITCHEN LITE REMODEL
 SHOWER & LAUNDRY ADDITION/
 FREEZER, COOLER & STORAGE
 ADDITION
 PROJECT NUMBER: 03-18-10371

Love's
 Travel Stop &
 Country Stores

STATE OF SOUTH CAROLINA
 HARRISON FRENCH & ASSOCIATES, LTD.
 Bentonville, AR
 No. 100165
 REGISTERED ARCHITECTS

STATE OF SOUTH CAROLINA
 JAMI MARIE COOK
 Bentonville, AR
 No. 5939
 REGISTERED ARCHITECT
 JAN 02 2020

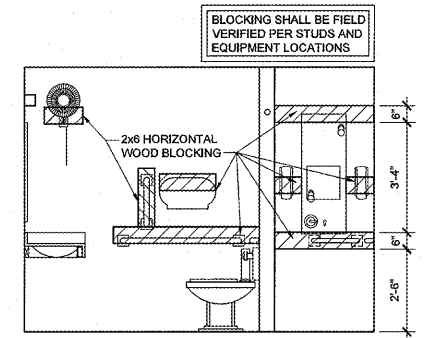
ISSUE BLOCK

| | |
|--|--|
| | |
| | |
| | |
| | |
| | |

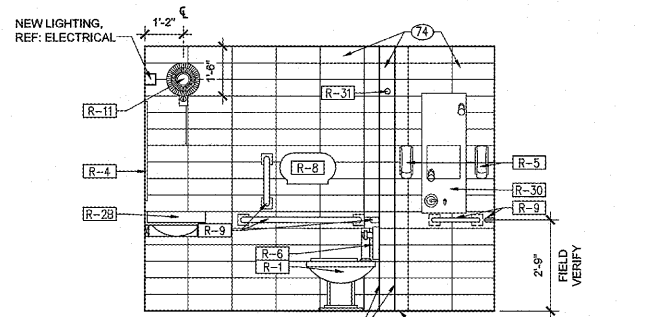
STORE NO. 371
 DOCUMENT DATE: 01/03/20
 CHECKED BY: RAF
 DRAWN BY: NJME
 PROTO CYCLE:

INTERIOR ELEVATIONS

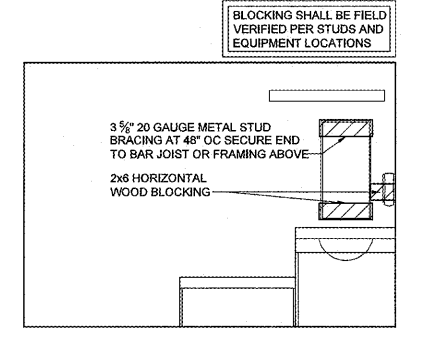
SHEET: **A5**



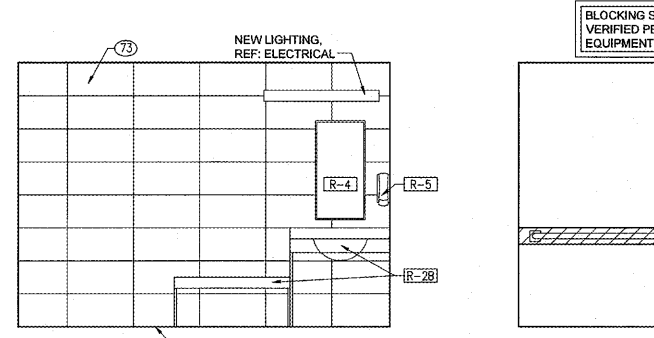
15 SHOWER BLOCKING ELEVATION
 SCALE: 3/8" = 1'-0"



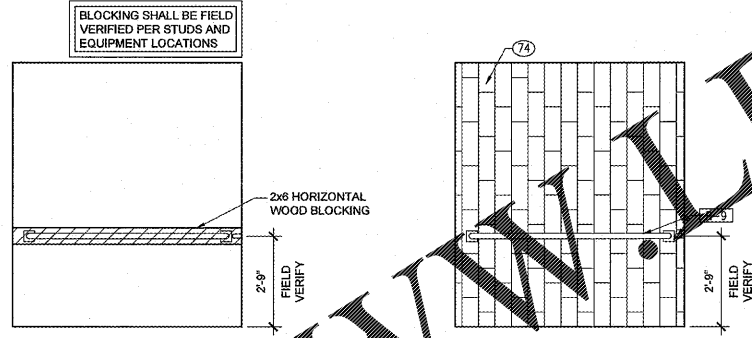
14 SHOWER ELEVATION
 SCALE: 3/8" = 1'-0"



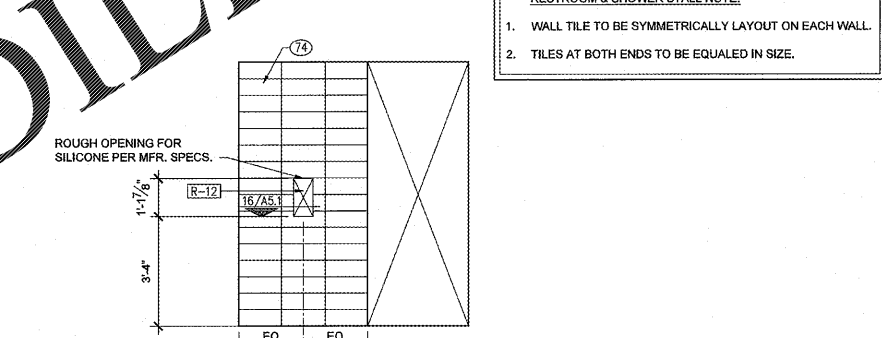
13 SHOWER BLOCKING ELEVATION
 SCALE: 3/8" = 1'-0"



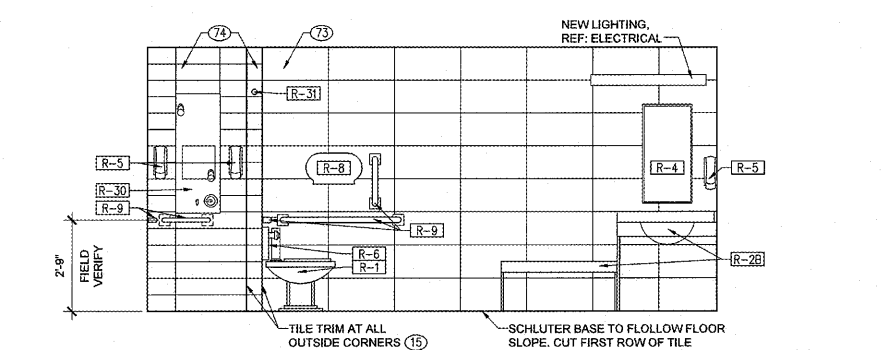
12 SHOWER ELEVATION
 SCALE: 3/8" = 1'-0"



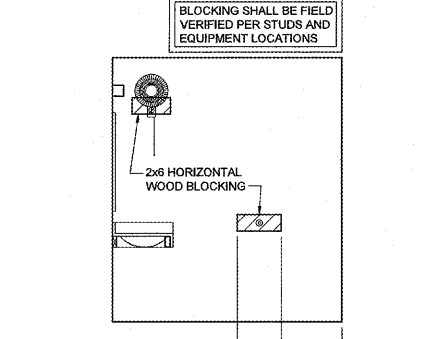
11 SHOWER BLOCKING ELEVATION
 SCALE: 3/8" = 1'-0"



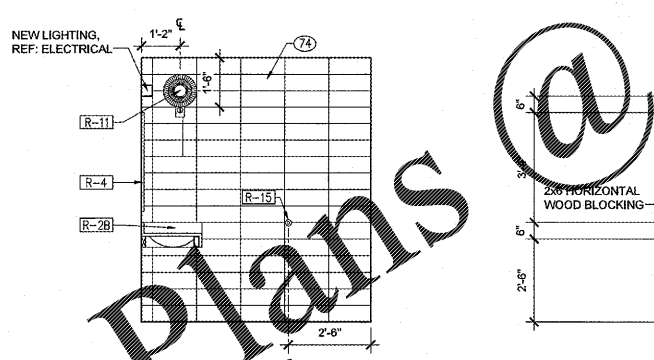
10 SHOWER ELEVATION
 SCALE: 3/8" = 1'-0"



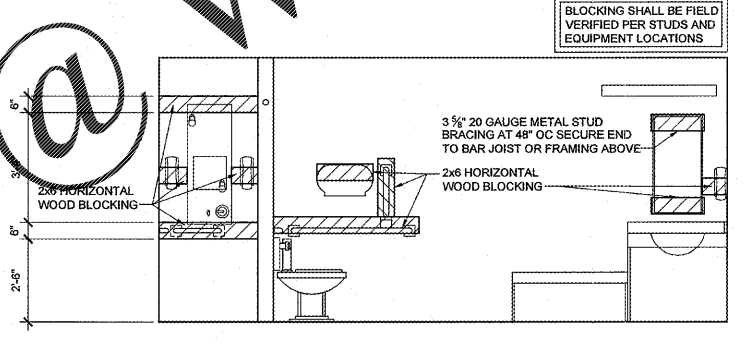
9 SHOWER ELEVATION
 SCALE: 3/8" = 1'-0"



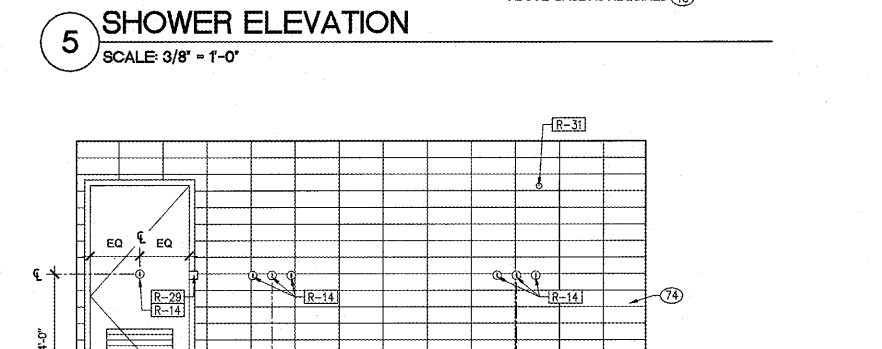
8 SHOWER BLOCKING ELEVATION
 SCALE: 3/8" = 1'-0"



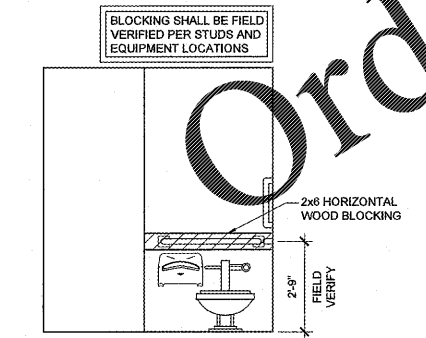
7 SHOWER ELEVATION
 SCALE: 3/8" = 1'-0"



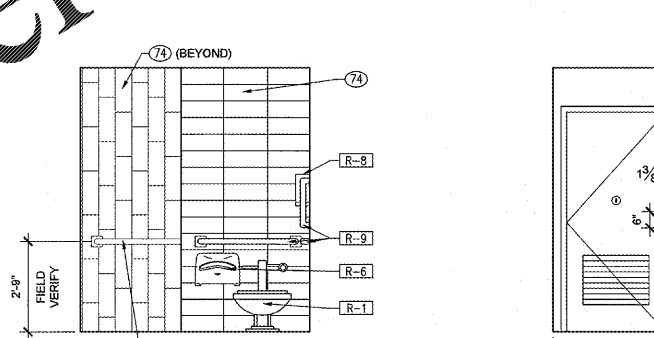
6 SHOWER BLOCKING ELEVATION
 SCALE: 3/8" = 1'-0"



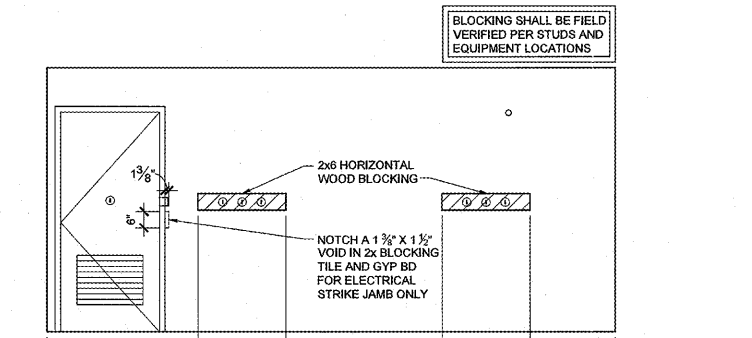
5 SHOWER ELEVATION
 SCALE: 3/8" = 1'-0"



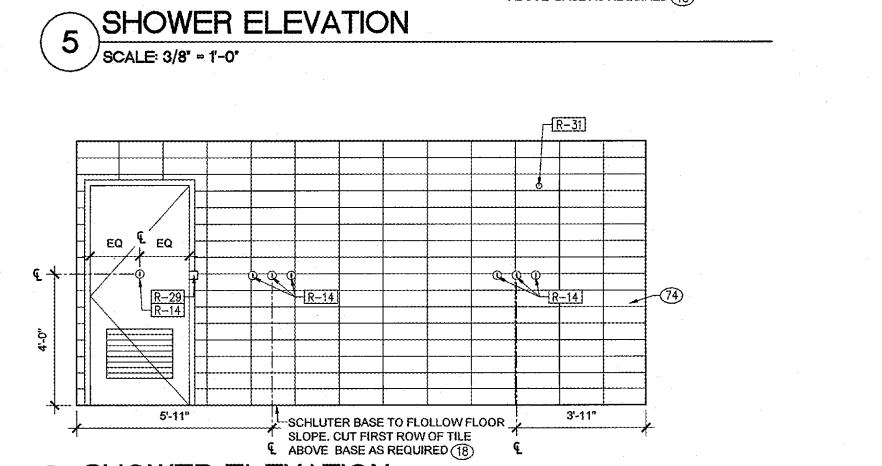
4 SHOWER BLOCKING ELEVATION
 SCALE: 3/8" = 1'-0"



3 SHOWER ELEVATION
 SCALE: 3/8" = 1'-0"



2 SHOWER BLOCKING ELEVATION
 SCALE: 3/8" = 1'-0"



1 SHOWER ELEVATION
 SCALE: 3/8" = 1'-0"

Order Plans

J:\02\2020\226pm - User\richo\eggers L:\03\03-18-10371_Loves - Dillon, SC\371\CONDO\SC\Arch\Interior\145 AS INTERIOR ELEVATIONS.dwg