

STIPULATION FOR REUSE
THIS DRAWING AND ANY INFORMATION CONTAINED HEREIN IS THE PROPERTY OF HARRISON FRENCH & ASSOCIATES, LTD. IT IS TO BE USED ONLY FOR THE PROJECT AND SITE SPECIFICALLY IDENTIFIED HEREIN. ANY REUSE OF THIS DRAWING FOR ANY OTHER PROJECT WITHOUT THE WRITTEN CONSENT OF HARRISON FRENCH & ASSOCIATES, LTD. IS STRICTLY PROHIBITED. ANY REUSE OF THIS DRAWING FOR ANY OTHER PROJECT WITHOUT THE WRITTEN CONSENT OF HARRISON FRENCH & ASSOCIATES, LTD. IS STRICTLY PROHIBITED.

1911 HWY 34 W
DILLON, SC 29536
FRESH KITCHEN LITE REMODEL/
SHOWER & LAUNDRY ADDITION/
FRESH COOLER & STORAGE
ADDITION
PROJECT NUMBER: 03-16-10371

Loves
Travel Stop &
Country Stores

STATE OF SOUTH CAROLINA
HARRISON FRENCH & ASSOCIATES, LTD.
Bentonville, AR
No. 105143
REGISTERED ARCHITECTS

STATE OF SOUTH CAROLINA
JAMI MARIE COOK
Bentonville, AR
No. 5939
REGISTERED ARCHITECT

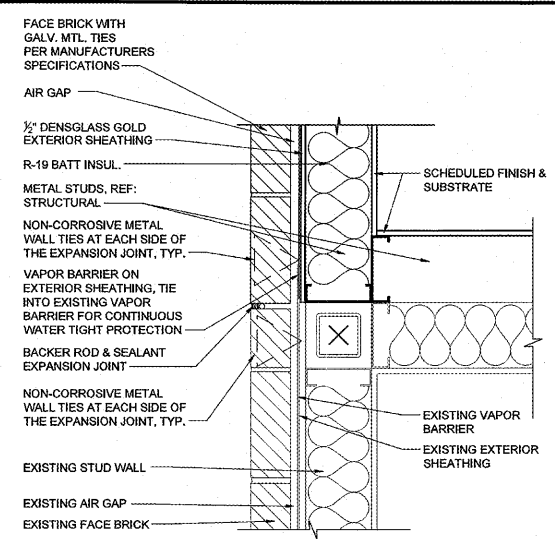
JAN 02 2020

ISSUE BLOCK

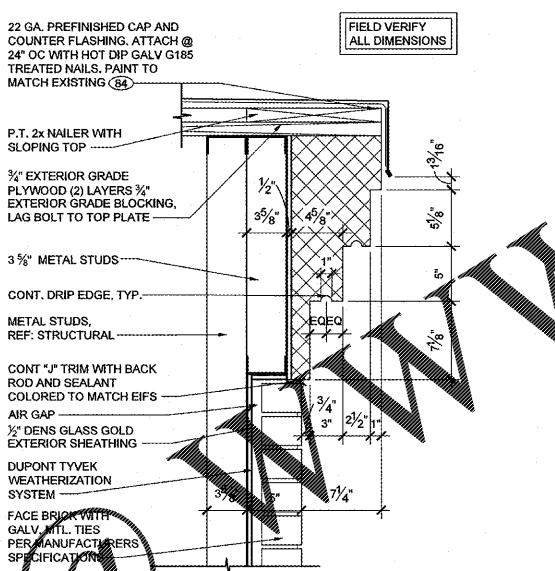
STORE NO. 371
DOCUMENT DATE: 01/03/20
CHECKED BY: RAF
DRAWN BY: NJME
PROTO CYCLE:

WALL SECTIONS & DETAILS

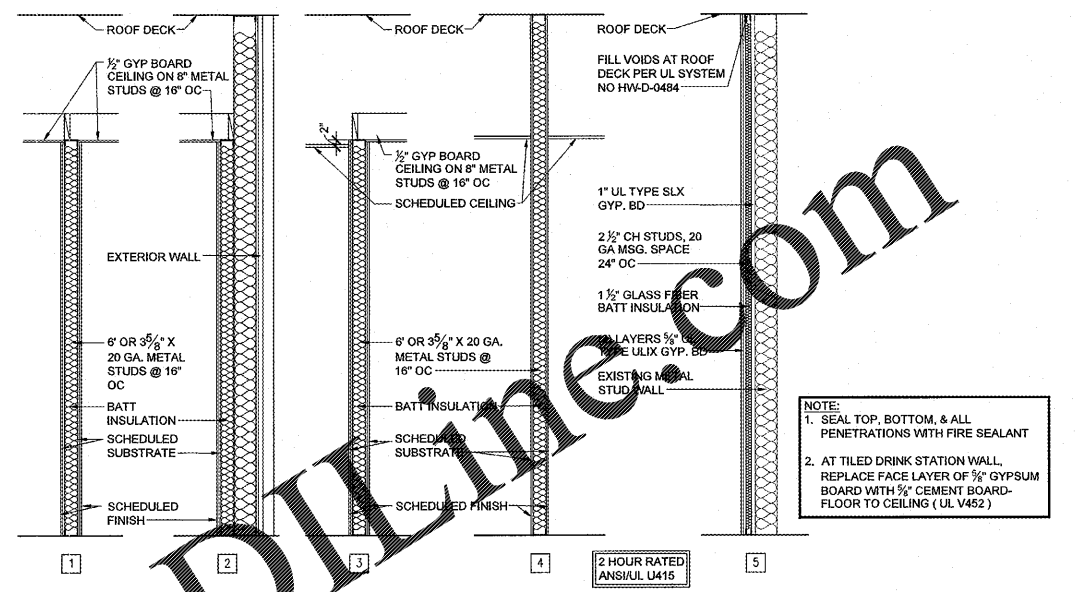
SHEET: **A4.1**



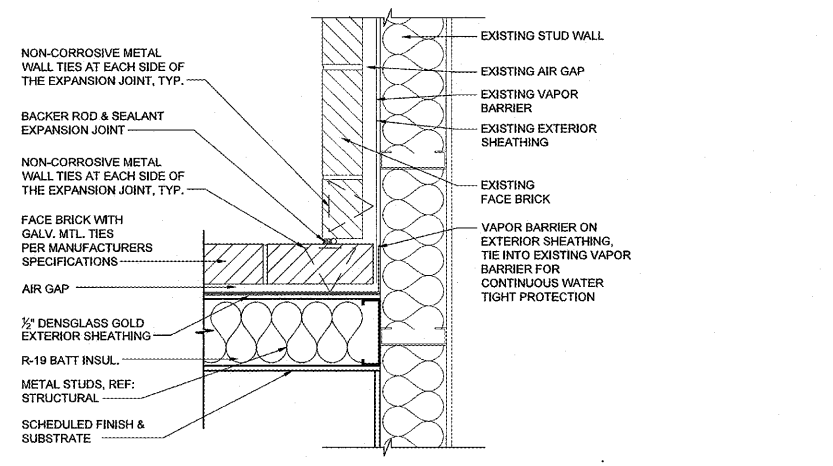
8 EXPANSION JOINT DETAIL - PLAN
SCALE: 1 1/2" = 1'-0"



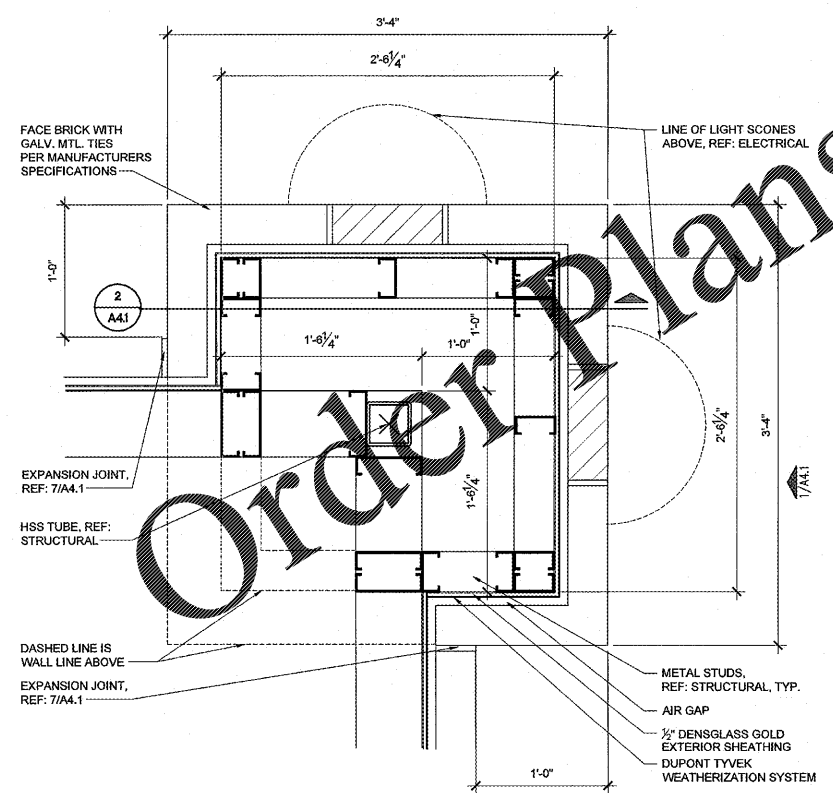
6 PLASTER DETAIL
SCALE: 1 1/2" = 1'-0"



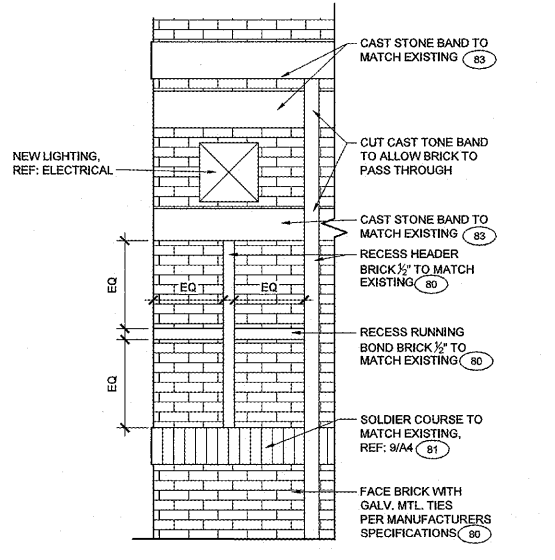
5 PARTITION TYPES
SCALE: 1/2" = 1'-0"



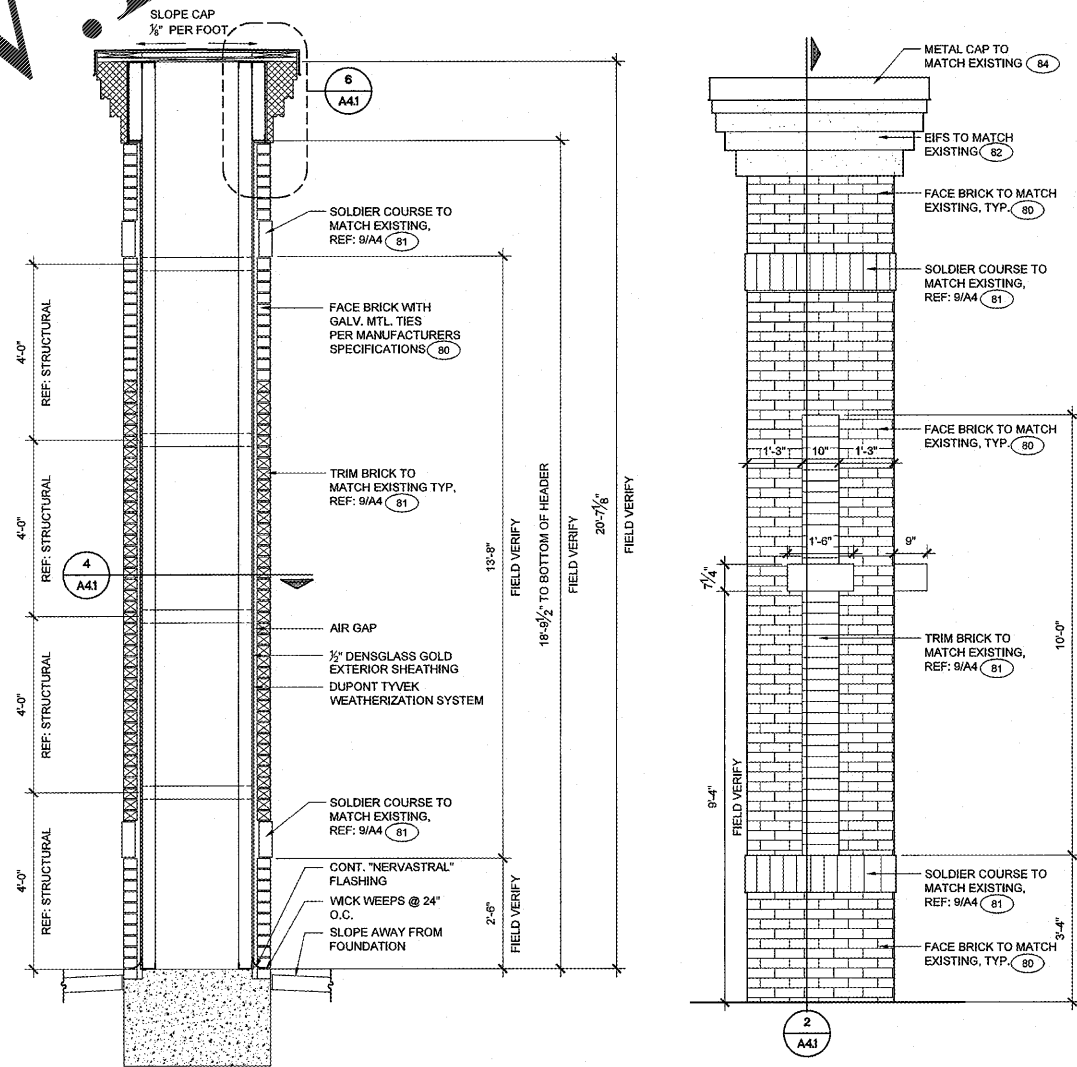
7 EXPANSION JOINT DETAIL - PLAN
SCALE: 1 1/2" = 1'-0"



4 PILASTER PLAN
SCALE: 1 1/2" = 1'-0"



3 PILASTER ELEVATION
SCALE: 1/2" = 1'-0"



2 PILASTER SECTION
SCALE: 1/2" = 1'-0"

1 PILASTER ELEVATION
SCALE: 1/2" = 1'-0"

Jan02,2020-2:24pm - User: nicks.aparis
L:\0103-15-10071-Loves - Dillon, SC\71\CONDOCS\Architectural\141 A4.1 WALL SECTIONS & DETAILS.dwg

Order Plans