

STIPULATION FOR REUSE  
 THIS DRAWING IS PROVIDED FOR THE USE OF THE CLIENT AND IS NOT TO BE REPRODUCED OR TRANSMITTED IN ANY FORM OR BY ANY MEANS, ELECTRONIC OR MECHANICAL, INCLUDING PHOTOCOPYING, RECORDING, OR BY ANY INFORMATION STORAGE AND RETRIEVAL SYSTEM, WITHOUT THE WRITTEN PERMISSION OF HARRISON FRENCH & ASSOCIATES, ARCHITECTS & ENGINEERS. ANY REUSE OF THIS DRAWING WITHOUT THE WRITTEN PERMISSION OF HARRISON FRENCH & ASSOCIATES, ARCHITECTS & ENGINEERS, IS STRICTLY PROHIBITED.

1911 HWY 34 W  
 DILLON, SC 29536

FRESH KITCHEN LITE REMODEL/  
 SHOWER & LAUNDRY ADDITION/  
 FREEZER, COOLER & STORAGE  
 ADDITION

PROJECT NUMBER: 03-18-10371

**Loves**  
 Travel Stop &  
 Country Stores

STATE OF SOUTH CAROLINA  
 HARRISON FRENCH & ASSOCIATES, LTD.  
 Bentonville, AR  
 No. 190143  
 REGISTERED ARCHITECTS

STATE OF SOUTH CAROLINA  
 JAMI MARIE COOK  
 Bentonville, AR  
 No. 5938  
 REGISTERED ARCHITECT

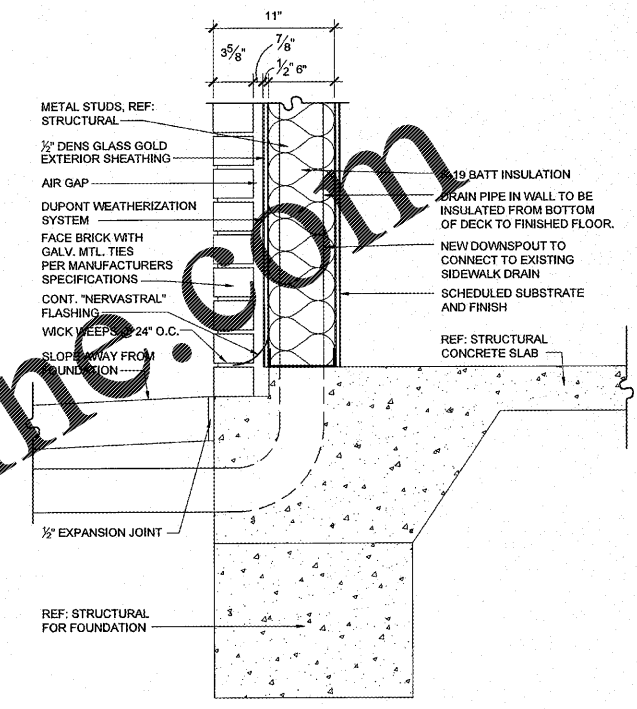
JAN 02 2020

ISSUE BLOCK

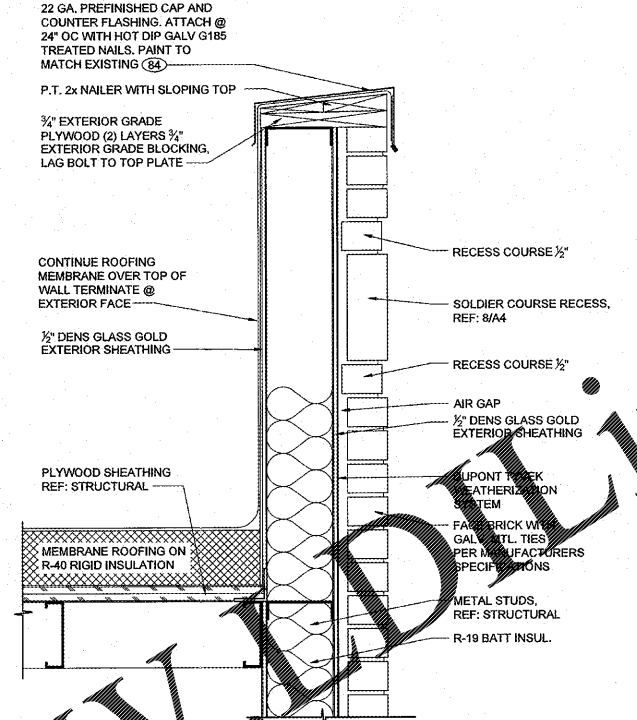

STORE NO.	371
DOCUMENT DATE	01/03/20
CHECKED BY:	RAF
DRAWN BY:	NJME
PROTO CYCLE:	

WALL SECTIONS & DETAILS

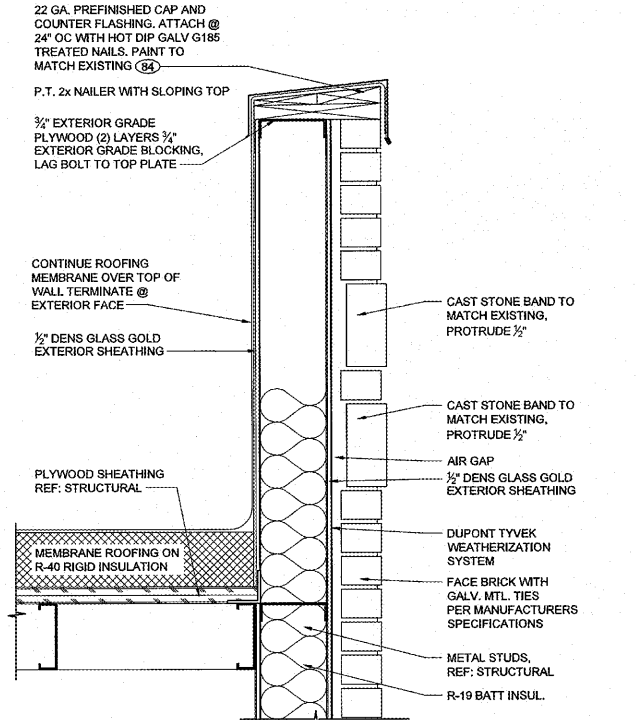
SHEET: **A4**



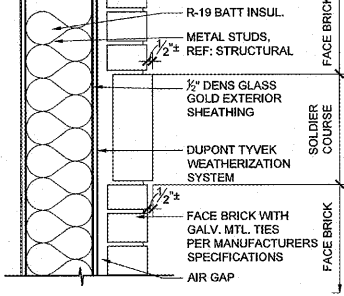
**5 WALL SECTION**  
 SCALE: 1/2" = 1'-0"



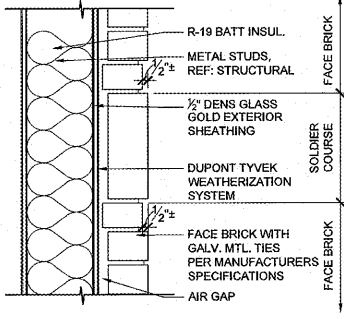
**6 PARAPET DETAIL**  
 SCALE: 1/2" = 1'-0"



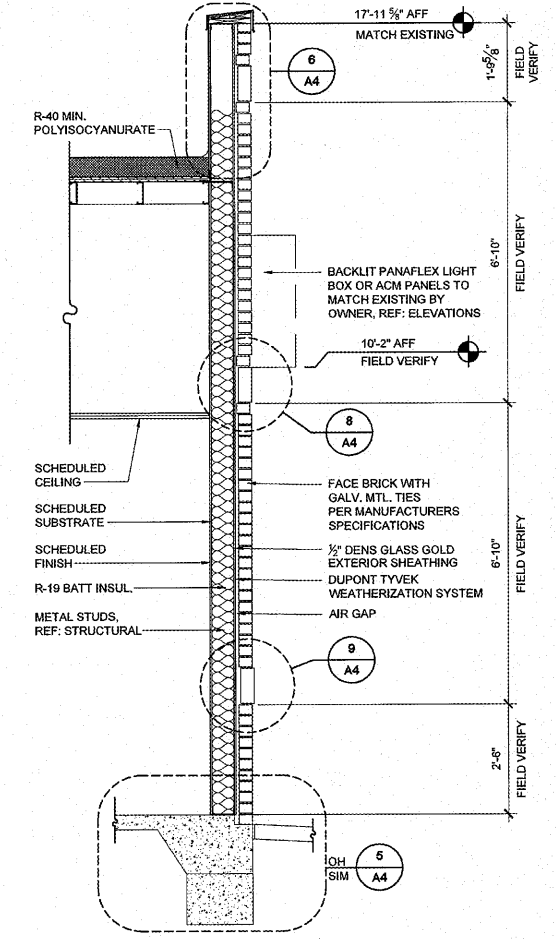
**7 PARAPET DETAIL**  
 SCALE: 1 1/2" = 1'-0"



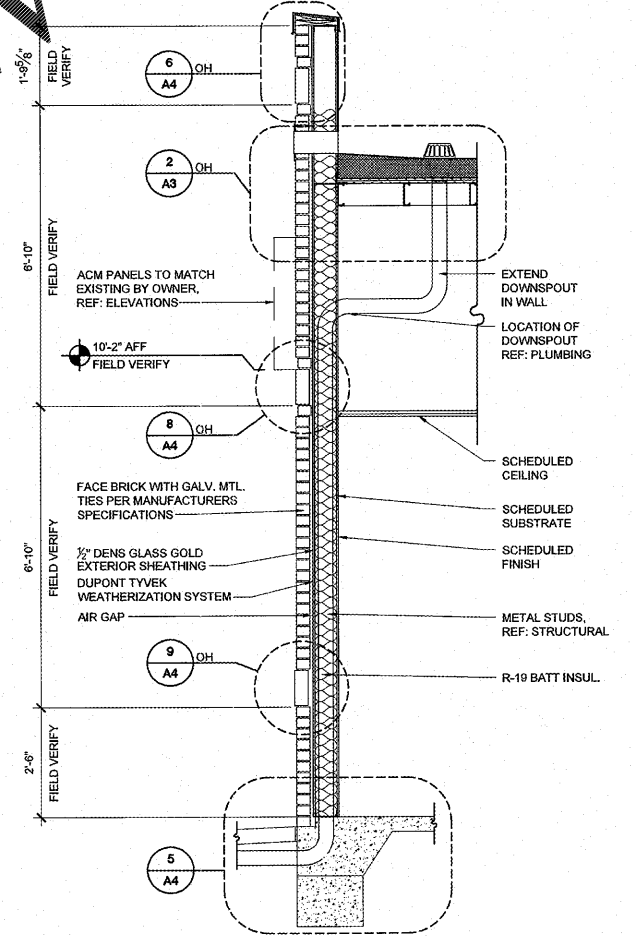
**9 BRICK DETAIL**  
 SCALE: 1 1/2" = 1'-0"



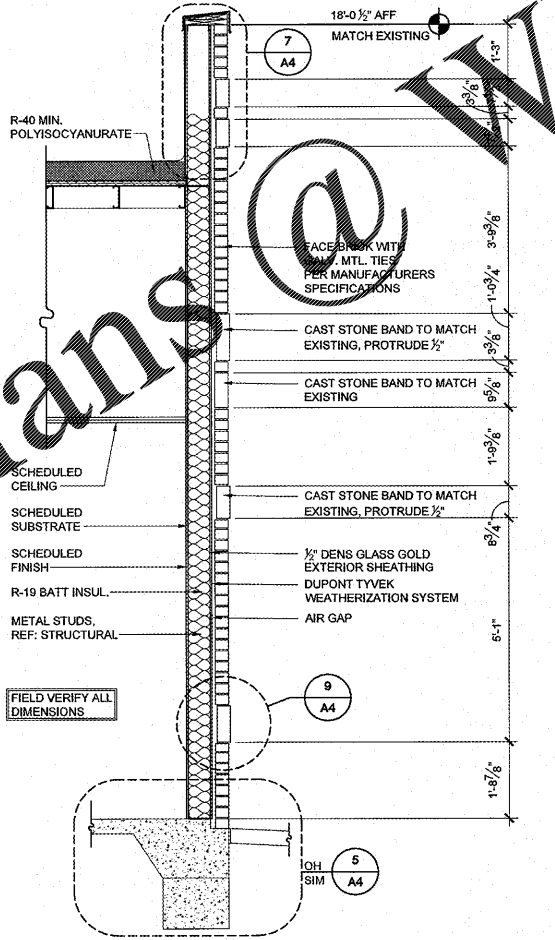
**8 BRICK DETAIL**  
 SCALE: 1 1/2" = 1'-0"



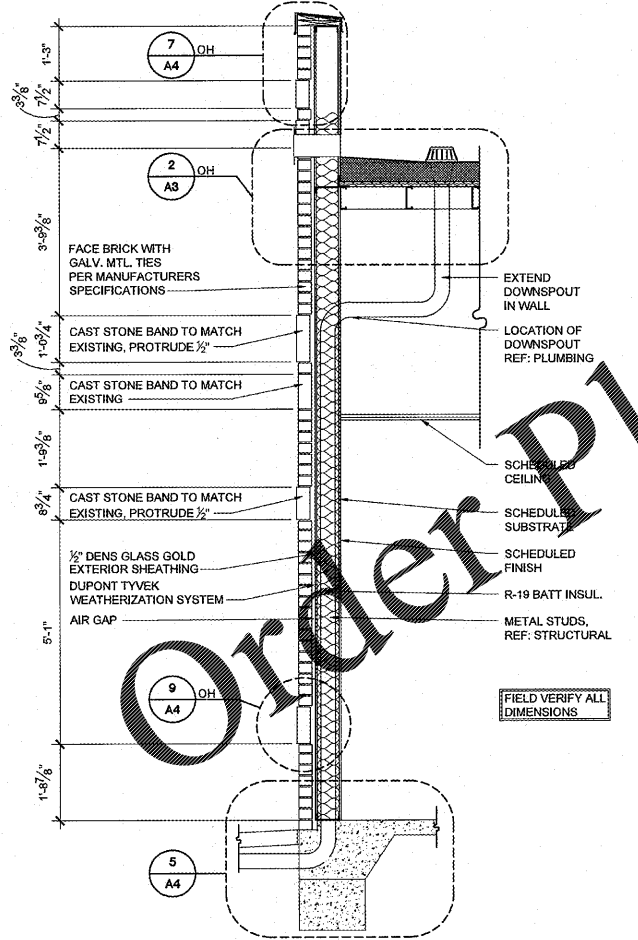
**1 WALL SECTION**  
 SCALE: 1/2" = 1'-0"



**2 WALL SECTION**  
 SCALE: 1/2" = 1'-0"



**3 WALL SECTION**  
 SCALE: 1/2" = 1'-0"



**4 WALL SECTION**  
 SCALE: 1/2" = 1'-0"

4/10/20 2:05:22pm - User: njme.dwg  
 L:\0305-18-10371 Loves - Dillon, SC 3710CNCOS\Architecture\140 A4 WALL SECTIONS & DETAILS.dwg