

### KITCHEN EQUIPMENT

ITEM	DESCRIPTION	QTY	MODEL	SUPPLIED BY	INSTALLED BY	REMARKS
K-7D	SHELVING UNIT	5	FFI STOCKMASTER (18x36)	OWNER	OWNER	
K-7E	SHELVING UNIT	23	FFI STOCKMASTER (18x48)	OWNER	OWNER	
K-13A	POST MIX AND ICE (SALES FLOOR)	2	IDC-PRO WITH DRIP TRAY (821058856)	OWNER	OWNER	
K-20	MICROWAVE	2	MARKET SOURCE PANASONIC NE-1054F	OWNER	OWNER	
K-21	WARMING DRAWER	2	VULCAN VW1S	OWNER	OWNER	
K-22	COFFEE BREWER	2	WILBUR CURTIS GEMINI G4 INTELLIFRESH GAGEMTIF - DUAL SATELLITE	OWNER	G.C.	
K-22A	BEAN TO CUP	2	SCHAERER COFFEE ART C HC TOUCH	OWNER	G.C.	PROVIDE 3/8" SHUT-OFF
K-23	COFFEE CREAMER DISPENSER	2	EIEIO C-250	OWNER	G.C.	
K-25	HOT DOG GRILL	3	RUFF RIDER RR48X	OWNER	G.C.	
K-27	UNDER COUNTER FREEZER	1	TRUE FOOD SERVICE EQUIPMENT TUC-27F	OWNER	G.C.	
K-30	REFRIGERATOR	1	EVEREST ESWR2			
K-30A	FREEZER	1	EVEREST ESWF2			
K-44	HAND SINK	1	PER OWNER	OWNER	G.C.	
K-45	HAND SINK	1	EAGLE GROUP #HSA-10-F-LRS	OWNER	G.C.	
K-46	3-COMPARTMENT STAINLESS SINK	1	BKS-3-15-14-15I	OWNER	G.C.	
K-46A	SOAP DISPENSERS, SANITIZER DISPENSER, PREP SINK	1	TO BE SOURCED	OWNER	G.C.	
K-54D	STAINLESS STEEL PREP TABLE	1	EAGLE 6'-0" MODEL T3072EB-BS	OWNER	G.C.	
K-60	POP-CUP DISPENSER	1	SAN JAMAR EZ-FIT 1078	MILLWORK CTR	MILLWORK CTR	
K-75	CUP AND LID DISPENSER	1	WESTERN PLASTICS 2844	MILLWORK CTR	MILLWORK CTR	
K-76	CHILI/CHEESE DISPENSER	1	GEHL'S DUAL DISPENSER	OWNER	G.C.	
K-80	COFFEE CONDIMENT ORGANIZER	2		MILLWORK CTR	MILLWORK CTR	36"L X 24"W X 34" H, 5 SHELVES; GREEN EPOXY
K-81	WORK TOP REFRIGERATOR	1	CONTINENTAL REFRIGERATOR CRA43-U 43"W x 37" d=D	OWNER	G.C.	
K-82	MULTI-COOK OVEN	1	ALTO-SHAAM - VECTOR H SERIES VMC-H4 21"Vx37"D	OWNER	G.C.	
K-84	HOT FOOD MERCHANDISER	2	COMBO SERVE (HFDC) 35.3"x19.7" VENDO-SADEN HFDC00003	OWNER	G.C.	
K-95	POST MIX ICE MAKER	2	HOSHIZAK F-2001MRJ-C	OWNER	OWNER	
K-96	3-COMP SMARTWALL SYSTEM	1	INTER METRO SW40K3 (4) 1436 SHELVES	OWNER	G.C.	
K-97	REFRIGERATED CONDIMENT UNIT	1	MODEL CHN69	OWNER	G.C.	

### MISCELLANEOUS EQUIPMENT

ITEM	DESCRIPTION	QTY	MODEL	SUPPLIED BY	INSTALLED BY	REMARKS
M-1	COMMERCIAL STACK DRYER	2	QUANTUM SPEED QUEEN	OWNER	G.C.	VERIFY ALL MODEL #S W/ OWNER (DRYER, COINCARD BOX) IN TRUCKER'S LAUNDRY
M-1A	COMMERCIAL FRONT LOAD WASHER	2	QUANTUM SPEED QUEEN	OWNER	G.C.	VERIFY ALL MODEL #S W/ OWNER (DRYER, COINCARD BOX) IN TRUCKER'S LAUNDRY
M-2	WASHER FULL SIZE (RELOCATED)	1	WASHER - UNIMAC UCN030HNF	OWNER	G.C.	
M-2A	DRYER FULL SIZE (RELOCATED)	1	DRYER - UT055L UT055N	OWNER	G.C.	
M-13	INTERIOR FIRE EXTINGUISHER	1	10 LBS ABC WITH WALL MOUNTED BRACKETS - AAIOS	OWNER	G.C.	
M-56	TABLE	1		OWNER	G.C.	
M-57	CHAIR	2		OWNER	G.C.	

### SHOWER EQUIPMENT SCHEDULE

ITEM	DESCRIPTION	QTY	MODEL	SUPPLIED BY	INSTALLED BY	REMARKS
R-1	ADA FLOOR MOUNT TOILET	2	PER OWNER	OWNER	G.C.	
R-2B	SHOWER VANITY TOPS/SHOWER SEATS	2	SOLID SURFACE TOP SPLASH (75) FRONT FACE (75)			FAUCET, HOOK-UP BY PLUMBER
R-3	PAPER TOWEL DISPENSER	2	SAN JAMAR OCEANS - TEAR MOUNT - T1390	OWNER	G.C.	MOUNT BOTTOM OF DISPENSER PER ELEVATIONS. RE: ELECTRICAL.
R-4	1/2" PLATE MIRROR (18" x 36")	2	78010620	OWNER	G.C.	BOTTOM AT +40" A.F.F. MAX
R-5	SOAP DISPENSERS	3	GRUPO INDUSTRIES - ADX12	OWNER	G.C.	POSITION DISPENSER TIGHT TO "R-4" TYPICAL IN RESTROOMS TOP 44" A.F.F. MAX. AT HC STALLS
R-6	SEAT COVER DISPENSER	2	AVONITE PRODUCTS LLC. - #1120	OWNER	G.C.	
R-8	TOILET PAPER DISPENSER		R4000TBK	OWNER	G.C.	MOUNT BOTTOM OF DISPENSER AT +42" A.F.F. AT ALL STANDARD STALLS MOUNT BOTTOM OF DISPENSER AT +12" ABOVE HORIZONTAL GRAB BARS IN ALL HC STALLS AND SHOWER ROOMS
R-11	GRAB BARS	10	ASI 3101- 18", 30", 36", 42", 62"	OWNER	G.C.	
R-11	AIR CIRCULATION FAN	2	GRAINGER - AIR KING MODEL 4C630 WALL MOUNTED FAN	OWNER	G.C.	MOUNT PER ELEVATIONS
R-12	RECESSED SHOWER SHELF	2	AVONITE SURFACES RSH815	G.C.	TILE CTR	COLOR: SANDSTORM F1-8036 CONTACT METRO SURFACES
R-14	COAT HOOK	14	ASI 7340	OWNER	G.C.	
R-15	DOOR STOP W/ KEEPER	2	ASSA ABLOY #476	OWNER	G.C.	
R-20	AIR FRESHENER DISPENSER (NOT SHOWN)	2	TIME-AIR	OWNER	G.C.	
R-29	SECURITY LATCH	2	TBD	OWNER	G.C.	MOUNTED BETWEEN 40"-48"
R-30	SHOWER TOWER	2	BRADLEY - HN250-T24-HD-SB-CMS	OWNER	G.C.	
R-31	ROD, HOOKS & CURTAIN	2	ASI 1214 - 3" CURTAIN ROD 1200-SHU CURTAIN HOOKS 1200-V VINYL SHOWER CURTAIN	OWNER	G.C.	

### SALES EQUIPMENT

ITEM	DESCRIPTION	QTY	MODEL	SUPPLIED BY	INSTALLED BY	REMARKS
S-10	LCD DIGITAL DISPLAY	5		OWNER	G.C.	
S-28	MILLWORK	4	CUSTOM	MILLWORK CTR	G.C.	
S-32A	POSTER GRIP FRAME - INTERIOR	3	ECHO MEDIA	OWNER	G.C.	VERIFY SIZE AND LOCATION WITH OWNER
S-52A	SELF-SERVE OPEN-AIR REFRIGERATOR	1	FEDERAL - IMSS120SC-3	OWNER	G.C.	
S-55	CAPPUCCINO	1	WILBUR CURTIS - G9 PRMO POGT5	OWNER	OWNER	
S-57	ICE TEA BREWER	1	BUNN - INFUSION DUAL DILUTION 3 GALLON #41400.0002	OWNER	G.C.	
S-57B	ICE TEA BREWER DISPENSER	1	BUNN	OWNER	G.C.	
S-58	FROZEN BEVERAGE DISPENSER	1	BUNN - ULTRA-2 HP MANUAL FILL PRODUCT #84000.0080	OWNER	G.C.	

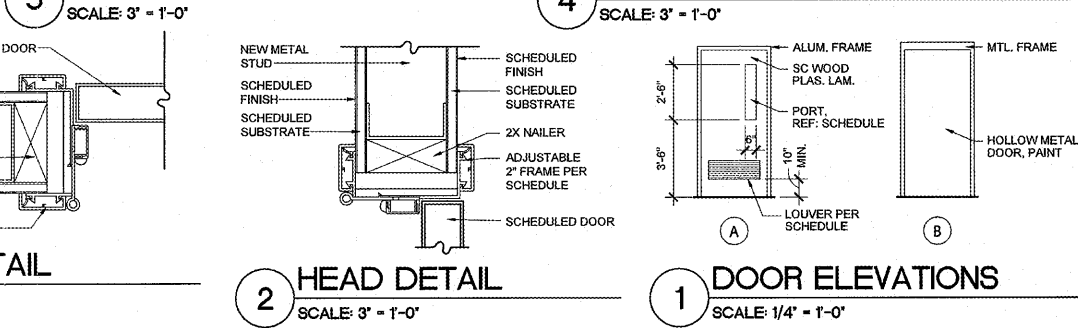
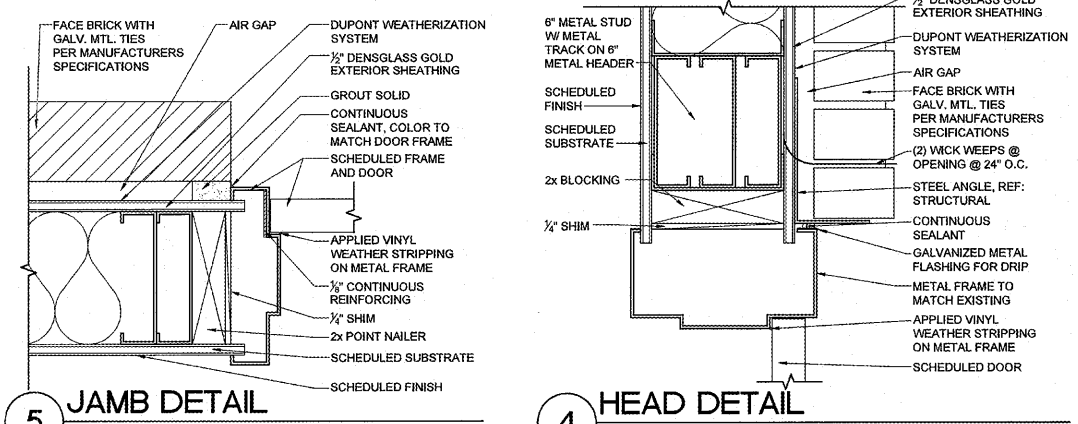
### ROOM FINISH SCHEDULE (VERIFY FINISHES)

MK	DESCRIPTION	FLOOR	BASE REF: 5/A2.1	WALL 1	WALL 2	WALL 3	WALL 4	CEILING	HEIGHT	REMARKS
103	REMODELED DRINK CENTER	ETR	CERAMIC TILE (30) (2)	CERAMIC TILE (30) ON 1/2" GYP BD	OPEN	OPEN	CERAMIC TILE (30) ON 1/2" GYP BD	SUSP. VINYL TILE (62)		
127	NEW HALL/CUSTOMER LAUNDRY	TILE (1)	RUBBER (11) (1)	LAMINATE (51) PAINT (52) ON 1/2" GYP BD	LAMINATE (51) PAINT (52) ON 1/2" GYP BD	LAMINATE (51) PAINT (52) ON 1/2" GYP BD	LAMINATE (51) PAINT (52) ON 1/2" GYP BD	REF.	8'-2"	
128	NEW ACCESSIBLE SHOWER	TILE (1) (2)	REF: INTERIOR ELEVATIONS (2)	1/2" GYP BD REF: INTERIOR ELEVATIONS	1/2" GYP BD REF: INTERIOR ELEVATIONS	1/2" GYP BD REF: INTERIOR ELEVATIONS	1/2" GYP BD REF: INTERIOR ELEVATIONS	REF: 2/A1.1	8'-0"	SOUND BATT INSULATE WALL, REFER TO FINISH PLAN, REFLECTED CEILING PLAN AND SHOWER ELEVATIONS FOR FLOOR, BASE, WALL AND CEILING FINISH.
129	NEW ACCESSIBLE SHOWER	TILE (1) (2)	REF: INTERIOR ELEVATIONS (2)	1/2" GYP BD REF: INTERIOR ELEVATIONS	1/2" GYP BD REF: INTERIOR ELEVATIONS	1/2" GYP BD REF: INTERIOR ELEVATIONS	1/2" GYP BD REF: INTERIOR ELEVATIONS	REF: 2/A1.1	8'-0"	SOUND BATT INSULATE WALL, REFER TO FINISH PLAN, REFLECTED CEILING PLAN AND SHOWER ELEVATIONS FOR FLOOR, BASE, WALL AND CEILING FINISH.
130	NEW LOVES LAUNDRY	EPOXY COATING (6)	RUBBER (11) (1)	1/2" GYP. BD. PAINT ON 1/2" PLYWOOD (66)	1/2" GYP. BD. PAINT ON 1/2" PLYWOOD (66)	1/2" GYP. BD. PAINT ON 1/2" PLYWOOD (66)	1/2" GYP. BD. PAINT ON 1/2" PLYWOOD (66)	NONE		PLYWOOD TO RUN FROM FLOOR TO 9'-0"
131	NEW PREP ROOM	TILE (2)	COVE BASE (12) (2)	FRP ON 1/2" GYP BD (13)	FRP ON 1/2" GYP BD (13)	FRP ON 1/2" GYP BD (13)	FRP ON 1/2" GYP BD (13)	SUSP. VINYL TILE (68)	10'-0"	
132	NEW FREEZER	FACTORY	NONE	FACTORY	FACTORY	FACTORY	FACTORY	FACTORY	8'-10"	COOLER PANELS PROVIDED/ INSTALLED BY BOX MANUFACTURER
133	NEW COOLER	EPOXY COATING (6)	NONE	FACTORY	FACTORY	FACTORY	FACTORY	FACTORY	9'-0"	COOLER PANELS PROVIDED/ INSTALLED BY BOX MANUFACTURER
134	NEW BACKSTOCK	EPOXY COATING (6)	RUBBER (11) (1)	1/2" GYP BD ON 1/2" PLYWOOD (66)	FACTORY	1/2" GYP BD ON 1/2" PLYWOOD (66)	1/2" GYP BD ON 1/2" PLYWOOD (66)	NONE		PLYWOOD TO RUN FROM FLOOR TO 12'-0"

### DOOR FINISH SCHEDULE

MK	TYPE	SIZE	MATERIAL	FINISH	FRAME	FINISH	GLAZING	HEAD	JAMB	THRESHOLD	REMARKS
127A	B	4'-0" X 7'-0"	HM 16 GA	PAINT	METAL	PAINT		4/A2	5/A2	1/A2.1	4" HEAD, PROVIDE PANIC HARDWARE REF: NOTE 1, 3 AND 4
128A	A	3'-0" X 6'-8"	SC WOOD	P. LAM (70)	ALUM.	BRONZE		2/A2	3/A2		REF: NOTE 1 AND 2
130A	A	3'-0" X 6'-8"	SC WOOD	P. LAM (70)	ALUM.	BRONZE	6"X30" PORT	2/A2	3/A2		REF: NOTE 1 AND 2
130B	A	3'-0" X 6'-8"	SC WOOD	P. LAM (22)	ALUM.	BRONZE	6"X30" PORT	2/A2	3/A2		REF: NOTE 1 AND 2
134A	B	3'-0" X 7'-0"	HM 16 GA	PAINT	METAL	PAINT		4/A2	5/A2	1/A2.1	4" HEAD, PROVIDE PANIC HARDWARE REF: NOTE 1, 3 AND 4

NOTE 1. EGRESS DOORS SHALL BE READILY OPENABLE WITH LEVER STYLE HANDLE FROM THE EGRESS SIDE WITHOUT USE OF A KEY OR SPECIAL KNOWLEDGE  
 NOTE 2. "MARLITE" AAA BRONZE IN 400, 500 OR 600 SERIES AS REQUIRED. DOORS TO BE MORTISED FOR SPECIFIED HARDWARE. ROUGH OPENING + 1/2" WIDTH AND HEIGHT ABOVE SLAB.  
 NOTE 3. PROVIDE METAL REINFORCEMENT AT HEAD OF FRAME. DRILL AND TAP FOR CLOSER ATTACHMENT.  
 NOTE 4. FIELD CUT FRAME AND DOOR FOR MAGNETIC DOOR ALARM SWITCH. PAINT DOOR AND FRAME TO MATCH ADJACENT WALLS.



**HFA**  
 Creating Solutions  
 Meaningful Places  
**HARRISON FRENCH & ASSOCIATES**  
 ARCHITECTS & ENGINEERS  
 1705 S. Walton Blvd., Suite 3  
 Bentonville, Arkansas 72712  
 t 479.273.7780  
 f 888.520.9685  
 www.hfa-arc.com

STIPULATION FOR REUSE  
 THIS DRAWING AND ANY INFORMATION CONTAINED HEREIN IS THE PROPERTY OF HARRISON FRENCH & ASSOCIATES, LTD. IT IS TO BE USED ONLY FOR THE PROJECT AND SITE SPECIFICALLY IDENTIFIED HEREON. ANY REUSE OF THIS DRAWING FOR ANY OTHER PROJECT WITHOUT THE WRITTEN CONSENT OF HARRISON FRENCH & ASSOCIATES, LTD. IS STRICTLY PROHIBITED. HARRISON FRENCH & ASSOCIATES, LTD. SHALL NOT BE RESPONSIBLE FOR ANY ERRORS OR OMISSIONS IN THIS DRAWING OR ANY INFORMATION CONTAINED HEREIN.

1911 HWY 34 W  
 DILLON, SC 29536  
**FRESH KITCHEN LITE REMODEL/ SHOWER & LAUNDRY ADDITION/ FREEZER, COOLER & STORAGE ADDITION**  
 PROJECT NUMBER: 03-18-10371

**Loves**  
 Travel Stop & Country Stores

STATE OF SOUTH CAROLINA  
 HARRISON FRENCH & ASSOCIATES, LTD.  
 BENTONVILLE, AR  
 No. 100743  
 REGISTERED ARCHITECTS  
 STATE OF SOUTH CAROLINA  
 JAMI MARIE COOK  
 Bentonville, AR  
 No. 9599  
 REGISTERED ARCHITECT  
 JAN 02 2020

ISSUE BLOCK


STORE NO. 371  
 DOCUMENT DATE: 01/03/20  
 CHECKED BY: RAF  
 DRAWN BY: N.J.M.E.  
 PROTO CYCLE:

SCHEDULES & DETAILS  
 SHEET: **A2**

Jan02,2020, 2:24pm - User: nrich@egor.com  
 L:\0303-18-10371-Loves-Dillon, SC-371\COMDCS\Arch\0303-18-10371-12-A2-SCHEDULES & DETAILS.dwg