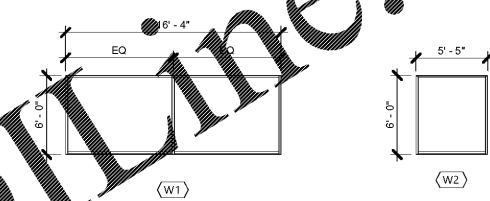
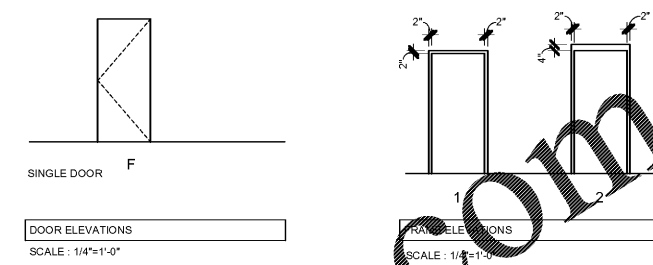
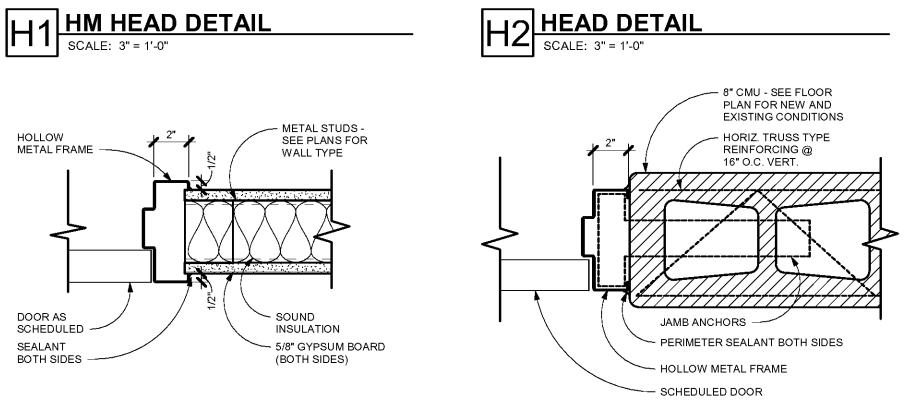
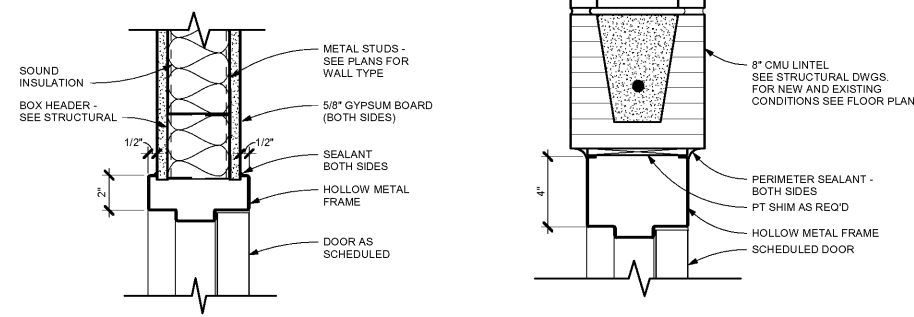
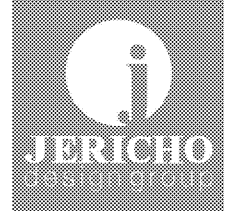


DOOR SCHEDULE														
NO.	ELEVATION	SINGLE / PAIR	WIDTH	HEIGHT	THICK.	MATL.	FINISH	FRAME			DETAILS			NOTES
								ELEVATION	MATL.	FINISH	HEAD	JAMB	SILL	
201	F	SINGLE	3'-0"	7'-0"	1 3/4"	HM	PTD	F2	HM	PTD	H2	J2	--	
202	F	SINGLE	3'-0"	7'-0"	1 3/4"	HM	PTD	F1	HM	PTD	H1	J1	--	
301	F	SINGLE	3'-0"	7'-0"	1 3/4"	HM	PTD	F1	HM	PTD	H1	J1	--	
302	F	SINGLE	3'-0"	7'-0"	1 3/4"	HM	PTD	F1	HM	PTD	H1	J1	--	
303	F	SINGLE	3'-0"	7'-0"	1 3/4"	HM	PTD	F1	HM	PTD	H1	J1	--	



Order Plans @ www.LDOnline.com



PRESS BOX EXPANSION

RIVERSIDE MILITARY ACADEMY

2001 RIVERSIDE DR
GAINESVILLE, GA 30601

PRINT RECORD		
No.	DATE	DESCRIPTION
1	12/20/2019	BID & PERMIT SET

Drawn By: MG
Checked By: DS
Date: 12/20/2019
Job No.: 19046

GENERAL NOTES		ABBREVIATIONS LEGEND	
1. REFER TO ADA REGULATORY DIAGRAMS FOR MORE INFORMATION	DOOR MATERIAL TYPE	FINISH TYPE	
2. SEE GENERAL SPECIFICATIONS FOR DOOR AND FRAME FINISHES.	ALUM - ALUMINUM	STD - STAIN	
3. ALL DOOR HARDWARE SHALL BE HANDICAP ACCESSIBLE, COMPLYING WITH 2010 ADA STANDARDS FOR ACCESSIBLE DESIGN.	HM - HOLLOW METAL	PTD - PAINT	
4. WHERE DISCREPANCIES OCCUR BETWEEN THE DOOR SCHEDULE NOTES AND HARDWARE SPECIFICATIONS, NOTIFY THE ARCHITECT OF DISCREPANCIES TO RECEIVE DIRECTION ON HOW TO PROCEED.	PLAM - PLASTIC LAM CLAD	PF - PREFINISHED	
5. TIE MAGNETIC LOCK INTO FIRE ALARM.	SCWD - SOLID CORE WOOD		
6. REFER TO THE PARTITION TYPE OR APPLICABLE WALL SECTION AND THEN TO TYPICAL DOOR DETAILS FOR APPROPRIATE DETAIL.	FRAME MATERIAL TYPE	GLAZING TYPE	
7. ALL EXTERIOR HOLLOW METAL DOORS TO BE INSULATED.	ALUM - ALUMINUM	T - CLEAR TEMPERED GLASS	
8. ALL EXTERIOR DOORS TO BE WEATHER STRIPPED AND HAVE CLOSERS.	HM - HOLLOW METAL	TT - TINTED & TEMPERED GLASS	
9. ALL FIRE RATED DOORS TO HAVE CLOSERS.	STL - STEEL	IT - INSULATED TEMPERED GLASS	
10. PROVIDE BRASS STOP BAR TRANSITION STRIPS AT THE FOLLOWING FLOORING TRANSITIONS: WOOD-PORCELAIN, WOOD-CARPET, CARPET-PORCELAIN.	WD - WOOD		

Sheet Title
DOOR & WINDOW SCHEDULE AND ELEVATIONS

Sheet No.
A-7.01

NOT RELEASED FOR CONSTRUCTION