

2019 Jericho Design Group, LLC. These drawings are protected by the copyright laws of the United States. These drawings or any part thereof may not be used for any purpose or reproduced in any form or by any means without the written consent of Doug Shaw.

12/20/2019 5:15:12 PM
 C:\Users\mgonzalez\Documents\19046 DG RS PRESS BOX_ARCH_LRVT19_mgonzalez\ISGP4.rvt

ELEVATION LEGEND

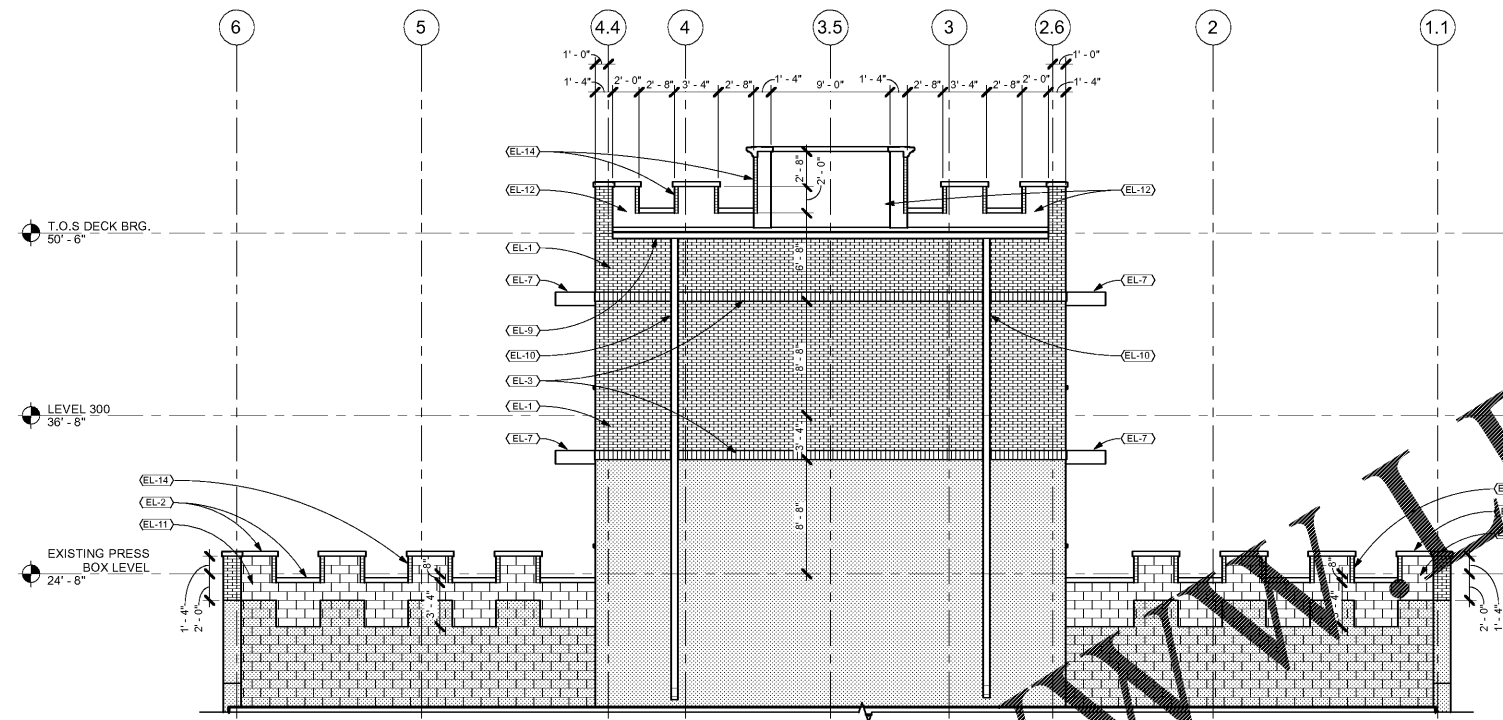
	SOLID GRAY PATTERN INDICATES EXISTING CONSTRUCTION TO REMAIN.
	NO SHADING INDICATES NEW CONSTRUCTION.

KEY NOTES - ELEVATIONS

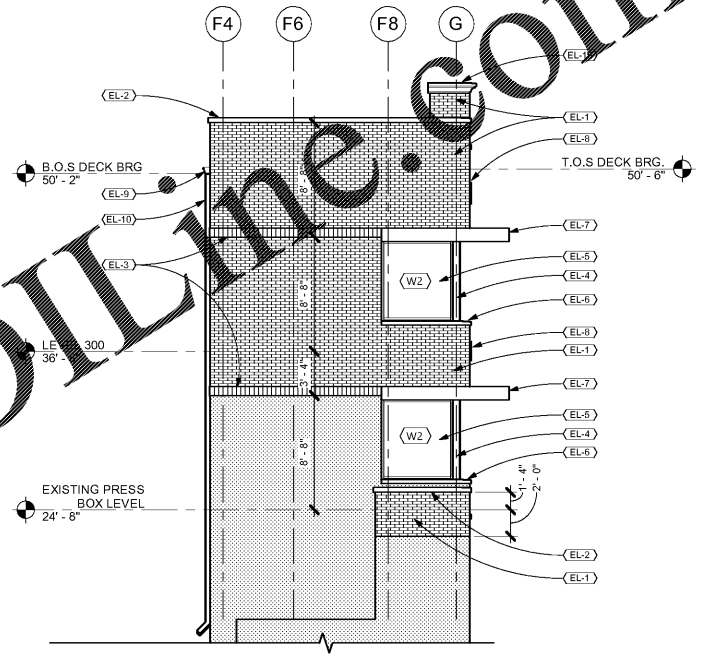
KEY NOTE #	DESCRIPTION
EL-1	BRICK VENEER
EL-2	CAST STONE COPING
EL-3	BRICK VENEER SOLDIER COURSE
EL-4	ALUMINUM STORE FRONT SYSTEM - YKK - YES 45 TU
EL-5	1" INSULATED NON-GLARE GLASS
EL-6	CAST STONE SILL
EL-7	PRE-FABRICATED AWNING
EL-8	RAISED PRE-FINISHED 18" ALUMINUM LETTERS - FONT T.B.D.
EL-9	PRE-FINISHED ALUMINUM GUTTER
EL-10	PRE-FINISHED 4"x6" ALUMINUM DOWNSPOUT
EL-11	COAT EXPOSED CMU AT PARAPET WITH FLUID-APPLIED BITUMINOUS COATING - MATCH EXISTING PARAPET COATING, TYP.
EL-12	ROOFING MEMBRANE AT BACK SIDE OF PARAPET
EL-13	GRAPHICS AND LOGO BY OWNER - MOUNT TO CMU SUBSTRATE
EL-14	RETURN BRICK TO BLIND SIDE OF PARAPET AT ALL CRENNELLATIONS, TYP.
EL-15	CAST STONE CORNICE
EL-16	RIVERSIDE MILITARY ACADEMY CREST - OWNER TO PROVIDE COMPLETION G.C. TO INSTALL.



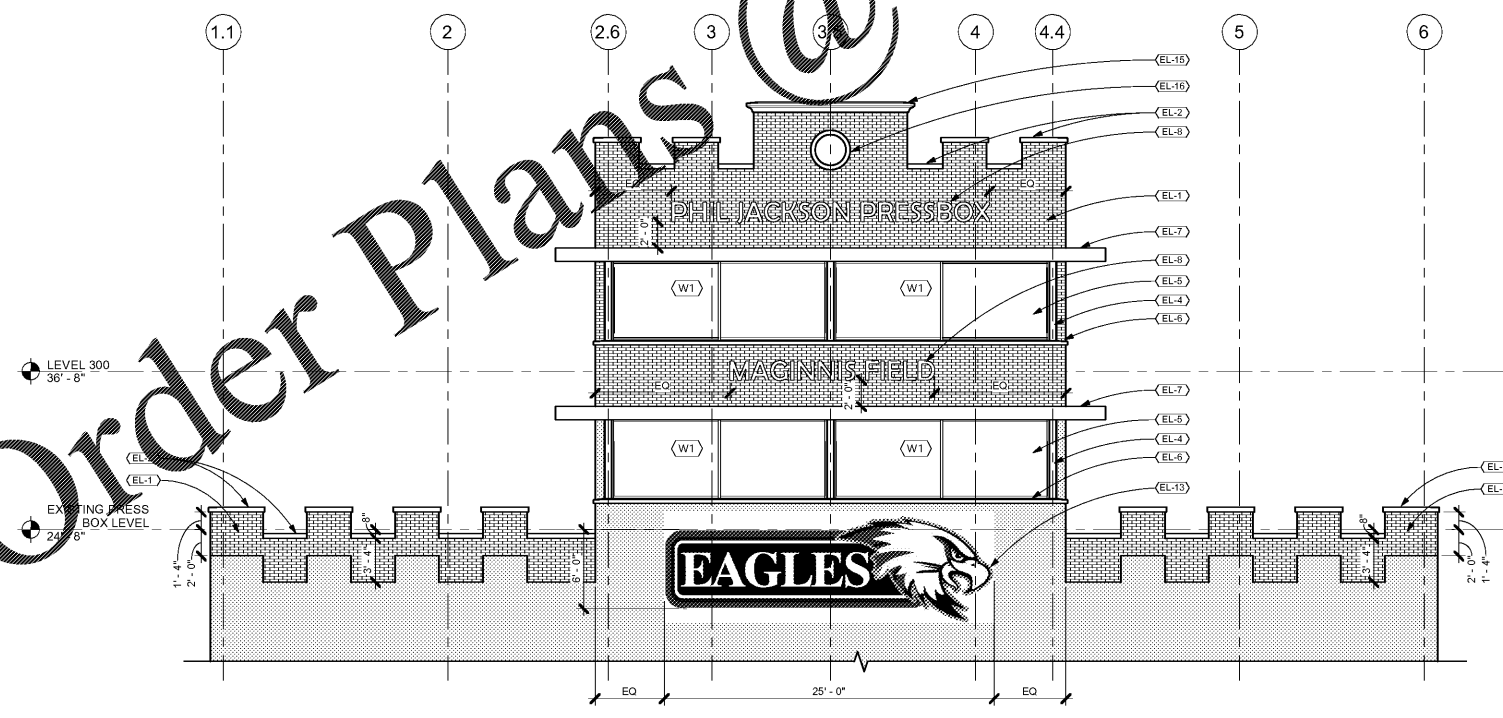
102 Mary Alice Park Road, Suite 103
 Cumming, GA 30040



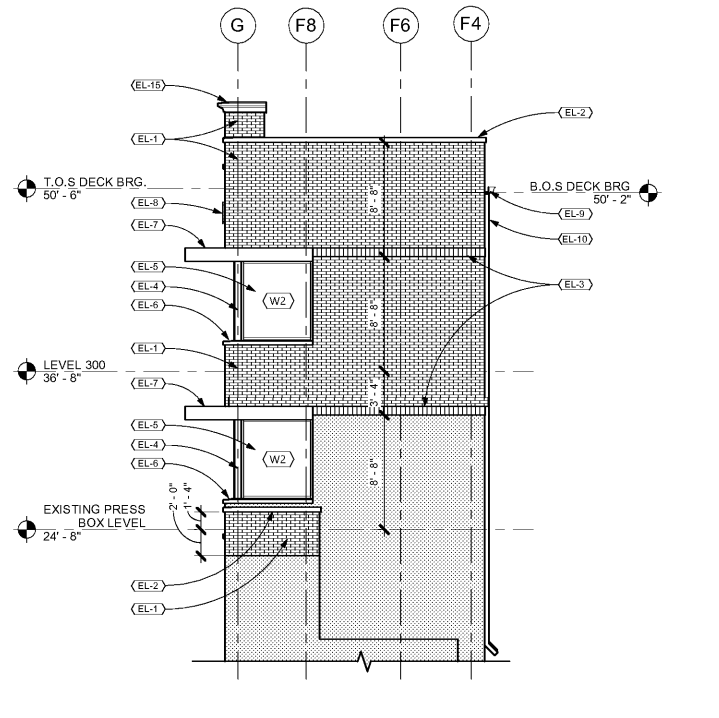
D1 NORTH - EXTERIOR ELEVATION
 SCALE: 3/16" = 1'-0"



D6 WEST EXTERIOR ELEVATION
 SCALE: 3/16" = 1'-0"



A1 SOUTH - EXTERIOR ELEVATION
 SCALE: 3/16" = 1'-0"



A6 EAST - EXTERIOR ELEVATION
 SCALE: 3/16" = 1'-0"

PRESS BOX EXPANSION
 RIVERSIDE MILITARY ACADEMY
 2001 RIVERSIDE DR
 GAINESVILLE, GA 30601

PRINT RECORD

No.	DATE	DESCRIPTION
1	12/20/2019	BID & PERMIT SET

Drawn By: MG
 Checked By: DS
 Date: 12/20/2019
 Job No.: 19046
 Sheet Title: EXTERIOR ELEVATIONS

Sheet No.: **A-4.01**
 NOT RELEASED FOR CONSTRUCTION