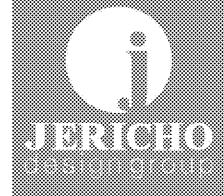


GENERAL PARTITION NOTES

1. STUD DESIGN CRITERIA: ALL INTERIOR, NON-LOAD BEARING METAL STUDS SHALL BE 20 GAUGE (MIN.) UNLESS OTHERWISE NOTED. PROVIDE 5 PSF MIN. APPLIED LATERAL LOAD, L/240 MAX. DEFLECTION.
2. ALL FIRE RATED PARTITIONS MUST EXTEND AND SEAL TO STRUCTURE ABOVE.
3. INSTALLATION OF GYPSUM BOARD, BACKER BOARD AND BASE BOARD SHALL CONFORM TO REQUIREMENTS FOR FIRE RATINGS AND ACOUSTICAL RATINGS.
4. PROVIDE WATER RESISTANT TYPE GYPSUM BOARD AT AREAS THAT ARE NOTED IN ROOM FINISH SCHEDULE TO RECEIVE CERAMIC OR PORCELAIN TILE FINISH INCLUDING RESTROOMS.
5. PROVIDE 5/8" GYPSUM BOARD UNLESS OTHERWISE NOTED.
6. PROVIDE 5/8" TYPE 'X' GYPSUM BOARD AT FIRE RATED PARTITIONS.
7. METAL STUD GAUGE (IF NOTED) AND U.L. TEST NUMBERS WILL VARY DEPENDING ON THE MANUFACTURER OF COMPONENTS ACTUALLY USED.
8. PENETRATIONS IN RATED PARTITIONS AND CONNECTIONS OF THE PARTITIONS TO OTHER PORTIONS OF THE WORK SHALL BE IN ACCORDANCE WITH MANUFACTURER'S RECOMMENDED DETAILS AND IN COMPLIANCE WITH APPLICABLE TESTING AGENCY REQUIREMENTS.
9. INSTALL BLOCKING OR BACKER MATERIAL FOR ATTACHMENT / MOUNTING OF WALL HUNG ITEMS, ACCESSORIES, FIXTURES, FURNITURE OR EQUIPMENT DESCRIBED IN THE DOCUMENTS. PROVIDE BLOCKING TO MATCH THE OVERALL HEIGHT AND WIDTH OF ALL WALL MOUNTED MONITORS AND TV'S.
10. WHEN INSTALLING GYPSUM BOARD, CONTRACTOR SHALL COMPLY WITH REQUIREMENTS OF THE MOST CURRENT EDITION OF THE GYPSUM ASSOCIATION "GA-600" FIRE RESISTANCE DESIGN MANUAL AND THE MOST CURRENT EDITION OF THE UL FIRE RESISTANCE DIRECTORY.
11. PARTITIONS THAT ARE REQUIRED TO EXTEND TO THE DECK ABOVE SHALL HAVE THE GYPSUM BOARD CUT TO FIT WITHIN A 1/4" MAXIMUM TOLERANCE TO THE SHAPE OF THE DECK ABOVE. GYPSUM BOARD SHALL BE CONTINUOUSLY SEALED FOR THE FULL DEPTH OF THE GYPSUM BOARD WITH FLEXIBLE SEALANT.
12. GYPSUM BOARD SHALL BE CUT SO THAT THE CLEARANCE BETWEEN METEORIC ELECTRICAL OUTLET BOXES AND THE GYPSUM BOARD DOES NOT EXCEED 1/8".
13. THE BOTTOM OF THE GYPSUM BOARD AT INTERIOR PARTITIONS SHALL BE 1/2" MINIMUM AND 1/2" MAXIMUM ABOVE THE CONCRETE FLOOR SLAB AND SHALL BE SEALED FOR THE FULL DEPTH OF THE GYPSUM BOARD WITH FLEXIBLE SEALANT.
14. REFER TO THE LIFE SAFETY FLOOR PLANS FOR EXTENT OF FIRE WALL FINISHES.
15. ALL ELEMENTS OF ACOUSTIC RATED PARTITIONS SHALL EXTEND TO ROOM STRUCTURE OR FLOOR DECK ABOVE.
16. PARTITION TYPES DESCRIBE GENERAL REQUIREMENTS FOR PARTITIONS. REFER TO THE MANUFACTURER'S SPECIFICATIONS AND REQUIREMENTS AND APPLICABLE TESTING AGENCIES FOR SPECIFICS OF PARTITION CONSTRUCTION.
17. WHERE A CLEAR DIMENSION OR OPENING IS REQUIRED OR NOTED, MEASURE DIMENSION TO FACE OF PARTITION FINISH.
18. REFER TO INTERIOR FINISH SCHEDULE FOR ALL FINISHES.
19. ALL FIRE AND/OR SMOKE BARRIERS OR WALLS SHALL BE EFFECTIVELY AND PERMANENTLY IDENTIFIED WITH SIGN SYSTEMS INCLUDING A DECORATIVE CEILING AND OR IN CONCEALED SPACES WITH LETTERS MINIMUM OF 1 1/2" (2) INCHES HIGH ON A CONTRASTING BACKGROUND SPACED A MAXIMUM OF TWELVE (12) FEET ON CENTER WITH A MINIMUM OF ONE PER WALL OR BARRIER IN ACCORDANCE WITH MODIFICATIONS OF THE 2006 STANDARD FIRE PREVENTION CODE. EX-3, CHAPTER 5 OF THE RULES AND REGULATIONS OF THE FIRE SAFETY COMMISSIONER. THIS APPLICABLE RATING SHALL BE INCLUDED ON ALL RATED BARRIERS AND WALLS. SUGGESTED WORDING: (-) HOUR FIRE AND SMOKE BARRIER - PROTECT ALL OPENINGS.



102 May Acker Park Road, Suite 103
Cumming, GA 30040



PRESS BOX EXPANSION

RIVERSIDE MILITARY ACADEMY

2001 RIVERSIDE DR
GAINESVILLE, GA 30601

PRINT RECORD

No.	DATE	DESCRIPTION
1	12/20/2019	BID & PERMIT SET

Drawn By: MG Checked By: DS

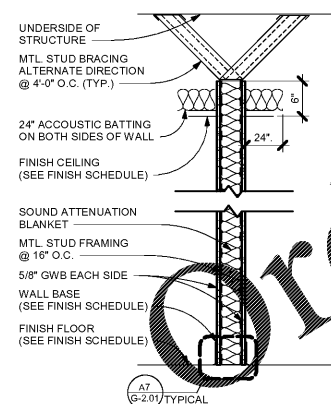
Date: 12/20/2019 Job No.: 19046

**Sheet Title
PARTITION TYPES**

Sheet No.

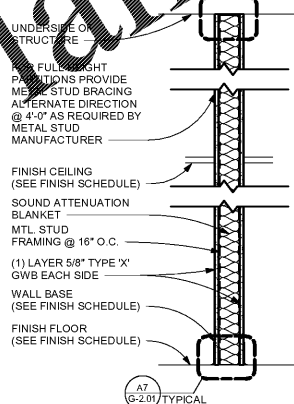
G-2.01

NOT RELEASED FOR CONSTRUCTION



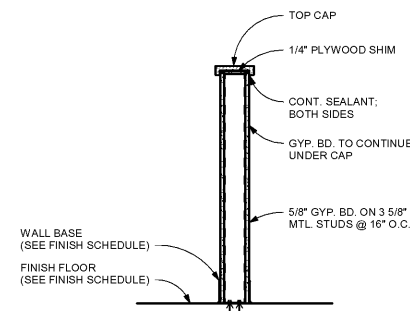
WALL TYPE	DESCRIPTION	FIRE RATING	U.L. #	STC
A2	2 1/2" MTL. STUD	N/A	N/A	48-55
A3	3 5/8" MTL. STUD	N/A	N/A	48-55
A6	6" MTL. STUD	N/A	N/A	48-55

A1 WALL TYPE A
SCALE: 1" = 1'-0"



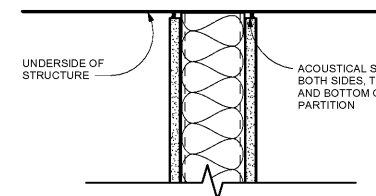
WALL TYPE	DESCRIPTION	FIRE RATING	U.L. #	STC
E2	2 1/2" MTL. STUD	1 HR	U419	47
E3	3 5/8" MTL. STUD	1 HR	U419	49
E6	6" MTL. STUD	1 HR	U419	49

A3 WALL TYPE E
SCALE: 1" = 1'-0"

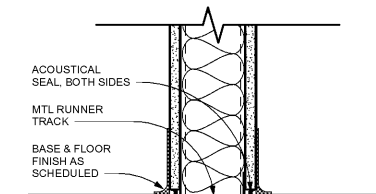


WALL TYPE	DESCRIPTION	FIRE RATING	U.L. #	STC
N1	34 1/2" A.F.F.	N/A	N/A	N/A
N2	40 1/2" A.F.F.	N/A	N/A	N/A
N3	46 1/2" A.F.F.	N/A	N/A	N/A

A5 WALL TYPE N
SCALE: 1" = 1'-0"



B7 HEAD OF WALL DETAIL
SCALE: 3" = 1'-0"



A7 BOTTOM OF WALL DETAIL
SCALE: 3" = 1'-0"

Order Plans @ www.LDILLINING.COM