

PLUMBING FIXTURE SCHEDULE						
MARK	FIXTURE	BRANCH SIZE (MIN)	Manufacturer	Model	REMARKS	NOTES
PRV	PRESSURE REGULATING VALVE	CW, TW, WASTE, VENT	WATTS WILKINS	LF223 600XL	LEAD FREE BRONZE BODY VALVE WITH SHUT-OFF VALVES FOR SIZES UP TO 2-1/2" CAST IRON BODY FOR 3" AND ABOVE. MAXIMUM OPERATING PRESSURE OF 200 PSI. CONFORM TO ASSE 1003.	
YCO	YARD CLEANOUTS		JAY R. SMITH JOSAM MIFAB WADE WATTS ZURON	4250 36850 C1230C1300-MF W-5000W-8300-MF CO-350-MF/CO-380 Z1448Z1474	CAST IRON FERRULE AND PLUG, DURA-COATED CAST IRON, DOUBLE-FLANGED HOUSING, AND EXTRA HEAVY DUTY SCORATED CAST IRON COVER WITH LIFTING DEVICE. VANDAL-PROOF SCREWS.	

GENERAL INFORMATION (ALL FIXTURES):

- ALL PRODUCTS ON THIS SCHEDULE ARE FURNISHED BY OWNER AND INSTALLED BY CONTRACTOR. REFER TO SPECIFICATIONS.
- SUBSTITUTIONS NOT PERMITTED. REF SPECIFICATIONS FOR APPROVED MANUFACTURERS OF THE FOLLOWING TRIM AND ACCESSORIES:
 - P TRAP WITH CLEANOUT PLUG AND SINK CONTAINING WASTES. POLISHED CHROME-PLATED TUBULAR BRASS. 1" GAUGE WITH BRASS NUTS AND SLIP INSERTS
 - SS BRANDED WATER SUPPLY. FLEXIBLE BRAIDED STAINLESS STEEL (SS) OUTER SHEATHING WITH REINFORCED PVC INNER TUBING
 - STOP VALVES: CHROME PLATED BRASS, QUARTER TURN ANGLE STOP VALVES

NOTES:

- INSTALL MOP SINK FAUCET AT 32" AFF AND LOCATE TWO MOP HANGER BRACKETS SIDE BY SIDE NEAR MOP SINK
- INSTALL FURNISHED THERMOSTATIC MIXING VALVE.
- REFERENCE ARCHITECTURAL DRAWINGS FOR EWG2 ORIENTATION.
- COORDINATE WATER ROUGH-IN HEIGHT FROM MANUFACTURER'S INSTALLATION INSTRUCTIONS WITH GRAB BAR LOCATION. REF ARCH DWGS.
- REFER TO PLANS FOR DRAIN OUTLET SIZE.

SPECIALTY PLUMBING FIXTURE SCHEDULE			
MARK	FIXTURE	FIXTURE DESCRIPTION	MANUFACTURER/CATALOG NUMBER
WHA	WATER HAMMER ARRESTOR	LEAD FREE, CONFORM TO PDI WH-201, ANSI A112.26.1M, ASSE 1010.	
	JOSAM SERIES 75600	PRECISION PLUMBING PRODUCTS SS #316 SERIES	WATTS SS SERIES WILKINS MODEL 1250XL SERIES
	JAY R. SMITH HYDROTROLS VALVES	SIoux CHIEF HYDRA-RESTER	MIFAB MWH
	RED-WHITE 5044B OR 5049AB	APOLLO SERIES 70LF	CRANE LF9210 SERIES WATTS LF-FBV-3C OR FBVS-3C, NIBCO FP-800-A-LF
	DOUBLE-CHECK VALVE	LEAD FREE, INCLUDE TWO INDEPENDENT-ACTING CHECK VALVES, TWO SHUT-OFF VALVES, AND BACKFLOW PREVENTER	REQUIRED MEANS FOR TESTING FOR EACH ASSEMBLY. MINIMUM 175 PSI WORKING PRESSURE
	WATTS LF0010T OR LF1706	FEBCO LF650	WILKINS 5030L OR 800XL2
	REDUCED PRESSURE BACKFLOW PREVENTER	LEAD FREE, PROVIDE STRAINER, SHUT-OFF VALVES AND TEST COCKS. INSTALL DRAIN LINE WITH AIR GAP ASSEMBLY TO RECEPTOR APPROVED BY AUTHORITY HAVING JURISDICTION. MINIMUM 175 PSI WORKING PRESSURE	
	WATTS LF0090T OR LF809	FEBCO LF960	WILKINS 573XL OR 913XL
	TRAP PRIMER (SINGLE TRAP)	LEAD FREE, PROVIDE ALL BRONZE PRIMER VALVE WITH REMOVABLE OPERATING PARTS, INTEGRAL VACUUM BREAKER, AND GASKETED ACCESS COVER.	SIoux CHIEF 885
	PRECISION PLUMBING PRODUCTS PRIME-RITE OR OREGON #1	LEAD FREE, PROVIDE ALL BRONZE PRIMER VALVE WITH REMOVABLE OPERATING PARTS, INTEGRAL VACUUM BREAKER, GASKETED ACCESS COVER, AND MULTIPLE TRAP CAPABILITY	
	TRAP PRIMER (MULTIPLE TRAPS)	LEAD FREE, PROVIDE ALL BRONZE PRIMER VALVE WITH REMOVABLE OPERATING PARTS, INTEGRAL VACUUM BREAKER, GASKETED ACCESS COVER, AND MULTIPLE TRAP CAPABILITY	
	PRECISION PLUMBING PRODUCTS PRIME-RITE OR OREGON #1	MIFAB M-503-NPB	JOSAM 88300
	VACUUM RELIEF VALVE	LEAD FREE, BRASS BODY	CSA/ANSI J21.22
	WATTS LFN30-M1		

GENERAL INFORMATION (ALL FIXTURES):

- THIS SCHEDULE IS COMPREHENSIVE. ALL MARKS MAY OR MAY NOT BE USED ON THE PLANS.

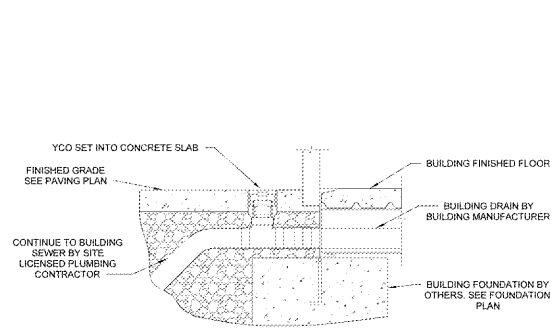
PLUMBING SYMBOLS	
SS	SANITARY SEWER
---	DOMESTIC COLD WATER
---	DOMESTIC HOT WATER
---	DOMESTIC HOT WATER RETURN
+	BALL VALVE
+	SHUT-OFF VALVE IN VERTICAL LINE
+	BACKFLOW PREVENTER
M	WATER METER
FD1	FLOOR DRAIN
FCO	FLOOR CLEANOUT
YCO	YARD CLEANOUT
FPWH	FREEZE PROOF WALL HYDRANT
HB	HOSE BIBB
WCO	WALL CLEANOUT
+	PRESSURE REGULATING VALVE

GENERAL NOTES

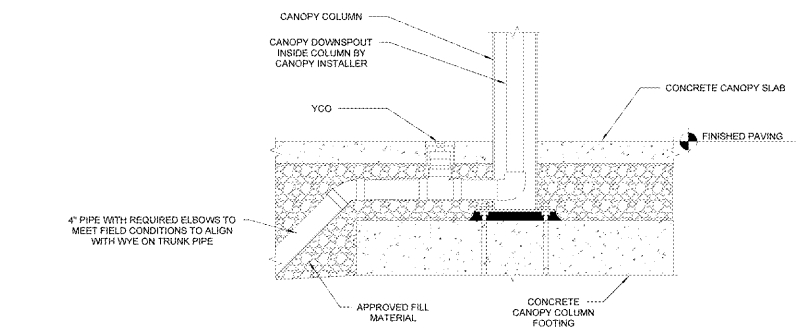
- INSTALL ALL ITEMS SHOWN UNLESS OTHERWISE SPECIFIED OR NOTED.
- PROVIDE ALL MATERIALS FOR A COMPLETE INSTALLATION IN ALL RESPECTS READY FOR INTENDED USE AND IN STRICT ACCORDANCE WITH STATE AND LOCAL CODES AND MANUFACTURER'S RECOMMENDATION.
- COORDINATE SEWER AND WATER CONNECTIONS WITH CIVIL AND SITE CONDITIONS. PROVIDE PRESSURE REDUCING VALVE WHEN WATER PRESSURE IS 80 PSIG OR GREATER. PROVIDE BACKFLOW PREVENTER AS REQUIRED BY LOCAL CODE. COORDINATE WATER METER LOCATION WITH CIVIL PLANS AND LOCAL AHJ REQUIREMENTS.
- REFER TO RISER DIAGRAMS AND PLUMBING FIXTURE SCHEDULE FOR ALL PIPING AND PIPE SIZES NOT SHOWN ON PLAN.
- ALL SEWER PIPING BELOW SLAB TO BE 2" DIAMETER MINIMUM.
- BURY WATER AND SEWER PIPING AT AN ADEQUATE DEPTH TO PREVENT FREEZING.
- EACH CONTRACTOR IS RESPONSIBLE FOR HAVING THOROUGH KNOWLEDGE OF ALL DRAWINGS AND SPECIFICATIONS AS THEY RELATE TO HIS WORK. NO ADDITIONAL CLAIMS SHALL BE ALLOWED DUE TO LACK OF THOROUGH KNOWLEDGE.
- IN ALL REQUIRED INFORMATION PERMITS AND LOCAL ORDINANCES AND MAKE ARRANGEMENTS AS MANY REQUIRED INSPECTIONS.
- SEWER SYSTEM ON-SITE TESTING OF JAMB SYSTEM AND INCLUDE THE COST OF TESTING IN BID. IN THE EVENT LEAKS ARE DETECTED, BUILDING MFR SHALL BE NOTIFIED FOR CORRECTION OF LEAKS.
- ENSURE THAT WATER HEATER IS COMPLETELY FILLED WITH WATER BEFORE POWER TO WATER HEATER IS TURNED ON.
- IF MIXING VALVES ARE REQUIRED, ADJUST TO TEMPERATURE COMPLYING WITH REQUIREMENTS OF LOCAL JURISDICTION.
- INSTALL ITEMS SHIPPED LOOSE WITH SERVICE BUILDING.

KEYNOTES

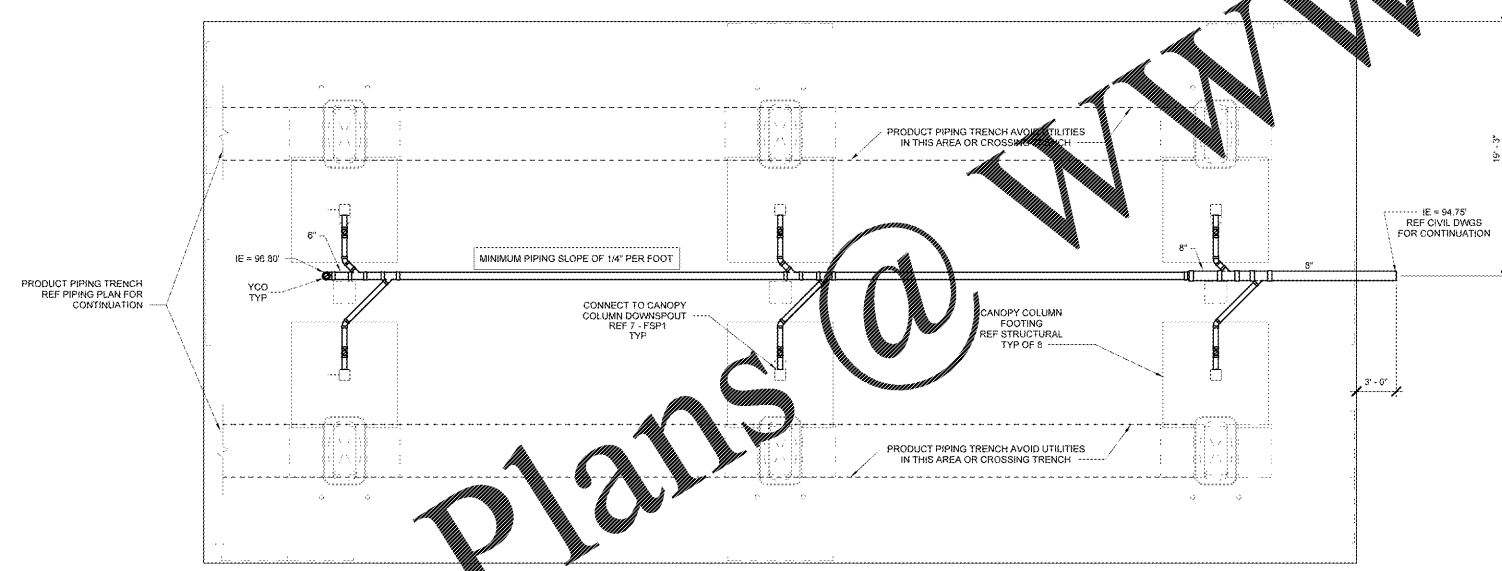
15.152 DOMESTIC WATER SERVICE UP THRU FLOOR. PROVIDE SHUT-OFF VALVE AND PRESSURE REGULATING VALVE AS REQUIRED PER LOCAL CODE.



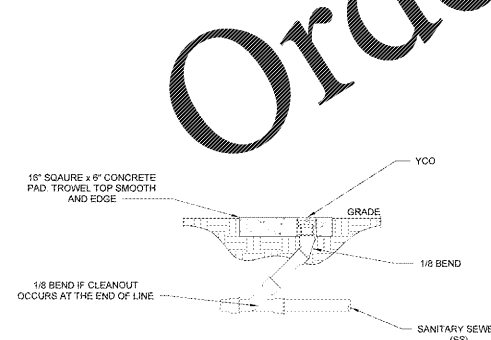
8 BUILDING DRAIN CONNECTION
NTS



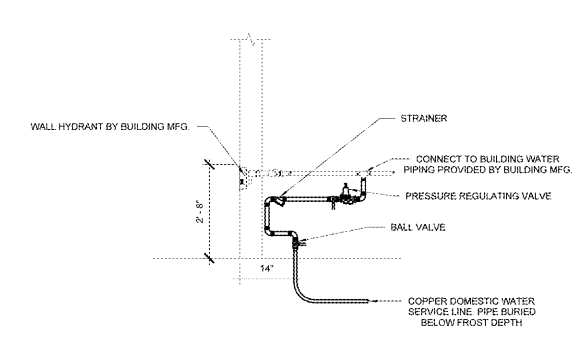
7 COLUMN DOWNSPOUT CONNECTION
NTS



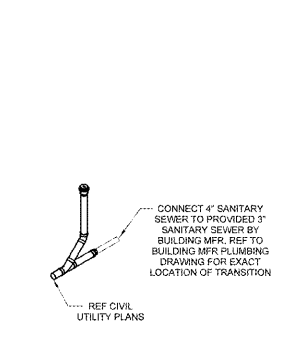
6 CANOPY DRAINAGE PLAN
3/16" = 1'-0"



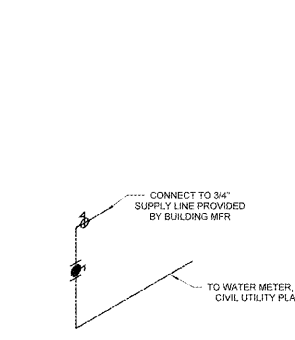
5 YARD CLEANOUT DETAIL
NTS



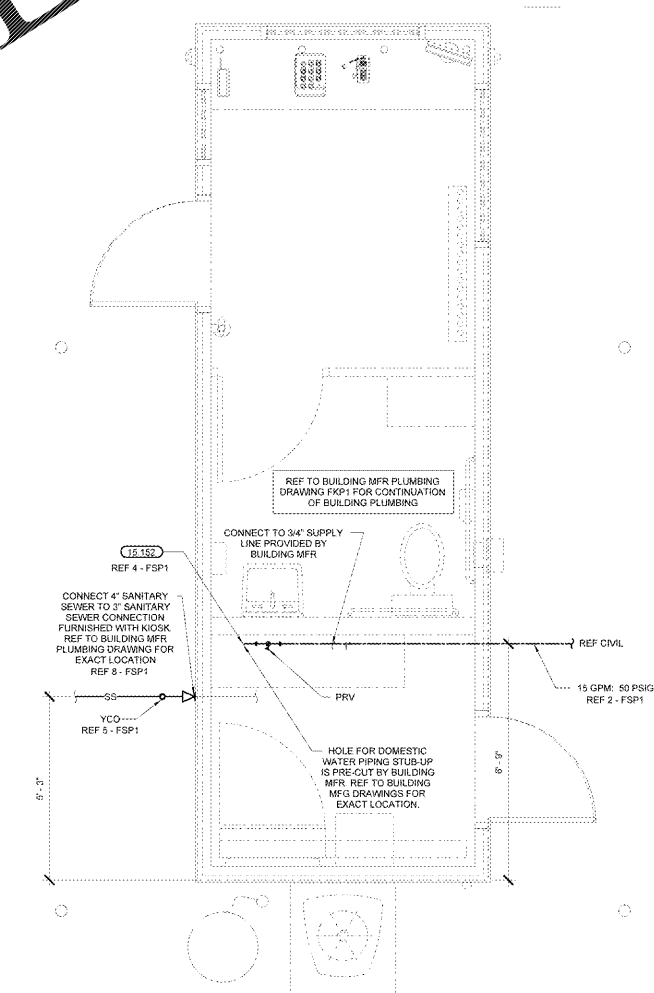
4 BACKFLOW PREVENTER DETAIL
NTS



3 DWV RISER
NTS



2 WATER RISER
NTS



1 PLUMBING FLOOR PLAN
1/2" = 1'-0"

REGULATION FOR RELEASE
THIS DOCUMENT IS THE PROPERTY OF L.D. ILLINE & ASSOCIATES, INC. IT IS TO BE USED ONLY FOR THE PROJECT AND SITE SPECIFICALLY IDENTIFIED HEREON. IT IS NOT TO BE REPRODUCED, COPIED, OR TRANSMITTED IN ANY FORM OR BY ANY MEANS, ELECTRONIC OR MECHANICAL, INCLUDING PHOTOCOPYING, RECORDING, OR BY ANY INFORMATION STORAGE AND RETRIEVAL SYSTEM. WITHOUT THE WRITTEN PERMISSION OF L.D. ILLINE & ASSOCIATES, INC. THIS DOCUMENT IS TO BE DESTROYED UPON COMPLETION OF THE PROJECT.

CONSULTANTS
David P. Kimball
P.L.L.C.
REGISTERED PROFESSIONAL ENGINEER
STATE OF NORTH CAROLINA
NO. 34464
DATE: 03/28/2019
DRAWN BY: DAD
CHECKED BY: JMS
PROJECT NO.: 19010
JOB NUMBER: 6540

ISSUE BLOCK

CHECKED BY: JMS
DRAWN BY: DAD
FILE NAME: FSP1
PROTO CYCLE: 102516
DOCUMENT DATE: 08/20/19

NOT FOR CONSTRUCTION

SERVICE BUILDING PLUMBING PLAN AND DETAILS

SHEET
FSP1