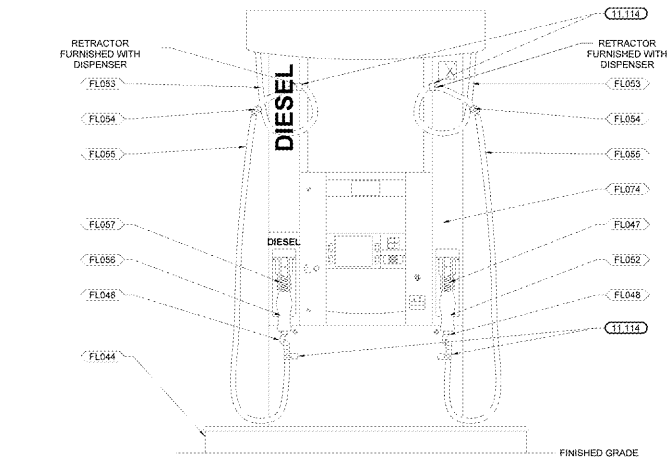
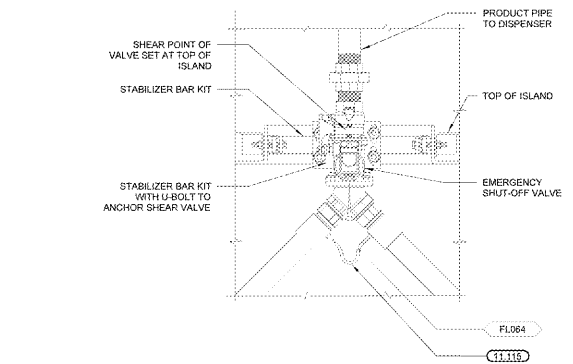


9 UNLEADED DISPENSER ELEVATION
NTS

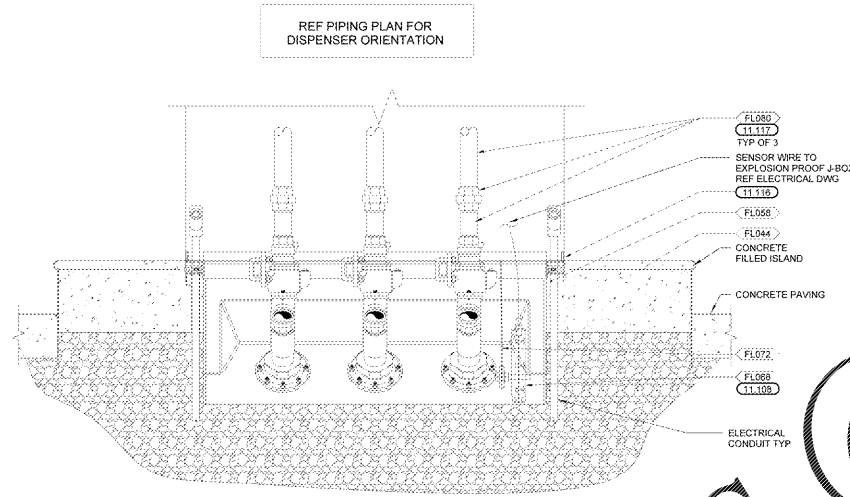


8 UNLEADED/DIESEL DISPENSER ELEVATION
NTS

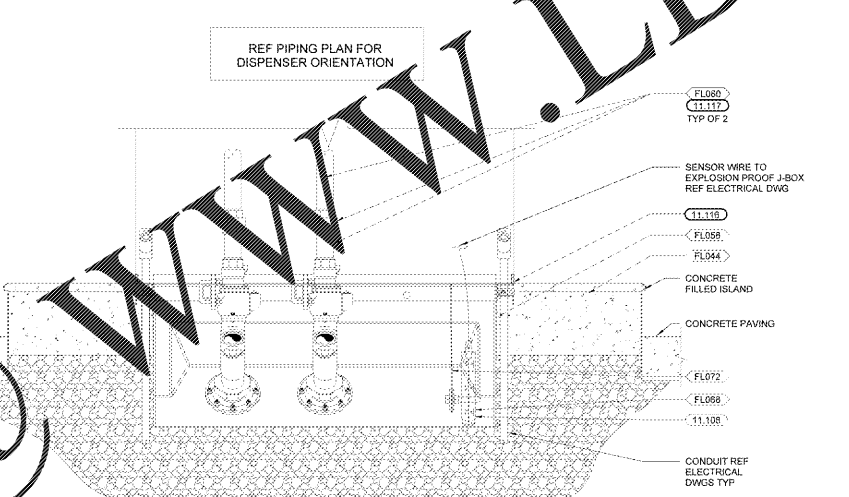


7 SHEAR VALVE PLACEMENT DETAIL
NTS

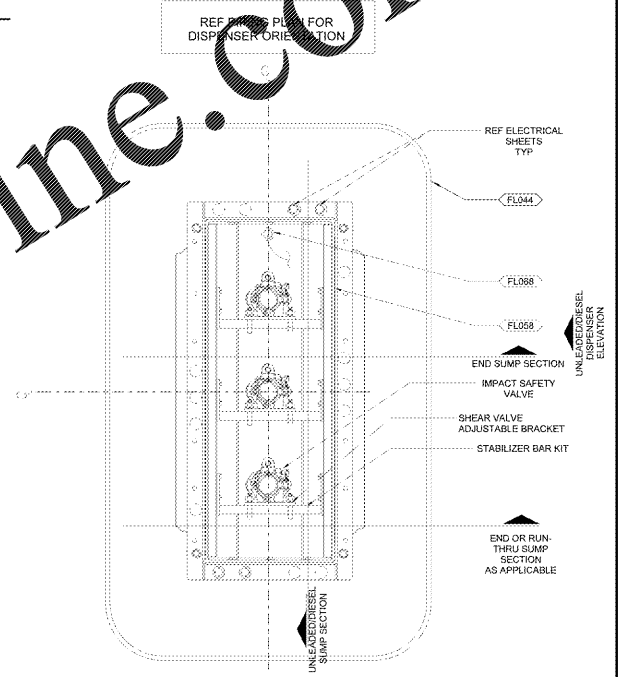
KEYNOTES	
11.108	SUMP SENSOR TO REST ON THE LOWEST POINT OF SUMP ENCLOSURE. SECURE SENSOR USING MANUFACTURERS UNIVERSAL MOUNTING KIT.
11.114	INSTALL ALL WARNING DECALS FURNISHED FOR DISPENSER AND NOZZLES. INSTALL RETRACTORS SUPPLIED WITH DISPENSERS. ATTACH RETRACTORS TO HOSES WITH CONTRACTOR FURNISHED CNI MODEL 8103 CLAMPS.
11.115	REMOVE AIR CHUCK VALVE AFTER TESTING. REMOVE THE TEST TUBE AND LEAVE IN SUMP AFTER COMPLETING TEST.
11.116	SEAL CONNECTION BETWEEN DISPENSER AND DISPENSER SUMP WITH CALK OR IMPERVIOUS STRIPPING.
11.117	1 1/2" PRODUCT RISER PIPE TO DISPENSER.



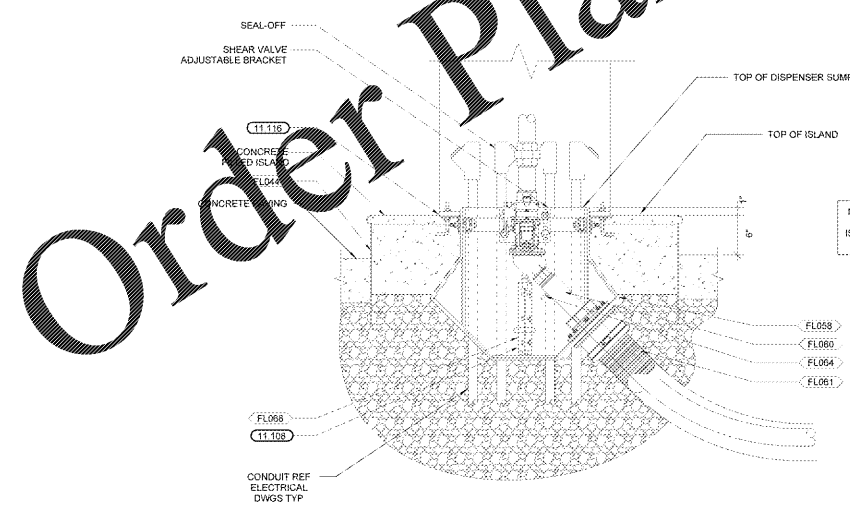
5 UNLEADED/DIESEL DISPENSER SUMP SECTION
NTS



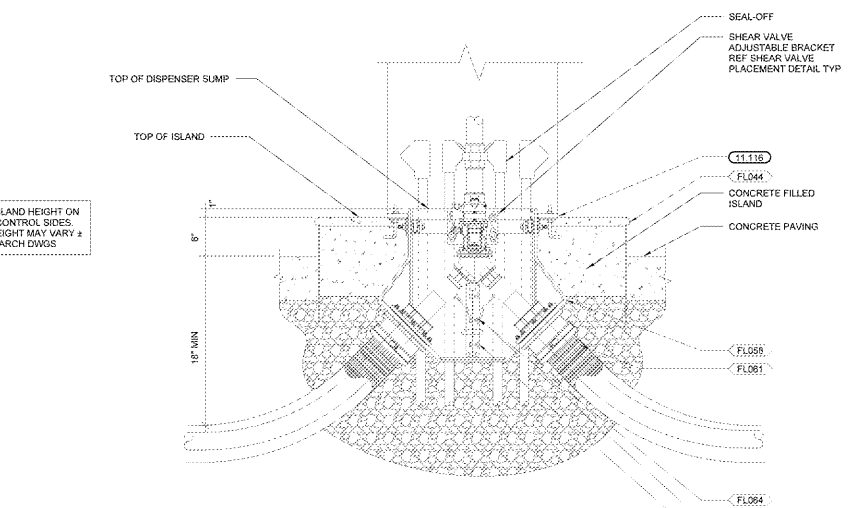
4 UNLEADED DISPENSER SUMP SECTION
NTS



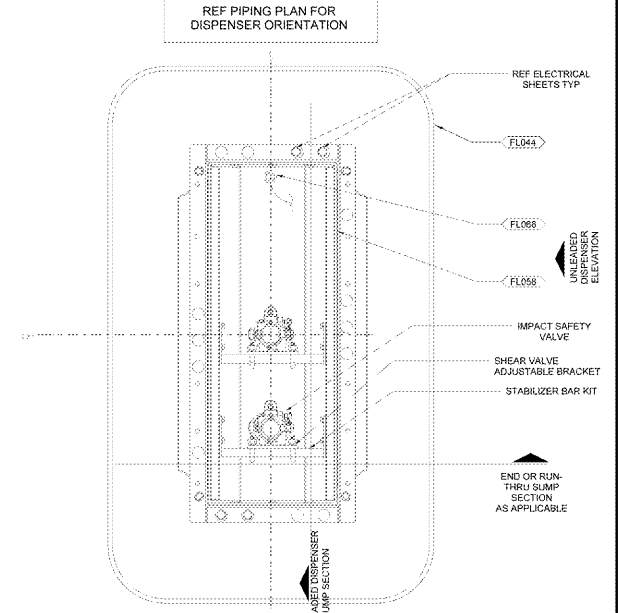
6 UNLEADED/DIESEL DISPENSER PIPING PLAN
NTS



3 END DISPENSER SUMP SECTION
NTS



2 RUN-THRU DISPENSER SUMP SECTION
NTS



1 UNLEADED DISPENSER PIPING PLAN
NTS

Order Plans @

WWW.LDILine.com

STIPULATION FOR RELEASE
THIS DOCUMENT IS THE PROPERTY OF LDILINE, INC. IT IS TO BE USED ONLY FOR THE PROJECT AND SITE SPECIFICALLY IDENTIFIED HEREIN. IT IS NOT TO BE REPRODUCED, COPIED, OR TRANSMITTED IN ANY FORM OR BY ANY MEANS, ELECTRONIC OR MECHANICAL, INCLUDING PHOTOCOPYING, RECORDING, OR BY ANY INFORMATION STORAGE AND RETRIEVAL SYSTEM, WITHOUT THE WRITTEN PERMISSION OF LDILINE, INC.

CONSULTANTS
David P. Kimball
LDI CONSULTANTS
1000 W. WILSON AVENUE
SUITE 1000
CHARLOTTE, NC 28202
PHONE: 704.375.1111
FAX: 704.375.1112
WWW.LDILINE.COM

CHARLOTTE, NC
Sams CLUB
CLUB#: 6540
JOB NUMBER: 5448-102

ISSUE BLOCK	

CHECKED BY:	JMS
DRAWN BY:	DAD
FILE NAME:	FST4
PROTO CYCLE:	102516
DOCUMENT DATE:	08/20/19

NOT FOR CONSTRUCTION

DISPENSER AND SUMP DETAILS

SHEET
FST4