

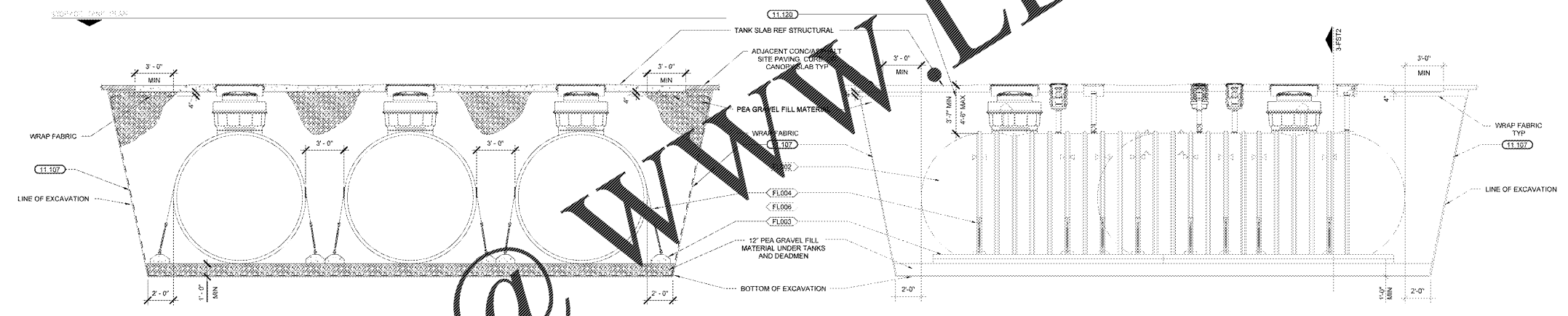
5 TANK CUTSHEETS
NTS

KEYNOTES

11.107 PROVIDE GEOTEXTILE FABRIC LINER AT LINE OF EXCAVATION. GEOTEXTILE FABRIC TO BE NON-WOVEN FABRIC WITH MINIMUM OF 160 LB GRAB TENSILE STRENGTH (GTS). WRAP FABRIC AT TOP OF EXCAVATION - EXTEND 3'-0" MIN BENEATH TANK SLAB AROUND ENTIRE PERIMETER. OVER EXCAVATION MAY BE REQUIRED DUE TO SOIL CONDITIONS OR LOCAL REQUIREMENTS. VERIFY DISTANCE PER TANK MANUFACTURER'S INSTALLATION SPECIFICATIONS.

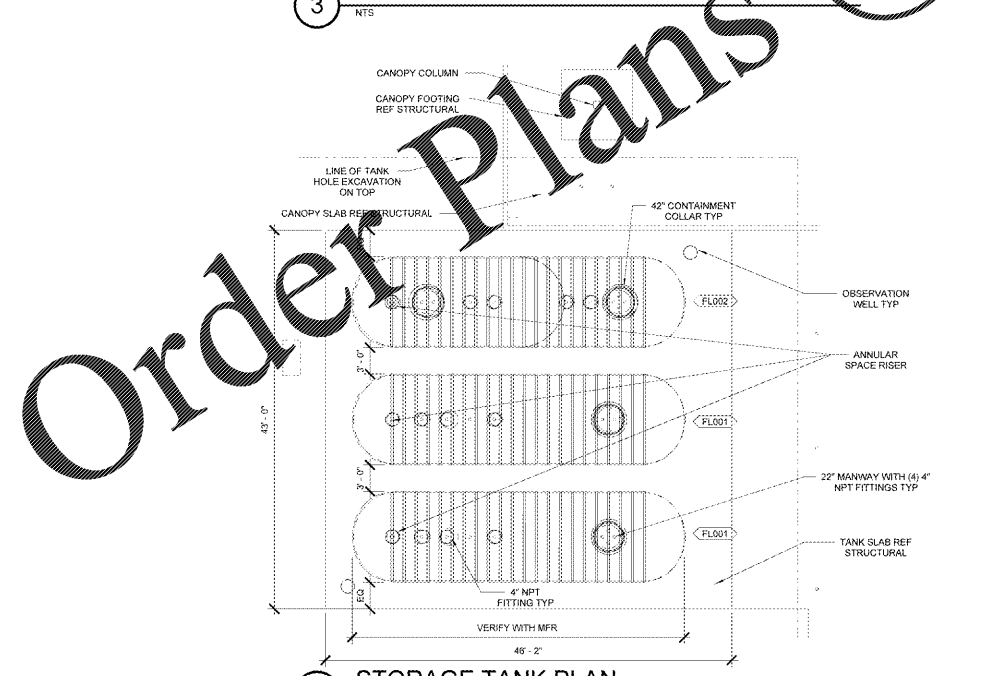
11.120 DETERMINE EXACT BURIAL DEPTH OF TANKS AS REQUIRED TO MAINTAIN 1/8" PER FOOT SLOPE OF PIPING FROM DISCHARGES NEAREST TO TANKS AND FROM VENT TERMINAL TO TANKS. BURIAL DEPTH GREATER THAN THE MAXIMUM DEPTH INDICATED ON DETAIL REQUIRES APPROVAL OF OWNER'S CONSTRUCTION MANAGER. COORDINATE WITH VENDOR FOR SUMP EXTENSION RINGS AS REQUIRED.

INSTALLATION OF UNDERGROUND STORAGE TANKS SHALL COMPLY WITH SECTION 5704.2 AND SECTIONS 5704.2.11.1 THROUGH 5704.2.11.4.2 OF 2018 NORTH CAROLINA FIRE CODE

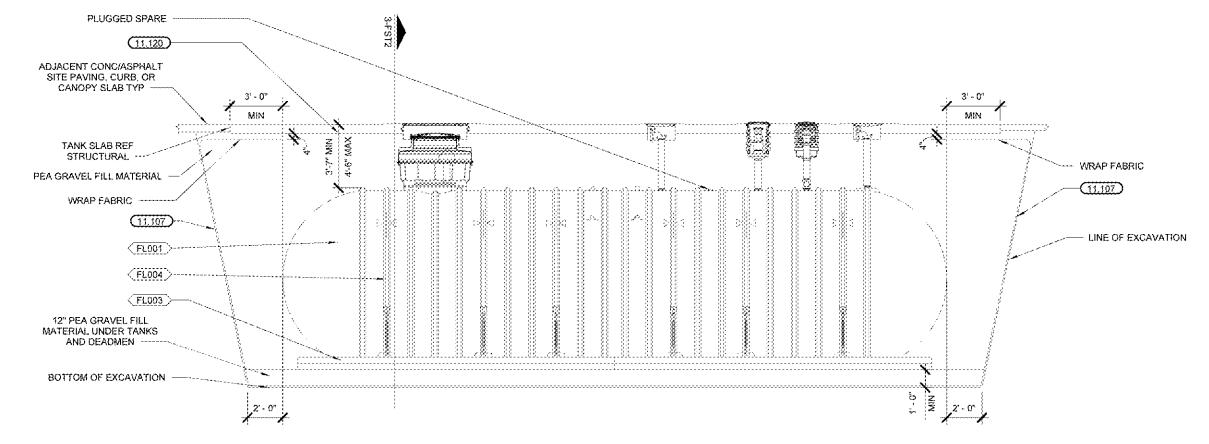


3 UNDERGROUND STORAGE TANK SECTION
NTS

2 TWO COMPARTMENT UNDERGROUND STORAGE TANK
NTS



4 STORAGE TANK PLAN
1/8" = 1'-0"



1 UNDERGROUND STORAGE TANK DETAIL
NTS

STIPULATION FOR REUSE: THIS DOCUMENT IS THE PROPERTY OF LDILINE, INC. IT IS TO BE USED ONLY FOR THE PROJECT AND SITE SPECIFICALLY IDENTIFIED HEREON. IT IS NOT TO BE REPRODUCED, COPIED, OR TRANSMITTED IN ANY FORM OR BY ANY MEANS, WITHOUT THE WRITTEN PERMISSION OF LDILINE, INC. ANY UNAUTHORIZED REUSE OF THIS DOCUMENT IS STRICTLY PROHIBITED.

CONSULTANTS
David P. Kimball
Professional Engineer
No. 35464
Charlotte, NC
10/18/19

Sams Club
CHARLOTTE, NC
CLUB#: 6540
JOB NUMBER: 1902019

ISSUE BLOCK

1	REV #1	10/18/19
---	--------	----------

CHECKED BY: JMS
DRAWN BY: DAD
FILE NAME: FST2
PROTO CYCLE: 102516
DOCUMENT DATE: 08/20/19

NOT FOR CONSTRUCTION

TANK DETAILS

SHEET: FST2