

STIPULATION FOR REUSE
 THIS DRAWING AND ANY INFORMATION CONTAINED HEREIN IS THE PROPERTY OF WALLACE ENGINEERING CONSULTANTS, INC. IT IS TO BE USED ONLY FOR THE PROJECT AND SITE SPECIFICALLY IDENTIFIED HEREON. IT IS NOT TO BE REPRODUCED, COPIED, REUSED, OR TRANSMITTED IN ANY FORM OR BY ANY MEANS, ELECTRONIC OR MECHANICAL, INCLUDING PHOTOCOPYING, RECORDING, OR BY ANY INFORMATION STORAGE AND RETRIEVAL SYSTEM, WITHOUT THE WRITTEN PERMISSION OF WALLACE ENGINEERING CONSULTANTS, INC.

CONSULTANTS
wallace
 WALLACE ENGINEERING CONSULTANTS, INC.
 1000 W. BROADWAY, SUITE 200
 CHARLOTTE, NC 28202
 PHONE: 704.375.1100
 FAX: 704.375.1101
 WWW.WALLACE-EC.COM

Walmart
CAMDEN, SC
 STORE NO. 0634-236
 JOB NUMBER: 1950111 | PHOTO: 12

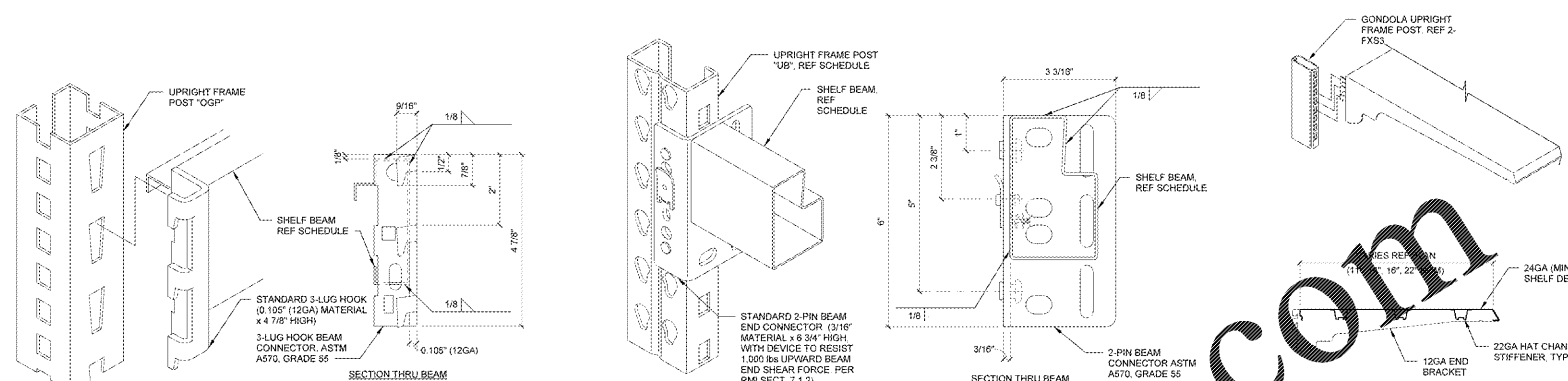
ISSUE BLOCK

CHECKED BY: SB/DW
 DRAWN BY: HS
 PHOTO CYCLE: 10/29/19
 DOCUMENT DATE: 12/19/19

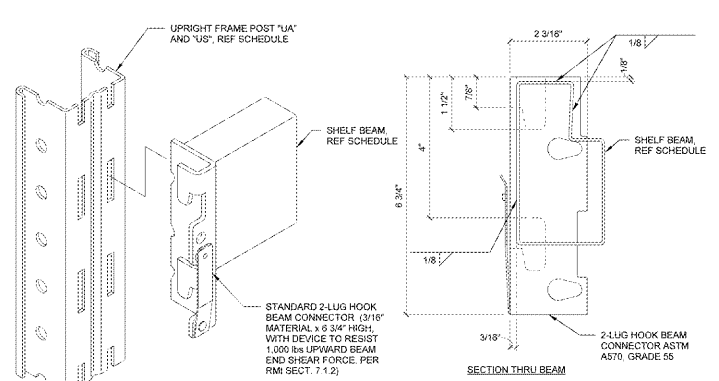


NOT FOR CONSTRUCTION

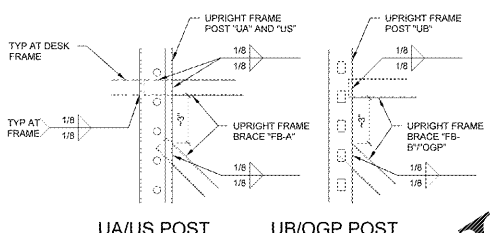
FIXTURE FRAMING DETAILS
 SHEET: FXS3



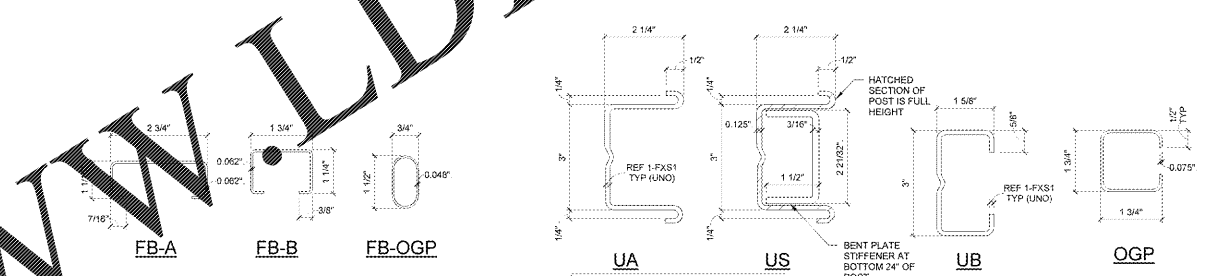
10 UPRIGHT FRAME "OGP" POST TO SHELF BEAM CONNECTION 6" = 1'-0" R
 9 UPRIGHT FRAME "UB" POST TO SHELF BEAM CONNECTION 6" = 1'-0" R
 8 TYPICAL GONDOLA SHELF SECTION 6" = 1'-0" R



7 UPRIGHT FRAME "UA"/"US" POST TO SHELF BEAM CONNECTION 6" = 1'-0" R



6 UPRIGHT FRAME - HORIZ/DIAGONAL BEAM-TO-POST CONNECTION DETAILS 6" = 1'-0" R



4 UPRIGHT FRAME POST SECTIONS 6" = 1'-0" R

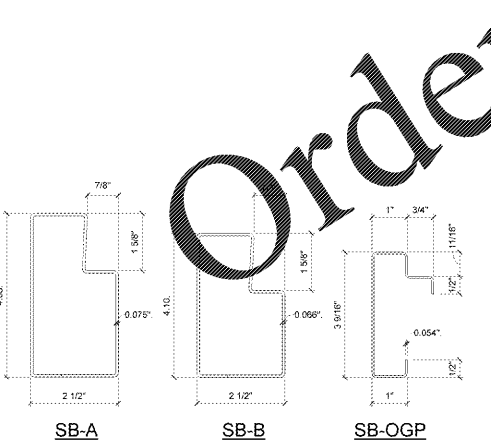
5 UPRIGHT FRAME BEAM SECTIONS 6" = 1'-0" R

RACK FIXTURE SHELF SCHEDULE

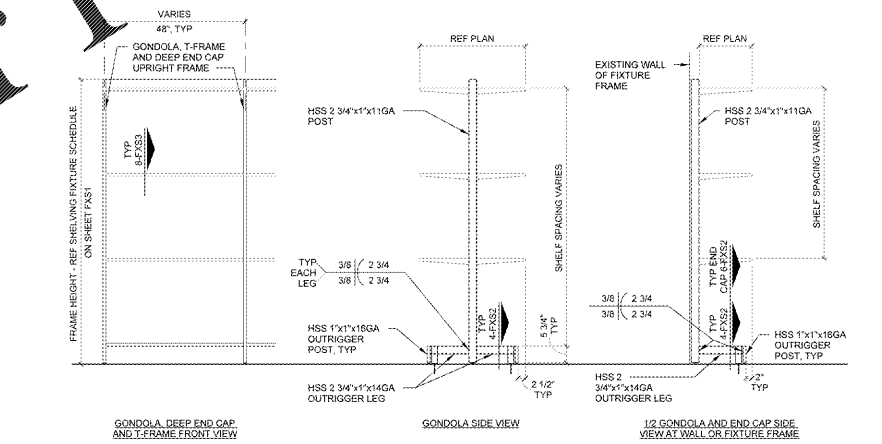
FIXTURE MARK	FRAME DEPTH (B)	FIXTURE HEIGHT	TOP SHELF HEIGHT	RACK FIXTURE SHELF BEAM							
				BEAM MARK	SPAN (L)	H1	H2	H3	H4	H5	H6
B	44"	120"	120"	BEAM: SB-A	93"	12"	36"	36"	36"	0"	0"
BAD	24"x44"	120"	120"	BEAM: SB-A	93"	X	48"	36"	0"	0"	0"
D	24"	120"	120"	BEAM: SB-A	93"	12"	36"	36"	36"	0"	0"
FB	44"	120"	120"	BEAM: SB-A	102"	12"	24"	24"	20"	20"	20"
HAZ	44"	120"	120"	BEAM: SB-A	93"	60"	24"	36"	0"	0"	0"
O	44"	72"	72"	BEAM: SB-A	93"	12"	28"	32"	0"	0"	0"
OGP2	48"	90"	90"	BEAM: SB-OGP	98 1/2"	44"	48"	0"	0"	0"	0"
VZ	44"	120"	120"	BEAM: SB-B	93"	48"	36"	36"	0"	0"	0"

RACK UPRIGHT FRAME SCHEDULE

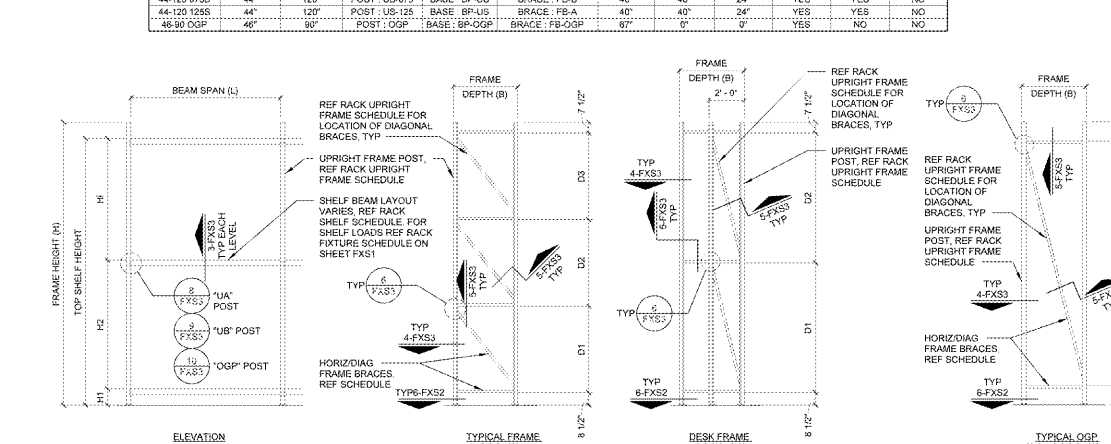
FRAME MARK	FRAME DEPTH (B)	FRAME HEIGHT (H)	POST TYPE	BASE PLATE TYPE	HORIZ/DIAG FRAME BRACES			FRAME DIAGONALS			
					BRACE TYPE	D1	D2	D3	D1	D2	D3
24-120 075A	24"	120"	POST: UA-075	BASE: BP-UA	BRACE: FB-A	40"	40"	24"	YES	YES	NO
24x44-120 075A	44"	120"	POST: UA-075	BASE: BP-UA	BRACE: FB-A	52"	0"	0"	YES	NO	NO
44-72 075A	44"	72"	POST: UA-075A	BASE: BP-UA	BRACE: FB-A	40"	16"	0"	YES	NO	NO
44-120 075B	44"	120"	POST: UB-075	BASE: BP-UB	BRACE: FB-B	40"	40"	24"	YES	YES	NO
44-120 125S	44"	120"	POST: US-125	BASE: BP-US	BRACE: FB-A	40"	40"	24"	YES	YES	NO
48-90 0GP	48"	90"	POST: OGP	BASE: BP-OGP	BRACE: FB-OGP	97"	0"	0"	YES	NO	NO



3 RACK SHELF BEAM SECTIONS 6" = 1'-0" R



2 TYPICAL GONDOLA, T-FRAME, AND END CAP FRAMING ELEVATIONS 1/2" = 1'-0" R



1 STORAGE AREA, SALES FLOOR AND GARDEN CENTER RACK FRAMING ELEVATIONS 1/4" = 1'-0" R

Order Plans @ www.LDILine.com

19/06/2019 10:51 AM
 Camden Store Electrical CADWG, SC, R, 172, FXS, V18, through Shimozaki