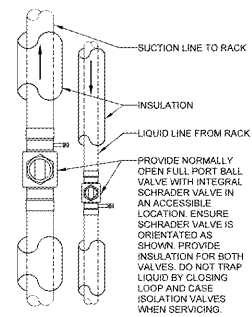
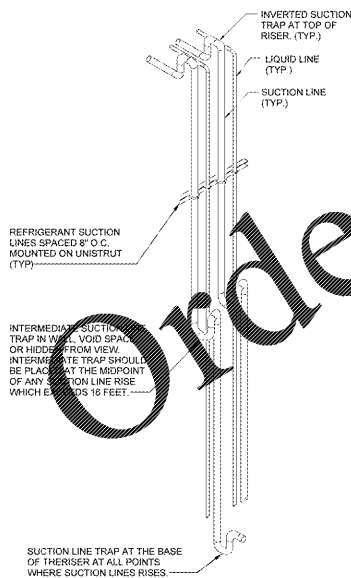


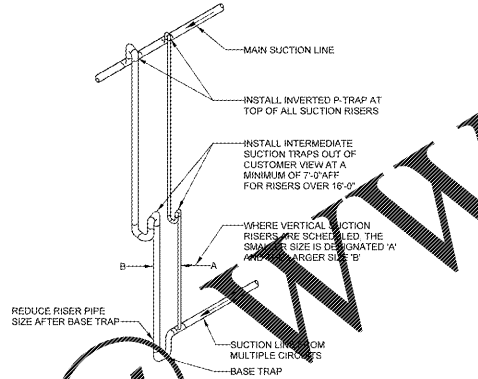
7 VERTICAL REFRIGERANT LINE SUPPORT  
NTS



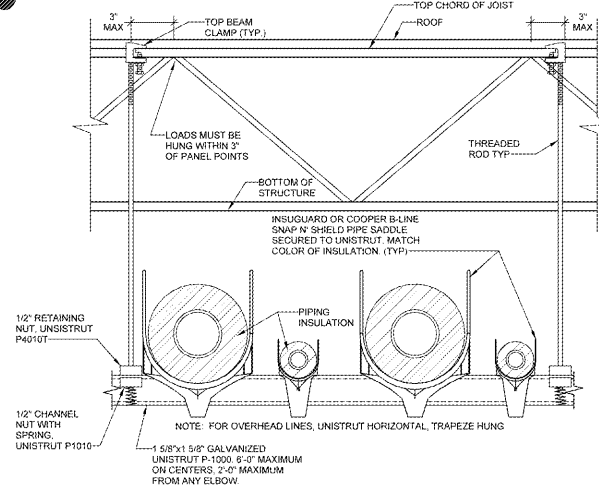
6 REFRIGERATION ISOLATION VALVES  
NTS



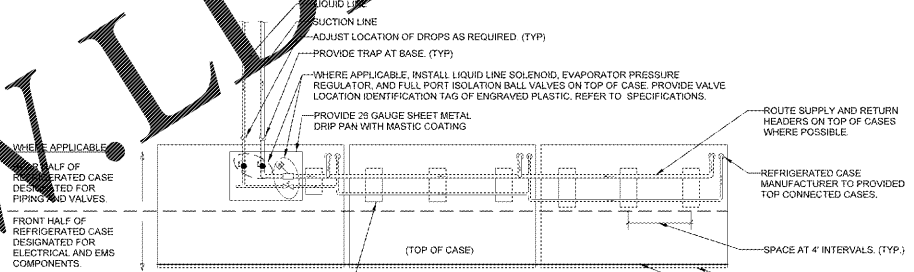
3 INTERMEDIATE SUCTION LINE TRAP DETAIL  
NTS



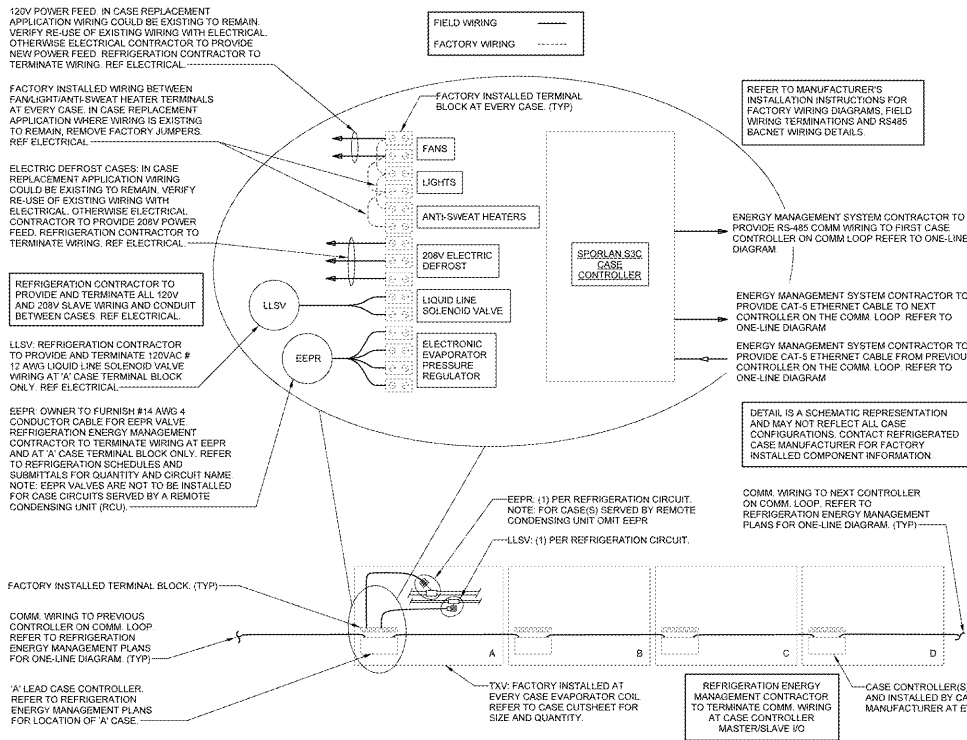
5 VERTICAL SUCTION DOUBLE RISER  
NTS



2 HORIZONTAL REFRIGERANT LINE SUPPORT DETAIL  
NTS



4 REFRIGERATION PIPE ROUTING FOR TOP FED CASES  
NTS



1 CASE CONNECTION SCHEMATIC (SPORLAN)  
NTS

Order Plans @

www.LDILine.com

STIPULATION FOR REUSE  
THIS DRAWING AND ALL INFORMATION CONTAINED HEREIN IS THE PROPERTY OF LDILINE.COM AND IS TO BE USED ONLY FOR THE PROJECT AND SITE SPECIFICALLY IDENTIFIED HEREIN. IT IS NOT TO BE REPRODUCED, COPIED, OR TRANSMITTED IN ANY FORM OR BY ANY MEANS, ELECTRONIC OR MECHANICAL, INCLUDING PHOTOCOPYING, RECORDING, OR BY ANY INFORMATION STORAGE AND RETRIEVAL SYSTEM, WITHOUT THE WRITTEN PERMISSION OF LDILINE.COM.

CONSULTANTS  
LDI ENGINEERING  
1000 W. WASHINGTON ST.  
GREENSBORO, NC 27409  
PH: 336.733.1111 FAX: 336.733.1112  
WWW.LDILINE.COM

Walmart  
CAMDEN, SC  
STORE NO: 0834-226  
JOB NUMBER: 1950111

ISSUE BLOCK

NO.	DESCRIPTION	DATE

CHECKED BY: KK  
DRAWN BY: KS  
PROTO CYCLE: 10/25/19  
DOCUMENT DATE: 12/18/19

DOCUMENTS THAT DO NOT HAVE THE ARCHITECT OR ENGINEER OF RECORD SEAL AND SIGNATURE SHALL BE CONSIDERED NOT FOR CONSTRUCTION

REFRIGERATION DETAILS

SHEET: R4

EXISTING CONDITIONS WERE TAKEN FROM ORIGINAL DRAWINGS AND MAY NOT REFLECT EXACT "AS-BUILT" CONDITIONS. CONTRACTOR SHALL FIELD VERIFY ALL EXISTING CONDITIONS PRIOR TO SUBMITTING FINAL BIDS. CONTRACTOR SHALL CAREFULLY COORDINATE NEW WORK AND DEMOLITION WITH ALL OTHER DISCIPLINES AND EXISTING CONDITIONS.  
EACH SUBCONTRACTOR IS RESPONSIBLE FOR HAVING A THOROUGH KNOWLEDGE OF ALL DRAWINGS AND SPECIFICATIONS IN THEIR RELATED FIELD. THE FAILURE TO ACQUAINT THEMSELVES WITH THIS KNOWLEDGE DOES NOT RELIEVE THE RESPONSIBILITY OF PERFORMING THE WORK PROPERLY. NO ADDITIONAL COMPENSATION SHALL BE ALLOWED BECAUSE OF CONDITIONS THAT OCCUR DUE TO FAILURE TO FAMILIARIZE WORKERS WITH THIS KNOWLEDGE.