

SANITARY COVE BASE SURFACE PREPARATION REQUIREMENTS

1. REMOVE EXISTING WALL BASE AT EXISTING WALL CONDITIONS. REMOVE ALL GYPSUM BOARD BELOW 12" AFF AND REPLACE WITH GLASS-MAT BACKER OF SAME THICKNESS. IF FRP IS IN GOOD CONDITION REPLACE DAMAGED BASE WITH NEW BASE.
2. REMOVE AND REPLACE WALL FINISH TO NEAREST JOINT AS REQUIRED TO PERFORM GLASS-MAT BACKER INSTALLATION.
3. CUT BACK EXISTING QUARRY TILE FLOORING AS REQUIRED TO PROVIDE 1" CLEAR FROM FINISHED SURFACE TO EDGE OF TILE.
4. REMOVE ALL DEBRIS AND ANY REMAINING GROUT. CLEAN SURFACES AS REQUIRED FOR PROPER INSTALLATION OF CONSTRUCTION MATERIAL AND FINISHES.
5. INSTALL BUILDING TAPE AND FIBERGLASS MESH TAPE AS INDICATED.

SGA Design Group, c.
 1437 South Boulder, Suite 600
 Tulsa, Oklahoma 74109
 T. 918.587.8901
 www.sgaesigngroup.com

STIPULATION FOR REUSE:
 THIS DRAWING AND ALL INFORMATION CONTAINED HEREIN IS THE PROPERTY OF SGA DESIGN GROUP. IT IS TO BE USED ONLY FOR THE PROJECT AND LOCATION SPECIFICALLY IDENTIFIED HEREIN. IT IS NOT TO BE REPRODUCED, COPIED, OR TRANSMITTED IN ANY FORM OR BY ANY MEANS, ELECTRONIC OR MECHANICAL, INCLUDING PHOTOCOPYING, RECORDING, OR BY ANY INFORMATION STORAGE AND RETRIEVAL SYSTEM, WITHOUT THE WRITTEN PERMISSION OF SGA DESIGN GROUP.

CONSULTANTS:

Walmart
CAMDEN, SC
 STORE NO: 0634-226
 172 PRD TO SC
 182011 - PHOTO
 2020 GENERAL REMODEL

ISSUE BLOCK

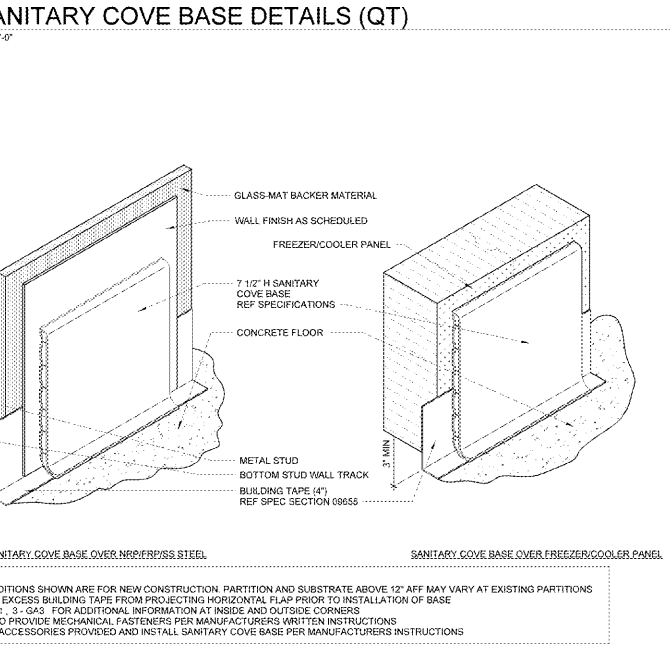
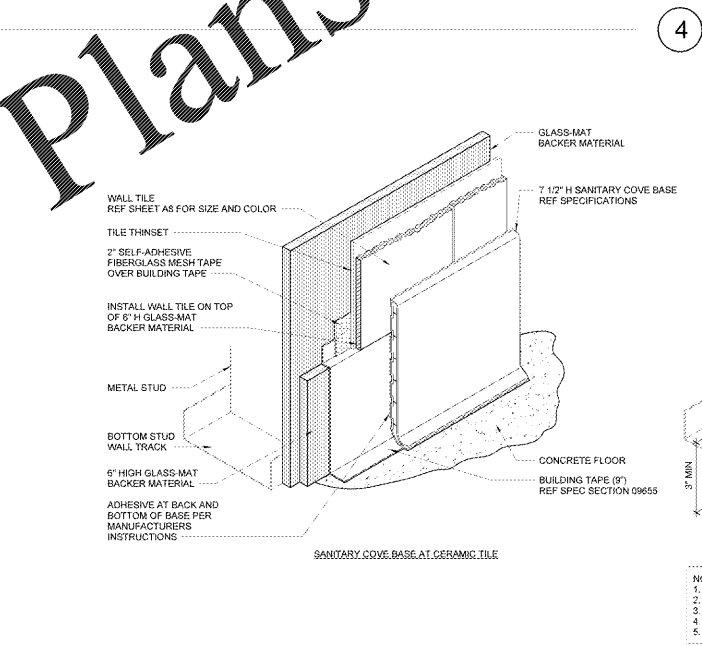
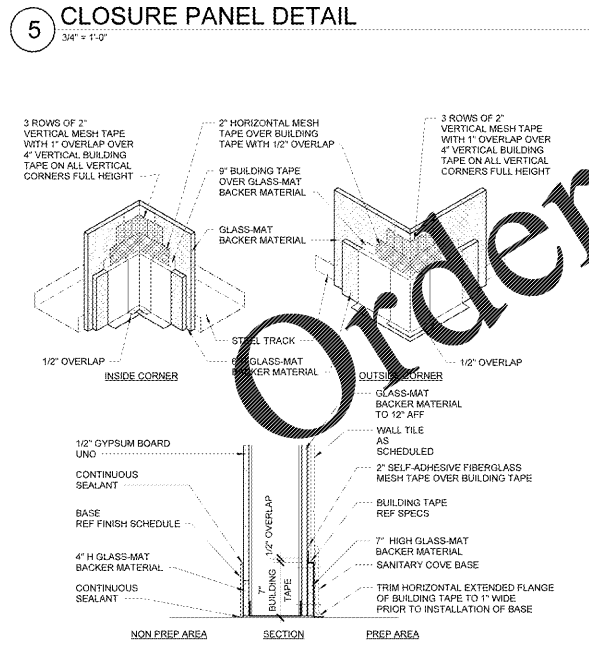
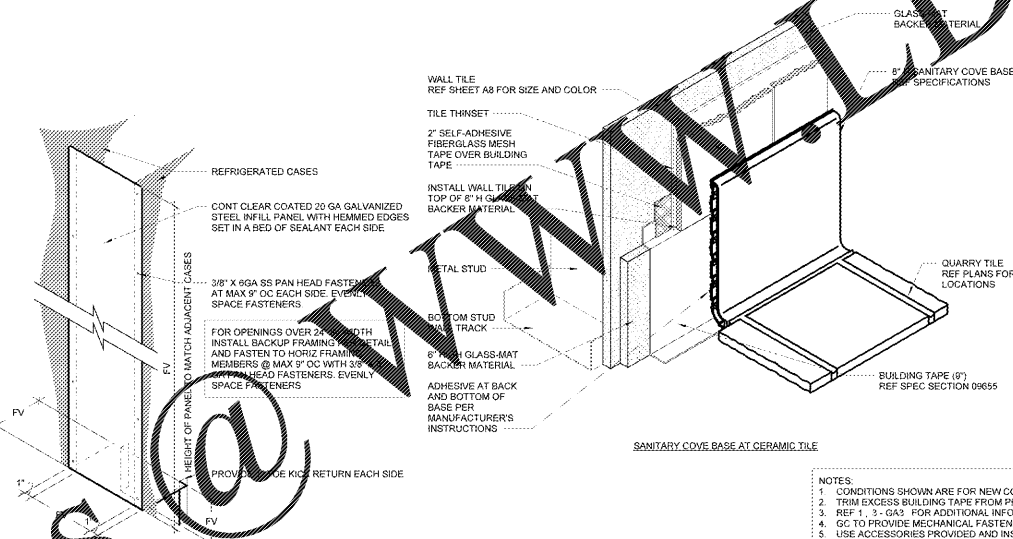
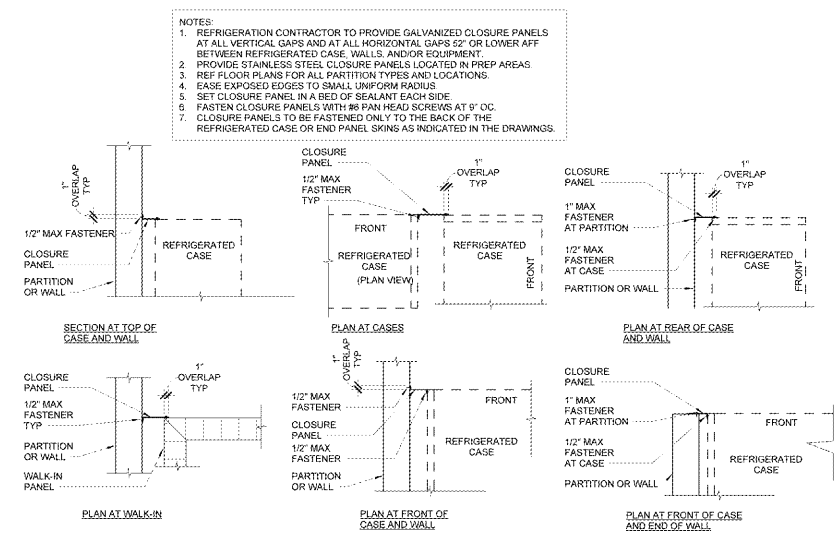
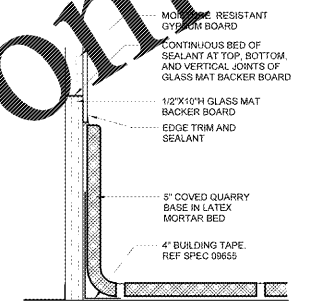
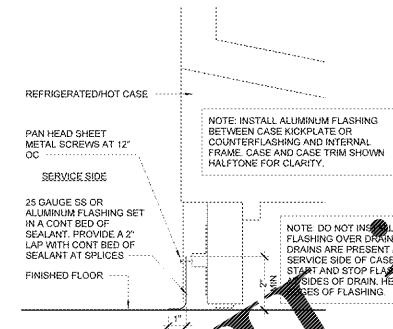
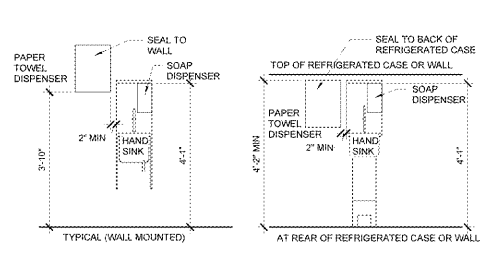
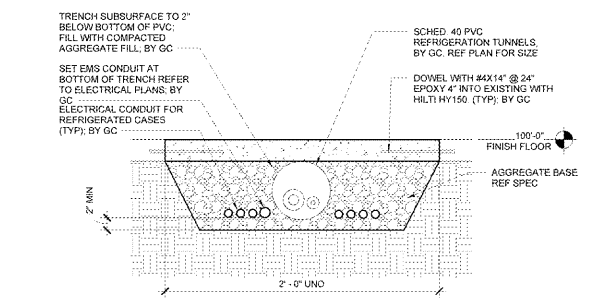
NO.	DESCRIPTION	DATE

CHECKED BY: AVTRO
DRAWN BY: MR
PROTO CYCLE: 10/25/19
DOCUMENT DATE: 12/18/19

THIS REDUCED COPY OF THIS DRAWING IS PROVIDED AT THE OPTION OF SGA DESIGN GROUP. THE ORIGINAL DRAWING IS PROVIDED FOR THE PURPOSE OF RECORDING CONDITIONS AND/OR TRACKING MANAGEMENT. THIS DRAWING SHALL NOT BE CONSIDERED FINAL OR COMPLETE UNLESS IT IS SIGNED AND SEALED BY THE PROJECT LEAD.

GROCERY DETAILS

SHEET: GA3



Order Plans

WWW.DIYLINE.COM

12/18/19 10:58 AM