

STIPULATION FOR REUSE  
THIS DRAWING AND ANY INFORMATION CONTAINED HEREIN IS THE PROPERTY OF SGA DESIGN GROUP, INC. IT IS TO BE USED ONLY FOR THE PROJECT AND SITE SPECIFICALLY IDENTIFIED HEREIN. IT IS NOT TO BE REPRODUCED, COPIED, REUSED, OR TRANSMITTED IN ANY FORM OR BY ANY MEANS, ELECTRONIC OR MECHANICAL, INCLUDING PHOTOCOPYING, RECORDING, OR BY ANY INFORMATION STORAGE AND RETRIEVAL SYSTEM, WITHOUT THE WRITTEN PERMISSION OF SGA DESIGN GROUP, INC.

CONSULTANTS

Walmart  
CAMDEN, SC  
STORE NO: 0834-226  
JOB NUMBER: 182011 | PROJECT: 172 PRD10 SC  
2020 GENERAL REMODEL

ISSUE BLOCK	

CHECKED BY: AVTRO  
DRAWN BY: MR  
PROTO CYCLE: 10/25/19  
DOCUMENT DATE: 12/18/19

THIS IS THE ORIGINAL COPY OF THIS DRAWING. IT IS TO BE USED ONLY FOR THE PROJECT AND SITE SPECIFICALLY IDENTIFIED HEREIN. IT IS NOT TO BE REPRODUCED, COPIED, REUSED, OR TRANSMITTED IN ANY FORM OR BY ANY MEANS, ELECTRONIC OR MECHANICAL, INCLUDING PHOTOCOPYING, RECORDING, OR BY ANY INFORMATION STORAGE AND RETRIEVAL SYSTEM, WITHOUT THE WRITTEN PERMISSION OF SGA DESIGN GROUP, INC.

PARTITION TYPES AND DETAILS

SHEET: A6.1

REFERENCE SIDE	OPPOSITE SIDE
WHERE NO CEILING IS INDICATED AND AT RATED WALLS, CONTINUE GYPSUM BOARD TO DECK UNO	
METAL STUDS	
USE 5/8" WATER RESISTANT GYPSUM BOARD AT WET AREAS	
A	
WHERE NO CEILING IS INDICATED AND AT RATED WALLS, CONTINUE GYPSUM BOARD TO DECK UNO	
METAL STUDS	
1/2" GLASS MAT BACKER MATERIAL	
WALL COVERING WHERE APPLICABLE	
S	

PARTITION LEGEND

DETAIL:

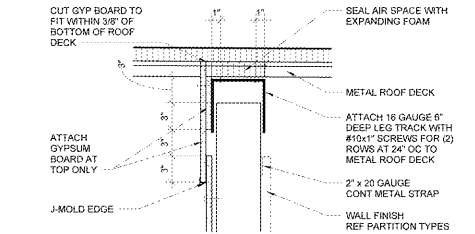
PLAN: LETTER INDICATES PARTITION TYPE REF PLANS AND SHEET NO. NUMBER INDICATES STUD HEIGHT OF ROOF DECK TYP NUMBER INDICATES STUD SIZE AS FOLLOWS:

REFERENCE SIDE	OPPOSITE SIDE
1 - 1 1/2" METAL	8 - 8" METAL
2 - 2 1/2" METAL	9 - 8" CMU
3 - 3 1/2" METAL	12 - 12" CMU

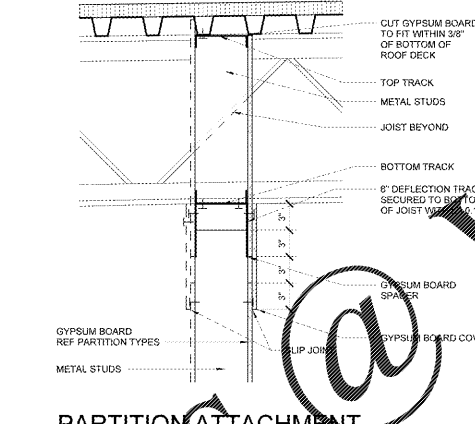
\*REF SPECS FOR STUD GAUGE AND SPACING

- 1 HOUR RATED GYPSUM BOARD (NEW) ULRU419, ULRU442, OR ULRU465
- 1 HOUR RATED CMU (NEW) ULRU935
- NON-RATED GYPSUM BOARD WALL (NEW)
- ACOUSTICAL INSULATION FULL WALL THICKNESS (NEW)
- CHAIN LINK FENCE (NEW)
- COOLER/FREEZER WALL (NEW)
- (NEW) 48" HIGH PLASTIC LAMINATE OR PROTECTIVE SURFACE WAINSCOT UNO
- EXISTING 1 HOUR RATED GYPSUM BOARD TO REMAIN
- EXISTING PARTITION OR WALL TO REMAIN
- CMU WALL (NEW)
- EXISTING WALL TO BE DEMOLISHED
- EXISTING CHAIN LINK FENCE
- EXISTING 48" HIGH PLYWOOD WAINSCOT WITH 3/4" WOOD BASE
- CHAIR RAIL FURNISHED BY WALMART, INSTALLED BY G.C.
- NON-RATED GYPSUM BOARD WALL (NEW) (GROCERY PREP AREAS) WITH SKL SEALER

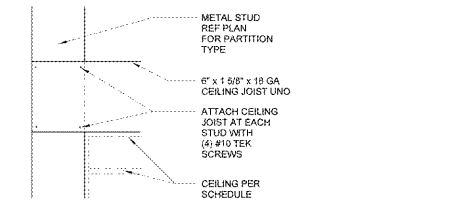
6 NON-RATED CAPTURE TRACK  
1 1/2" x 1-0"



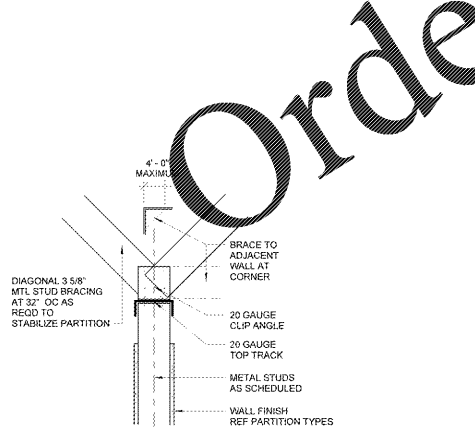
5 PARTITION ATTACHMENT AT PERPENDICULAR JOIST  
1 1/2" x 1-0"



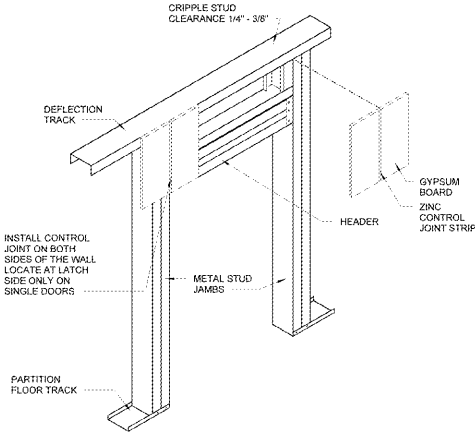
4 CEILING JOIST ATTACHMENT  
1 1/2" x 1-0"



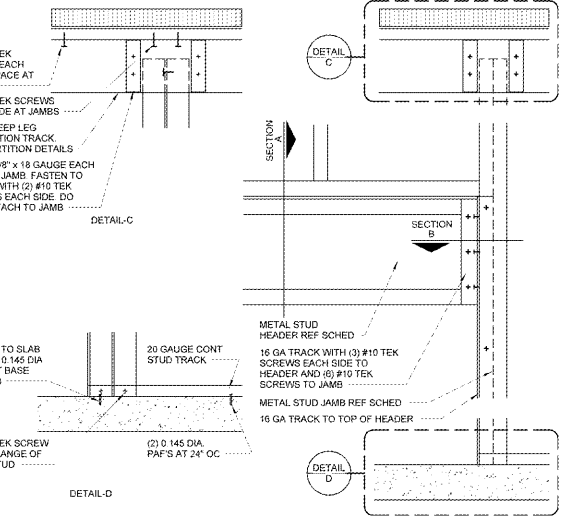
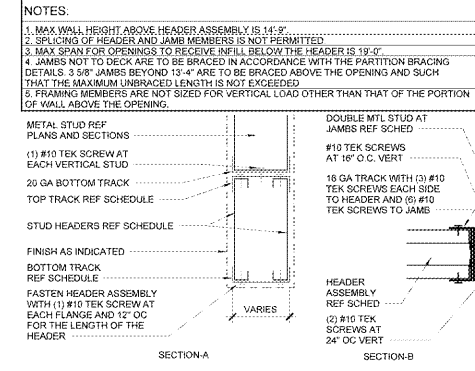
3 PARTITION BRACING  
1 1/2" x 1-0"



2 CONTROL JOINT AT DOOR JAMB  
12" x 1-0"



HEADER LENGTH	HEADER MEMBERS	HEADER TRACKS	JAMB STUDS
UP TO 4'-0"	(2) C3 5/8"x1 1/4"x20 GA	(2) C3 5/8"x20 GA	(2) C3 5/8"x1 1/4"x20 GA
UP TO 10'-0"	(2) C8x1 5/8"x18 GA	(2) C8x18 GA	(2) C8x1 5/8"x18 GA
OVER 10'-0" & UP TO 14'-0"	(2) C8x1 5/8"x18 GA	(2) C8x18 GA	(2) C8x1 5/8"x18 GA
OVER 14'-0" & UP TO 18'-0"	(2) C8x1 5/8"x18 GA	(2) C8x18 GA	(2) C8x1 5/8"x18 GA
OVER 18'-0" & UP TO 20'-0"	(2) C12x1 5/8"x18 GA	(2) C12x18 GA	(2) C8x1 5/8"x18 GA
OVER 20'-0" & UP TO 24'-0"	(2) C12x1 5/8"x18 GA	(2) C12x18 GA	(2) C8x1 5/8"x18 GA



1 HEADER CONNECTION DETAIL  
1 1/2" x 1-0"

Order Plans @ www.LDILine.com

18/11/2019 10:58:10 AM \\sqa\apps\19\_2019\182011\182011.dwg (A6) (Sheet) (1/1) (1/1)