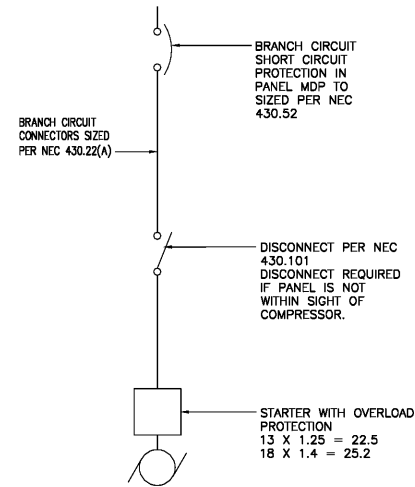
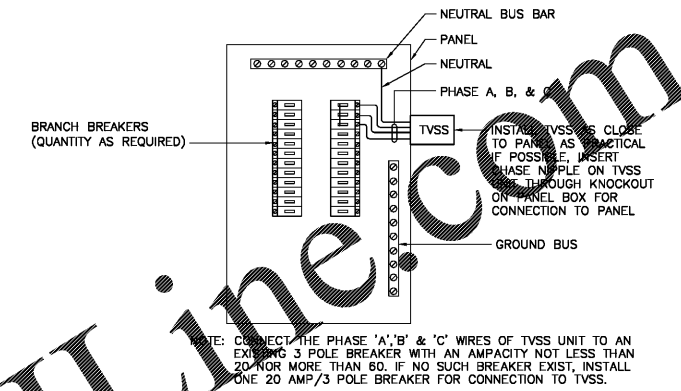


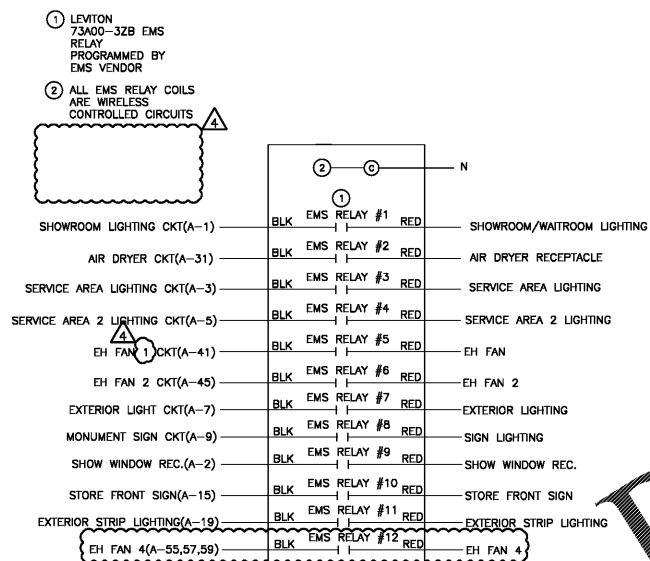
1 LIFT MOTOR WIRING DIAGRAM
NO SCALE



2 AIR COMPRESSOR WIRING DETAIL
NO SCALE



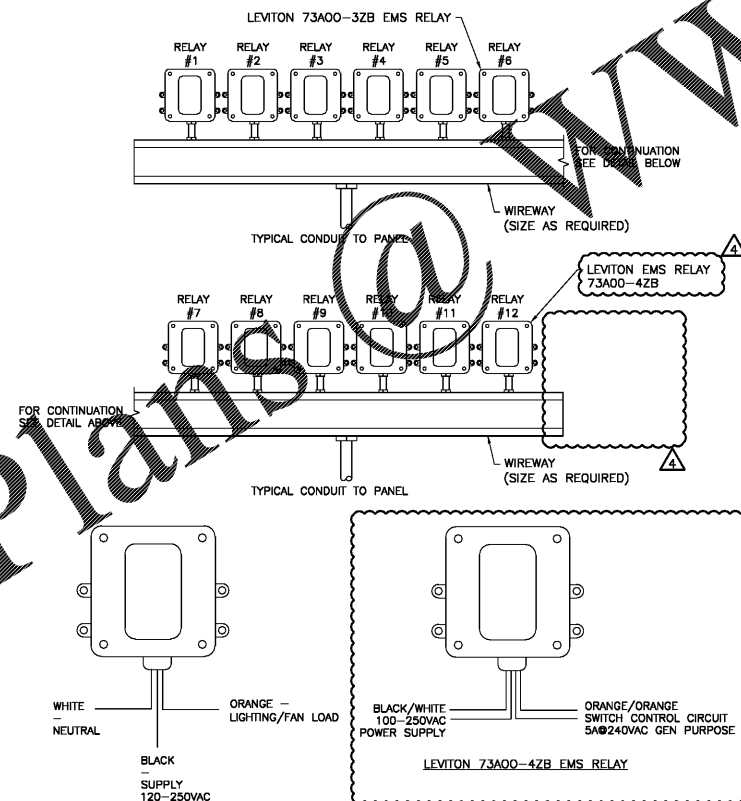
3 TVSS WIRING DIAGRAM - MAIN PANEL
NO SCALE



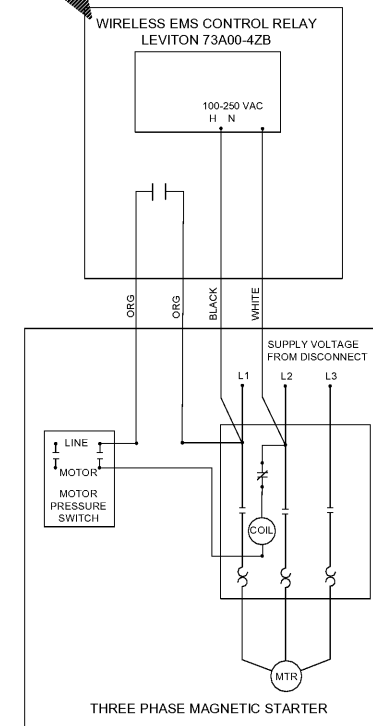
EMS SYSTEM NOTES

- CONTRACTOR TO VERIFY QUANTITY OF RELAYS WITH OWNER
- ALL RELAYS TO BE MOUNTED IN AN ACCESSIBLE LOCATION FOR SERVICE AND MANUAL OVERRIDE.
- INSTALLATION SHALL FOLLOW ALL LOCAL AND STATE CODES
- GIVE CONSIDERATION TO OTHER LOADS BEING MOUNTED AS NOT TO PLACE THEM WHERE INTERFERENCE CAN DISRUPT THE SYSTEM. FOR PROPER OPERATION.
- IF/AC CONTRACTOR PROVIDE 24V CONTROL WIRE AT THERMOSTAT LOCATION
- EXTERIOR LIGHTING SHALL BE PROVIDED WITH DIMMER MODULE TO REDUCE POWER BY 30 PERCENT TO MEET FLORIDA ENERGY CODE. COORDINATE WITH MANUFACTURER.

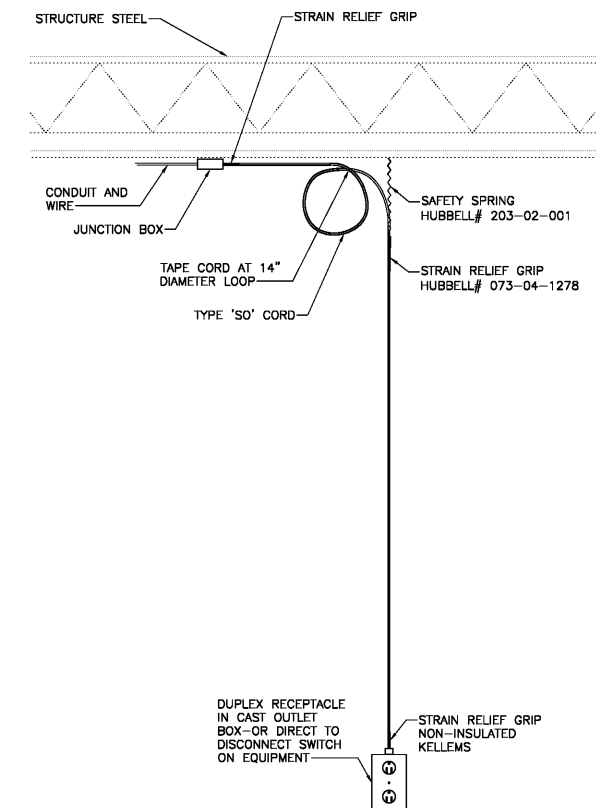
4 TYPICAL EMS RELAY WIRING
NO SCALE



6 TYPICAL EMS LIGHTING & FAN DETAIL
NO SCALE



7 TYPICAL EMS COMPRESSOR DETAIL
NO SCALE



7 TYPICAL DROP CORD TO RECEPTACLE
NO SCALE

