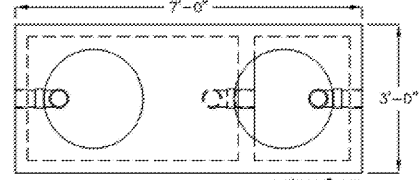
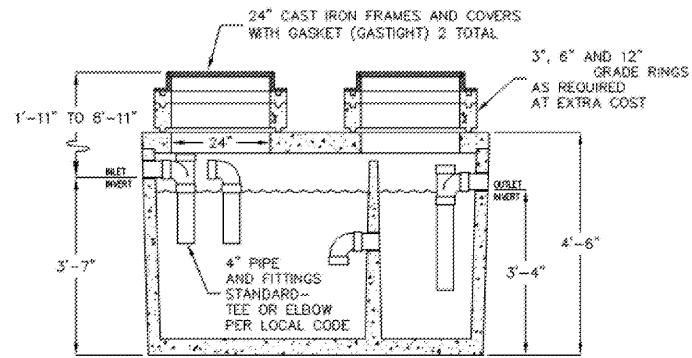


**320 GALLON
SAND-OIL INTERCEPTOR**



TOP VIEW
(COVERS & RINGS REMOVED)



SIDE SECTION VIEW

OPERATING CAPACITY: 320 GALLONS.

DESIGN LOAD: H-20 TRAFFIC WITH DRY SOIL CONDITIONS (WATER LEVEL BELOW TANK) AND 1'-8" EARTH COVER.

BEDDING NOTE: SUITABLE SUB-BASE BEDDED WITH GRANULAR MATERIAL SHALL BE PREPARED TO HANDLE ANTICIPATED LOADS.

MINIMUM EXCAVATION
4'-0" x 8'-0"
x REQ'D DEPTH

GARAGE AREA: 357 SQFT
REQUIRED SEPARATOR SIZE IS 6 CUBIC FT FOR FIRST 100 SQFT PLUS 1 CUBIC FT PER ADDITIONAL 100 SQFT OF SPACE.
6 FT³ + (2400/100) FT³ + 30 FT³ OF VOLUME REQUIRED
1 FT³ = 7.5 GALLONS
41 FT³ = 304 GALLONS OF VOLUME REQUIRED
CONSULT LOCAL AUTHORITIES FOR MINIMUM SIZE OF SEPARATORS

NOTE:
1. PROTECT ALL METAL SURFACES INSIDE AND OUTSIDE WITH AN APPROVED CORROSION RESISTANT COATING.
2. UNIT VOLUME SHALL NOT BE LESS THAN 41 CU.FT. HOLDING CAPACITY.

CONTRACTOR TO INSTALL OIL SEPARATOR PER LOCAL MUNICIPALITY CODE REQUIREMENTS AND PER MANUFACTURERS INSTRUCTIONS.

CONTRACTOR TO SPECIFY OIL SEPARATOR TO MEET LOCAL MUNICIPALITY CODE REQUIREMENTS. COORDINATE WITH ARCHITECTURAL.

DIVISION 15400 - PLUMBING

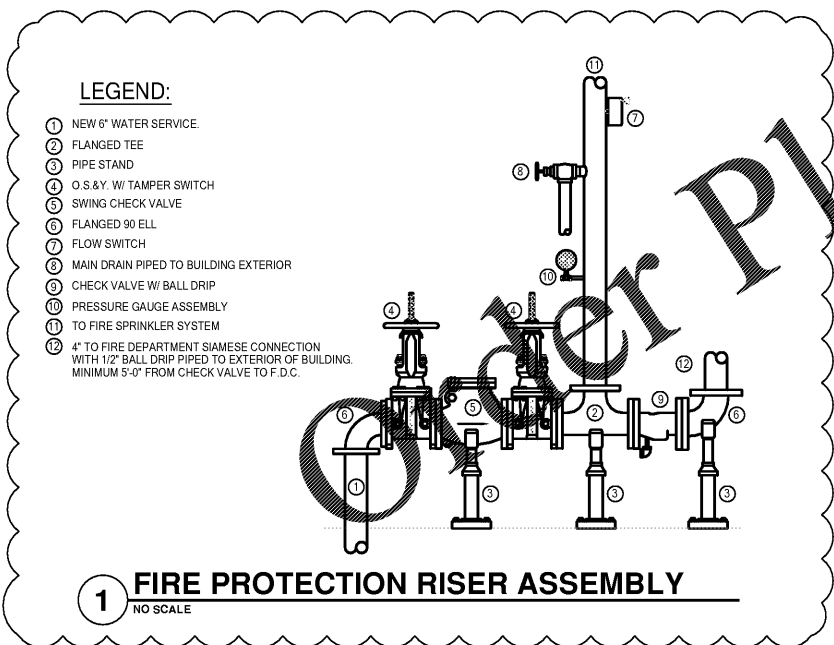
SECTION 15401 - SUMMARY OF WORK

A. THIS CONTRACTOR SHALL FURNISH, INSTALL AND TEST ALL NECESSARY MATERIAL FOR A COMPLETE OPERATING PLUMBING SYSTEM. IT IS THE RESPONSIBILITY OF THE CONTRACTOR TO DETERMINE THE LOCATION OF THE EXISTING WATER, VENT AND DRAIN LINES TO MAKE CONNECTIONS IN ORDER TO COMPLETE THE WORK AS SHOWN ON THE PLANS. ALL MATERIAL SHALL BE NEW AND SHALL BE INSTALLED FOR PROPER ACCESS FOR SERVICING. ANY ACCESS PANELS NECESSARY FOR SERVICING EQUIPMENT SHALL BE FURNISHED AND INSTALLED BY THIS CONTRACTOR.

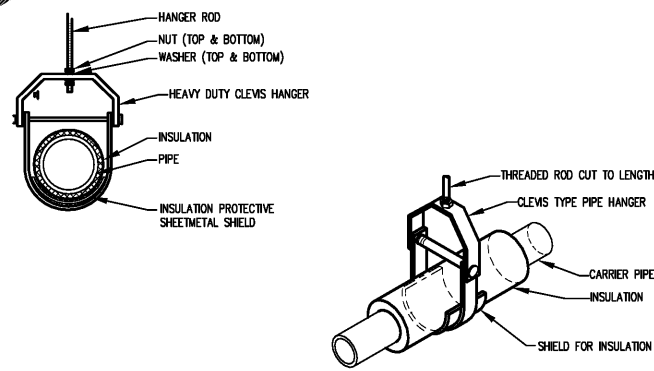
SECTION 15402 - MATERIALS

- A. THE PLUMBING FIXTURE SCHEDULE IS SHOWN ON PLANS. ALL MATERIAL SHALL BE INSTALLED ACCORDING TO THE MANUFACTURERS INSTALLATION INSTRUCTIONS.
- B. SANITARY WASTE AND VENT PIPING
1. ALL WASTE, VENT AND DRAIN PIPING SHALL BE SERVICE WEIGHT CAST IRON OR SCHEDULE 40 STEEL AS ALLOWED BY LOCAL CODE. ALL PIPING LOCATED IN A PLENUM OR ATTIC SHALL BE CAST IRON WITH NO-HUB FITTINGS.
 2. CONDENSATE PIPING FROM R-U'S SHALL BE TYPE "L" HARD DRAWN COPPER TUBE. INSULATE CONDENSATE PIPING INSIDE THE BUILDING WITH INSULATION WRAP AND ADD COVERING.
- POTABLE WATER PIPING
- A. UNDER SLAB DOMESTIC WATER PIPING SHALL BE TYPE "K" COPPER PIPE WITH JOINTS BELOW SLAB.
- B. ALL ABOVE GRADE DOMESTIC WATER PIPING SHALL BE TYPE "L" HARD DRAWN COPPER TUBE WITH SWEAT JOINTS. ALL PIPING CONNECTIONS WITH DISSIMILAR METALS SHALL HAVE DI-ELECTRIC CONNECTIONS.
- C. ALL HOT WATER, COLD WATER AND INTERIOR CONDENSATE PIPING WITH 1" THICK (K=0.23 @ 75 F) PIPE INSULATION WITH AN ALL SERVICE JACKET TO MEET LOCAL CODE R-V VALUES AND UL FLAME SPREAD AND SMOKE DEVELOPED RATINGS. OWENS-CORNING OR EQUAL TRUEBRO MODEL 102W WHITE INSULATION KIT SHALL BE INSTALLED ON ALL TRAPS AND SUPPLY LINES BELOW LAVATORIES TO MEET ADA.
- D. THE CONTRACTOR SHALL PROVIDE BALL VALVES IN THE SUPPLY PIPING TO EVERY FIXTURE FOR SERVICING. CONTRACTOR SHALL FURNISH AND INSTALL ACCESS PANELS WHERE NECESSARY FOR PROPER SERVICING.
- E. MAXIMUM PIPE SUPPORT SPACING OF 5 FEET FOR COPPER AND STEEL PIPING. PVC PIPING SHALL BE SUPPORTED AT INTERVALS ACCORDING TO CODE. CONTRACTOR SHALL PROVIDE NECESSARY SEISMIC BRACING WHERE REQUIRED BY LANDLORD CRITERIA, CODE AND LOCAL AUTHORITIES.
- F. THE CONTRACTOR SHALL STERILIZE NEW AND EXISTING WATER SYSTEM AS REQUIRED BY LOCAL CODES. CONTRACTOR SHALL INSTALL ANY ADDITIONAL SERVICE VALVES NEEDED IN ORDER TO ISOLATE SYSTEM FOR STERILIZING THE WATER SYSTEM.
- G. CONTRACTOR SHALL PROVIDE CHROME PLATED ESCUTCHEONS AT ALL EXPOSED PIPE PENETRATIONS IN FINISHED SPACES.
- H. FLOOR DRAINS WITH DEEP SEAL TRAPS REQUIRED. INSTALL TRAP PRIMERS IN ALL FLOOR DRAINS WHERE REQUIRED BY LOCAL AUTHORITY AND LOCAL CODES. LOCATE CLEAN-OUTS IN WALLS AND FLOORS AS REQUIRED TO MEET LOCAL CODES.
- I. CONTRACTOR SHALL PERFORM ALL PIPING PRESSURE/LEAK TESTS AS REQUIRED BY LOCAL CODES. ALL ROOF FLASHING SHALL BE SEALED WATER TIGHT.
- J. ANY ROOF WORK MUST BE DONE BY THE ROOFING CONTRACTOR IN ORDER TO MAINTAIN THE ROOF WARRANTY. ALL COSTS FOR ROOF WORK MUST BE INCLUDED IN THE BID.
- K. CONTRACTOR SHALL FURNISH AND INSTALL WATER METER AND REMOTE READER AS REQUIRED BY LOCAL UTILITIES REQUIREMENTS.
- L. SIOUX CHIEF 850 SERIES ALL STAINLESS STEEL OR J.R. SMITH HYDROTROLS SHOCK ABSORBERS SHALL BE INSTALLED IN BOTH HOT AND COLD LINES OF PIPING SYSTEM TO PREVENT NOISE AND DAMAGE DUE TO WATER HAMMER. SHOCK ABSORBERS SHALL BE INSTALLED ACCORDING TO THE MANUFACTURERS INSTALLATION INSTRUCTIONS.

3 OIL SEPERATOR DETAIL
NO SCALE



1 FIRE PROTECTION RISER ASSEMBLY
NO SCALE



2 PIPE HANGER DETAIL
NO SCALE

CONSULTANT:
WILKUS ARCHITECTS
15 North Avenue North, Hopkins, MN 55343
Phone: 952.941.8960 www.wilusarch.com
FLORIDA BOARD OF ARCHITECTS
CERTIFICATE OF AUTHORIZATION
#AA2003030 EXPIRES 02/29/21

CLIENT:
TBC CORPORATION
4300 TBC WAY
PALM BEACH GARDENS, FL 33410

PROTOTYPE TEMPLATE:
"NORTHLAKE"
v.2019.1.08
MODIFIED EXTERIOR

PROJECT INFORMATION:
TIRE KINGDOM
STORE 937
SEC TAMIAMI TRAIL & SUMTER CROSSING DR
NORTH PORT, SARASOTA CNTY, FLORIDA

BID SET
01/10/2020

PROJECT NO.: 2018-1035
DRAWN BY: CH
CHECKED BY: PR

ISSUE	DATE
PERMIT PLAN REVIEW	22-JUL-2019
BID SET	09-DEC-2019
REVISION	DATE
01 DESIGN UPDATES	15-AUG-2019
04 DESIGN UPDATES	20-DEC-2019

SHEET TITLE:
PLUMBING DETAILS & SPECIFICATIONS

SHEET NUMBER:
P-5